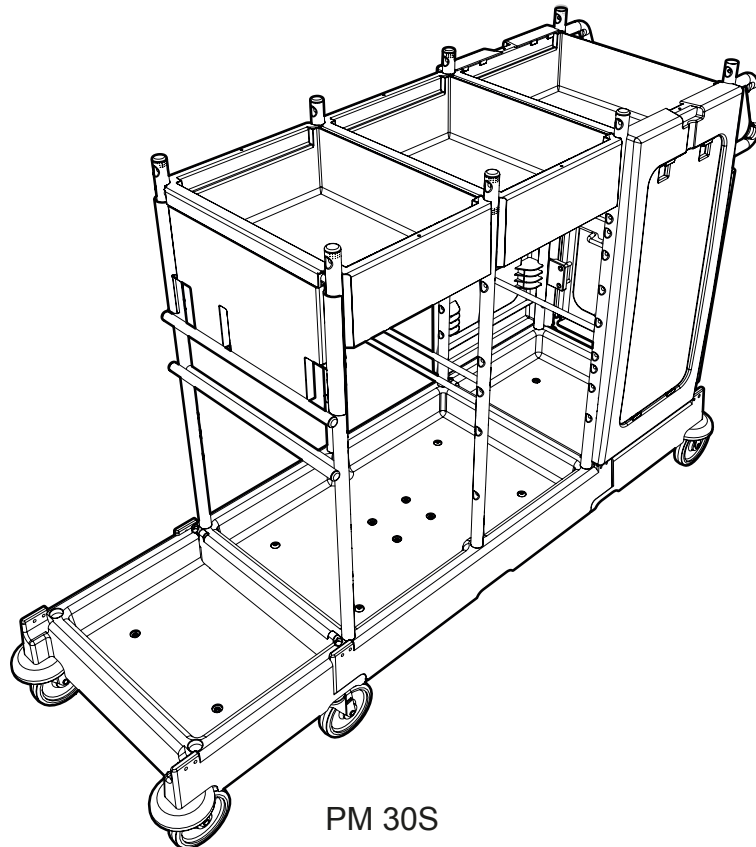
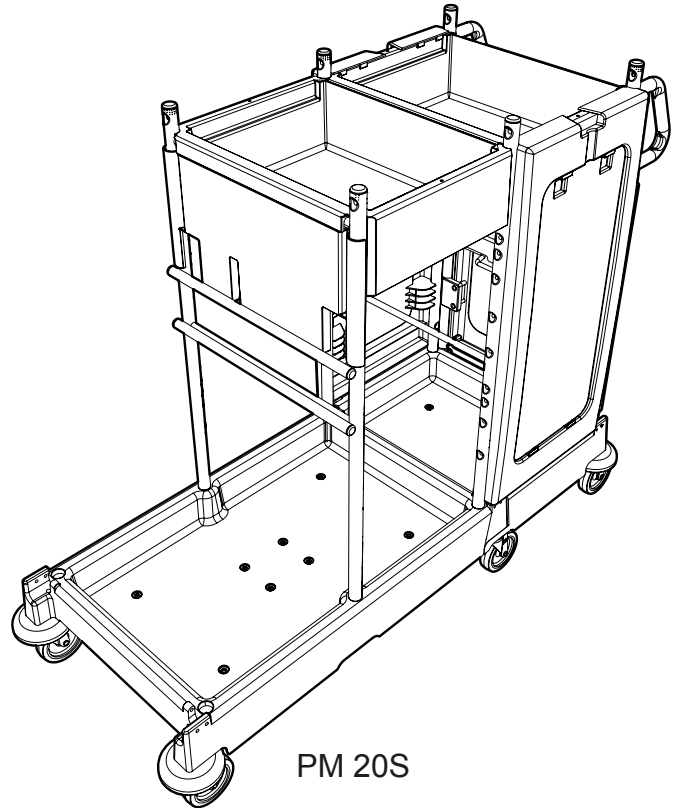
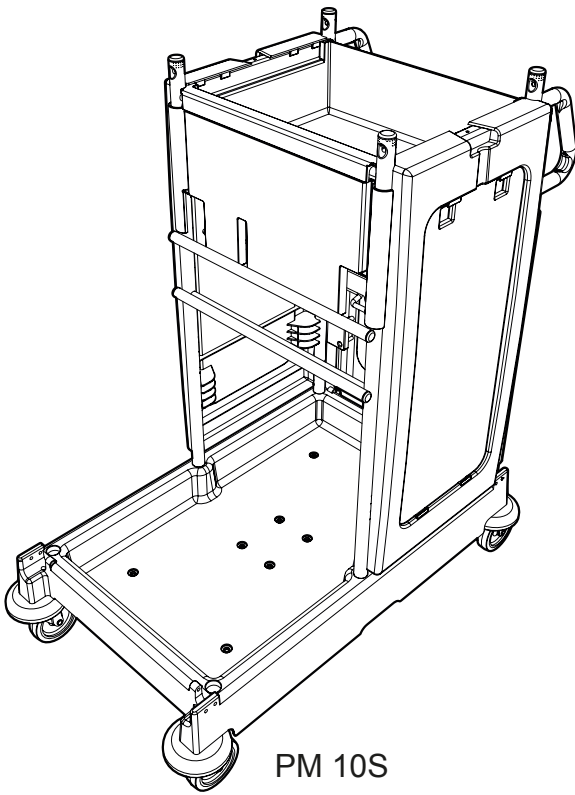
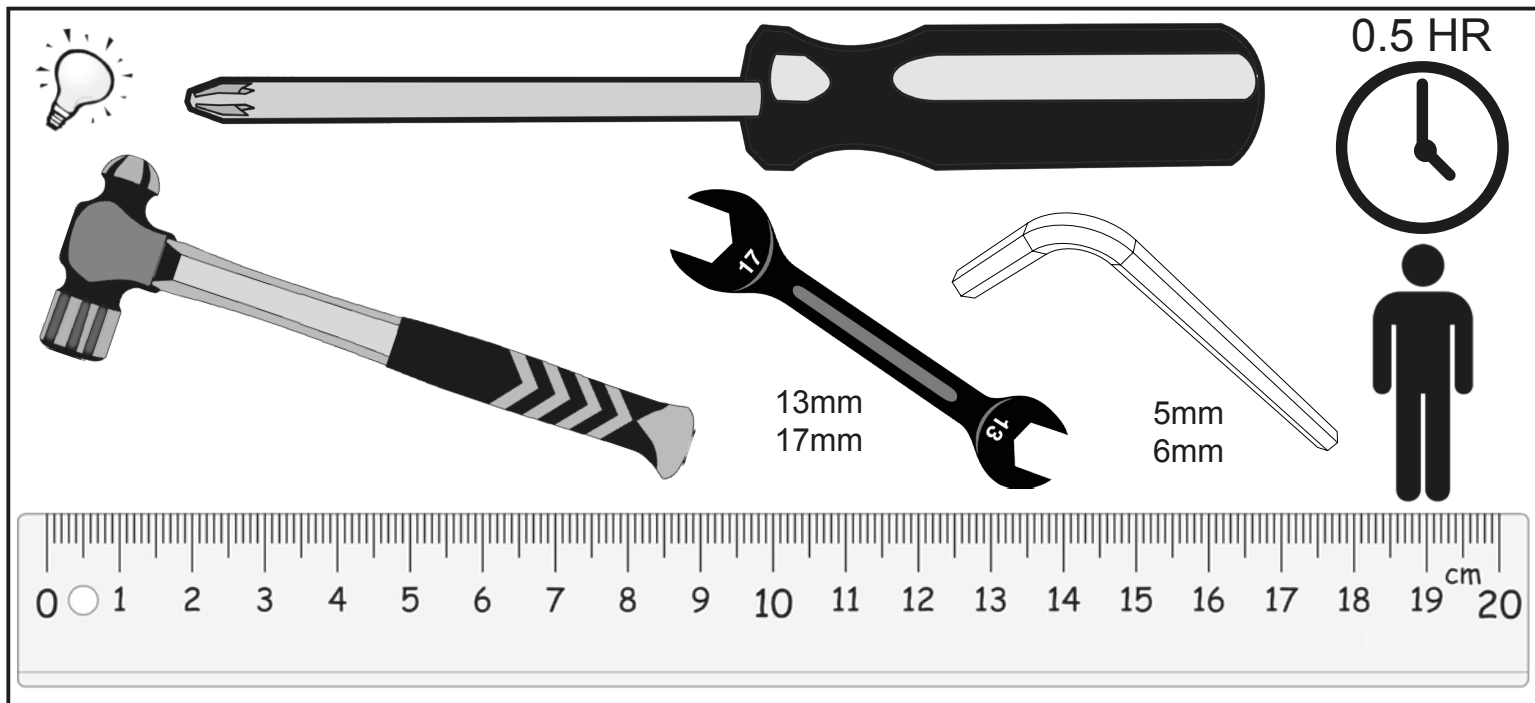


NUMATIC TROLLEY

Configuration Assembly

PM 10S,11S,12S. PM 20S, 21S, 22S. PM 30S,31S,32S.





Pro-Matic Trolley Kits

ITEM	Stainless Steel	PM-10 DESCRIPTION	QTY
1	910011	COMPACT BASE MOULDING BLACK	1
2	910012	CLIP ON TRAY MOULDING (PLAIN) BLACK	1
3	910013	SIDE PANEL MOULDING (BLACK)	2
4	910014	FRONT PANEL MOULDING (BLACK)	1
5	910016	PROMATIC(NUCARE) LIDSET BLACK	1
6	909263	REAR UPRIGHT FRAME	1
7	908692	RUBBER STOP	1
8	219054	M5.20MM LG.POZI-PAN.SCREW.Z/PL	1
9	908635	BAG FRAME WELDED ASSEMBLY	1
10	908631	FRONT UPRIGHT FRAME	1
11	908613	HINGE BLOCK MOULDING	2
12	219601	NO8.3/8 IPMH LG.POZI-PAN.SCREW.Z/PL.PLASTITE	8
13	908701	REAR DOOR ASSEMBLY	1
14	223399	PRESS 'C' CLIP MOULDING(BLACK)	1
15	910019	BAG SPLITTER MOULDING (BLACK)	1
16	909097	KIT SC 909097 (NO EXTRA SCREWS)	1
17	908230	70-LITRE GREY WASTE BAGS	2
18	908229	120-LITRE GREY WASTE BAGS	1

ITEM	Stainless Steel	Kit SRK 35S DESCRIPTION	QTY
1	910035	BASE EXTENSION MOULDING BLACK	1
2	908730	CENTRAL UPRIGHT FRAME	1
3	910012	CLIP ON TRAY MOULDING (PLAIN) BLACK	1
4	909099	KIT SC909093	1

ITEM	Stainless Steel	Kit SRK 36S DESCRIPTION	QTY
1	908633	CENTRAL UPRIGHT	1
2	910035	BASE EXTENSION MOULDING BLACK	1
3	910012	CLIP ON TRAY MOULDING (PLAIN) BLACK	1
4	909099	KIT SC909093	1

ITEM	Stainless Steel	PM - 12 DESCRIPTION	QTY
1	910011	COMPACT BASE MOULDING BLACK	1
2	910012	CLIP ON TRAY MOULDING (PLAIN) BLACK	2
3	910013	SIDE PANEL MOULDING (BLACK)	4
4	910016	PROMATIC RECYCLED LIDSET BLACK	2
5	909262	BAG FRAME / DOOR ASSEMBLY	2
6	909167	CENTRAL UPRIGHT FRAME	1
7	909263	REAR UPRIGHT FRAME	1
8	909260	REAR UPRIGHT FRAME	1
9	910019	BAG SPLITTER BLACK	2
10	909455	KIT SC909455	1
11	908230	70-LITRE GREY WASTE BAGS	4
12	908229	120-LITRE GREY WASTE BAGS	2

ITEM	Stainless Steel	Kit SRK 42S DESCRIPTION	QTY
1	908641	CENTRAL UPRIGHT FRAME	1
2	910012	CLIP ON TRAY MOULDING (PLAIN) BLACK	1
3	909103	KIT SC (SCREWS)	1

ITEM	Stainless Steel	Kit SRK 43S DESCRIPTION	QTY
1	908633	CENTRAL UPRIGHT	1
2	910012	CLIP ON TRAY MOULDING (PLAIN) BLACK	1
3	909103	KIT SC (SCREWS)	1

ITEM	Stainless Steel	Kit SRK 44S DESCRIPTION	QTY
1	908626	CENTRAL UPRIGHT FRAME WELDED ASSEMBLY	1
2	910012	CLIP ON TRAY MOULDING (PLAIN) BLACK	1
3	909103	KIT SC	1

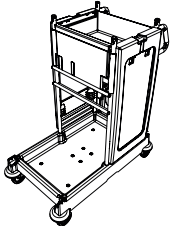
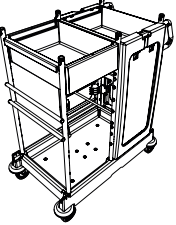
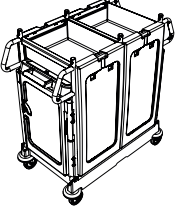
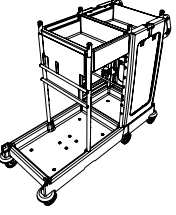
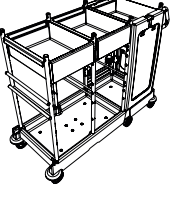
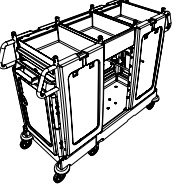
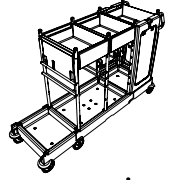

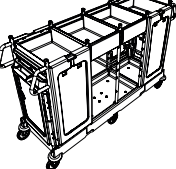
ITEM	Part Number	Kit SRK 26 DESCRIPTION	QTY
1	909426	DOOR "A" ASSEMBLY	1
2	909428	DOOR "B" ASSEMBLY	1
3	909429	KIT SC 909429 (WITH EXTRA SCREW)	1

Assembly Instructions.

PM 10S, PM 11S, PM 12S, PM 20S, PM 21S, PM 22S, PM 30S, PM 31S, PM 32S.

AT (All Terrain) Wheel Fitting - Pages 8 - 11

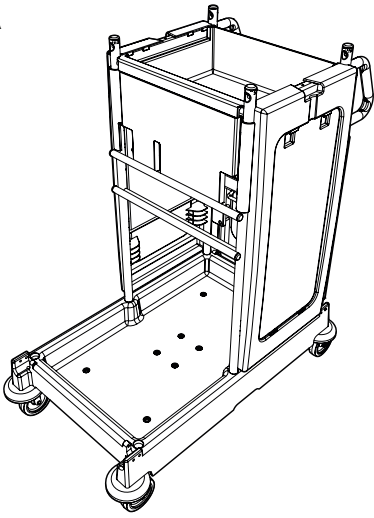
Assembly

PM10S		=	<div style="border: 1px solid black; padding: 5px; width: fit-content;"> <p>Box A PM10S See Page 5 for Kit contents</p> </div>			Page 11 - 13				
PM11S		=	<div style="border: 1px solid black; padding: 5px; width: fit-content;"> <p>Box A PM10S See Page 5 for Kit contents</p> </div>	+	<div style="border: 1px solid black; padding: 5px; width: fit-content;"> <p>Box E Kit SRK 42S See Page 5 for Kit contents</p> </div>		Page 14 - 17			
PM12S		=	<div style="border: 1px solid black; padding: 5px; width: fit-content;"> <p>Box B PM12S See Page 5 for Kit contents</p> </div>				Page 17 - 21			
PM20S		=	<div style="border: 1px solid black; padding: 5px; width: fit-content;"> <p>Box A PM10S See Page 5 for Kit contents</p> </div>	+	<div style="border: 1px solid black; padding: 5px; width: fit-content;"> <p>Box C Kit SRK 35S See Page 5 for Kit contents</p> </div>		Page 21 - 26			
PM21S		=	<div style="border: 1px solid black; padding: 5px; width: fit-content;"> <p>Box A PM10S See Page 5 for Kit contents</p> </div>	+	<div style="border: 1px solid black; padding: 5px; width: fit-content;"> <p>Box C Kit SRK 35S See Page 5 for Kit contents</p> </div>	+	<div style="border: 1px solid black; padding: 5px; width: fit-content;"> <p>Box F Kit SRK 43S See Page 5 for Kit contents</p> </div>	Page 26 - 31		
PM22S		=	<div style="border: 1px solid black; padding: 5px; width: fit-content;"> <p>Box B PM12S See Page 5 for Kit contents</p> </div>	+	<div style="border: 1px solid black; padding: 5px; width: fit-content;"> <p>Box C Kit SRK 35S See Page 5 for Kit contents</p> </div>		Page 31 - 37			
PM30S		=	<div style="border: 1px solid black; padding: 5px; width: fit-content;"> <p>Box A PM10S See Page 5 for Kit contents</p> </div>	+	<div style="border: 1px solid black; padding: 5px; width: fit-content;"> <p>Box C Kit SRK 35S See Page 5 for Kit contents</p> </div>	+	<div style="border: 1px solid black; padding: 5px; width: fit-content;"> <p>Box D Kit SRK 36S See Page 5 for Kit contents</p> </div>	Page 37 - 43		
PM31S		=	<div style="border: 1px solid black; padding: 5px; width: fit-content;"> <p>Box A, PM10S See Page 5 for Kit contents</p> </div>	+	<div style="border: 1px solid black; padding: 5px; width: fit-content;"> <p>Box C Kit SRK 35S See Page 5 for Kit contents</p> </div>	+	<div style="border: 1px solid black; padding: 5px; width: fit-content;"> <p>Box D Kit SRK 36S See Page 5 for Kit contents</p> </div>	+	<div style="border: 1px solid black; padding: 5px; width: fit-content;"> <p>Box G Kit SRK 44S See Page 5 for Kit contents</p> </div>	Page 44 - 50
PM32S		=	<div style="border: 1px solid black; padding: 5px; width: fit-content;"> <p>Box B, PM12S See Page 5 for Kit contents</p> </div>	+	<div style="border: 1px solid black; padding: 5px; width: fit-content;"> <p>Box C Kit SRK 35S See Page 5 for Kit contents</p> </div>	+	<div style="border: 1px solid black; padding: 5px; width: fit-content;"> <p>Box D Kit SRK 36S See Page 5 for Kit contents</p> </div>		Page 50 - 58	

Kit Identifier

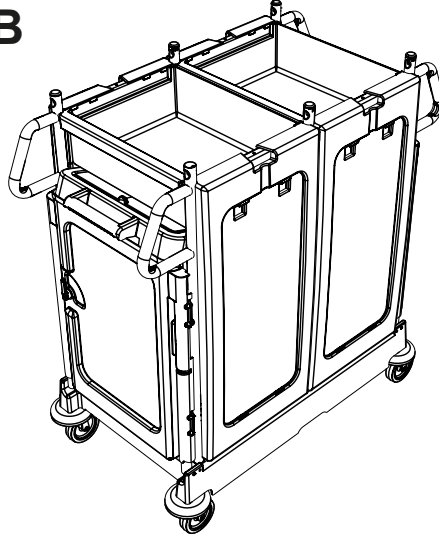
A = PM 10S.

A



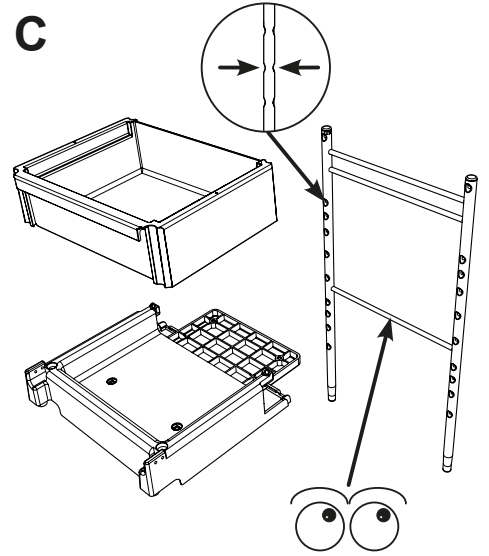
B = PM 12S.

B



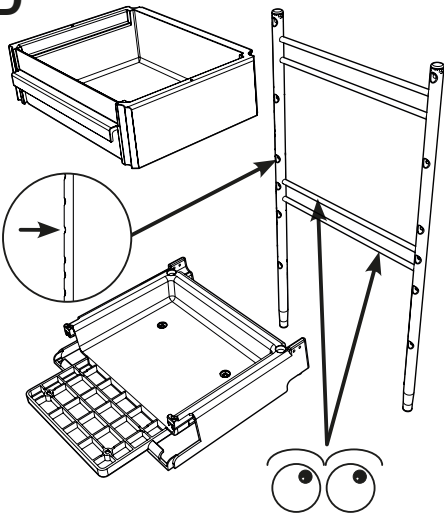
C = Rear Base Extension Kit SRK 35S

C



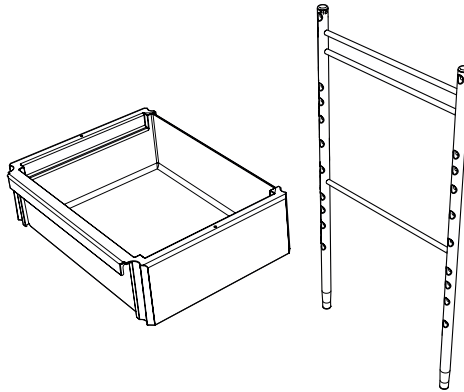
D = Front Storage Kit SRK 36S

D



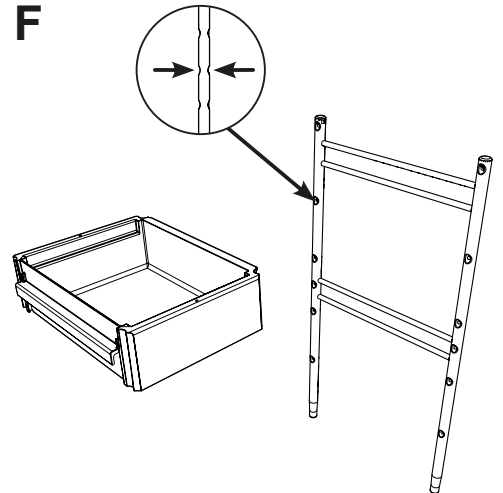
E = Front Storage Kit SRK 42S

E



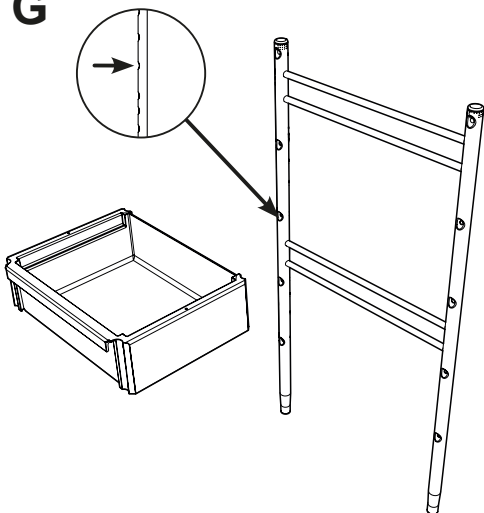
F = Front Storage Kit SRK 43S

F



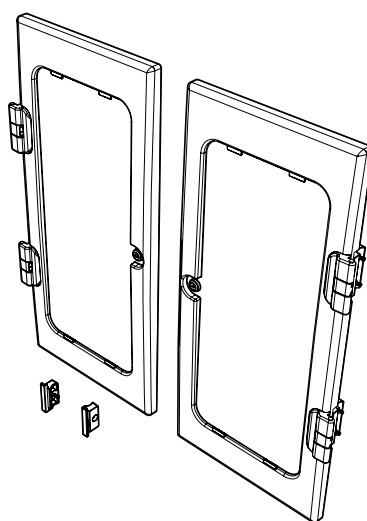
G = Front Storage Kit SRK 44S

G

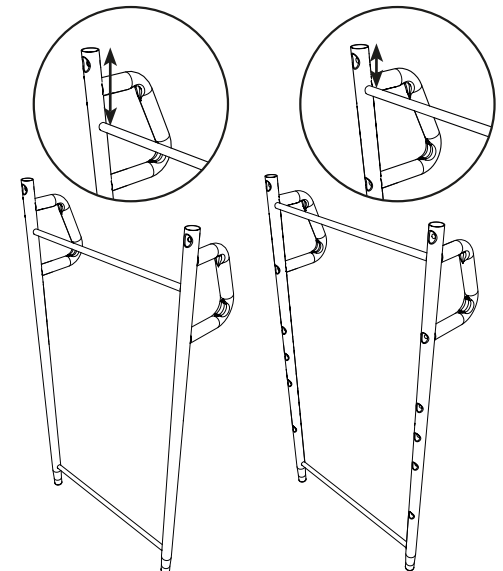


H = Pro-Matic Door Kit SRK 26

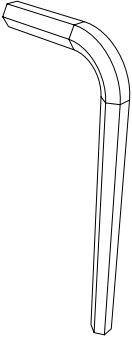
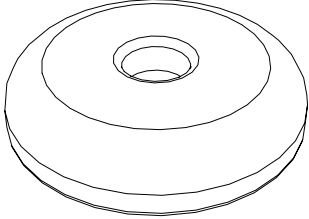
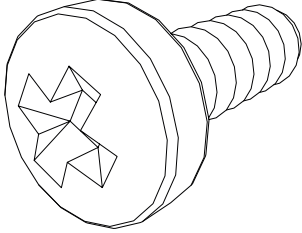
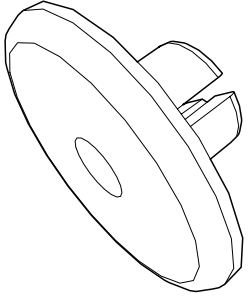
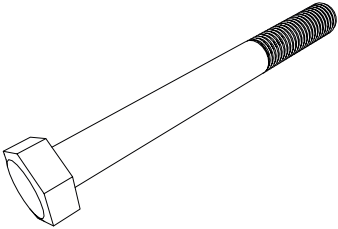
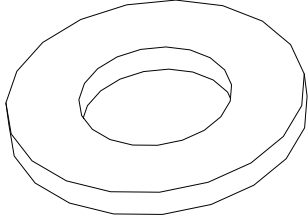
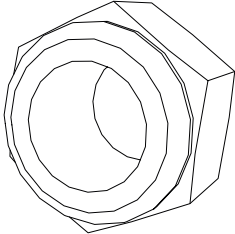
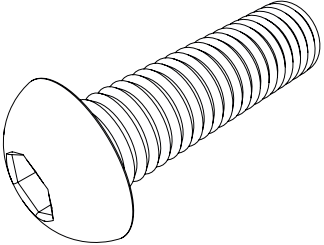
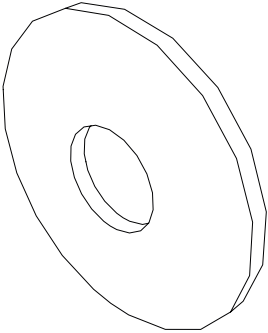
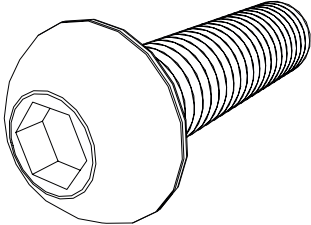
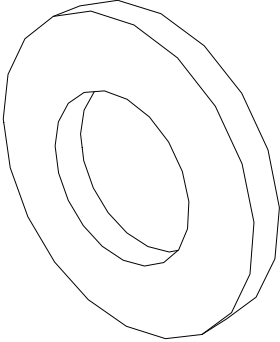
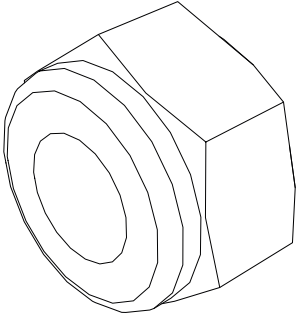
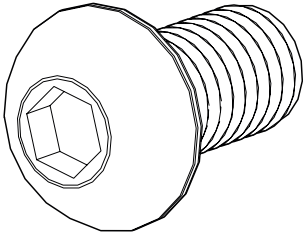
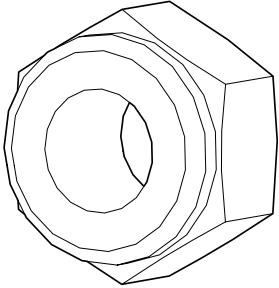
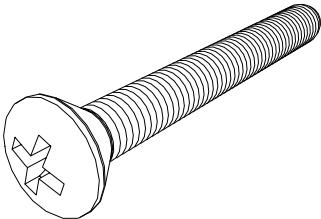
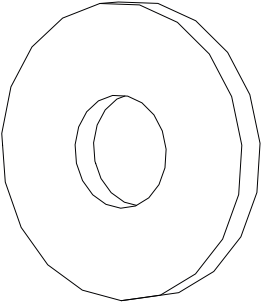
H



Low Bar / High Bar Handles

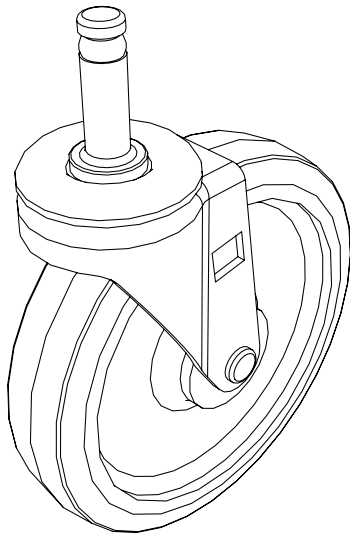


Pro Matic Parts

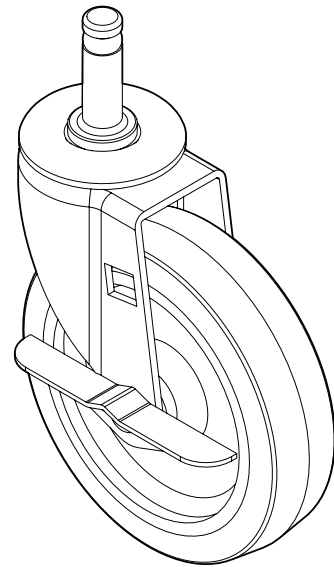
219554 x 1	227479	219851 No12 x 3/4 Inch	223548 Buffer Plug
			
291123 M8x75 Hex Head	219578 M8 Form A	291070 M8 Nylon Insert	291067 M8 X 25
			
291068 M8	909100 M10x40	219903 M10 Form A	219897 M10 Nylon Insert
			
909243 M10x20	219897 M10 Nylon Insert	219825 No8x1 1/2 Inch	291118 M6 Form G
			

Pro-Matic Wheels & Castors

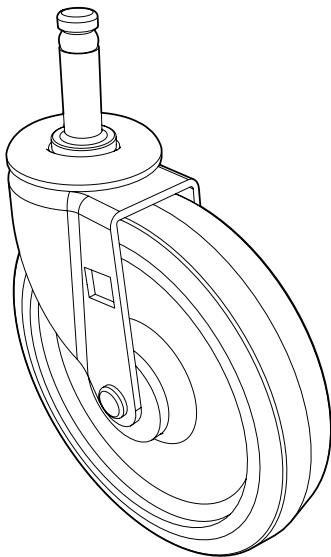
204062 - 100mm Castor x 1



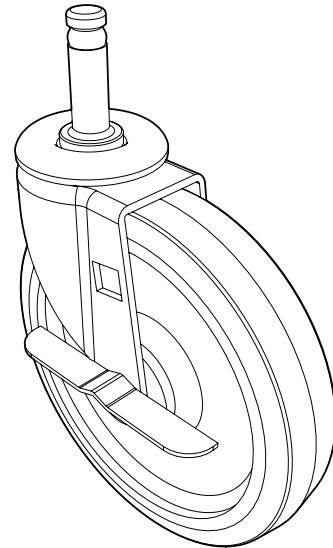
204074 - 100mm Braked Castor x 1



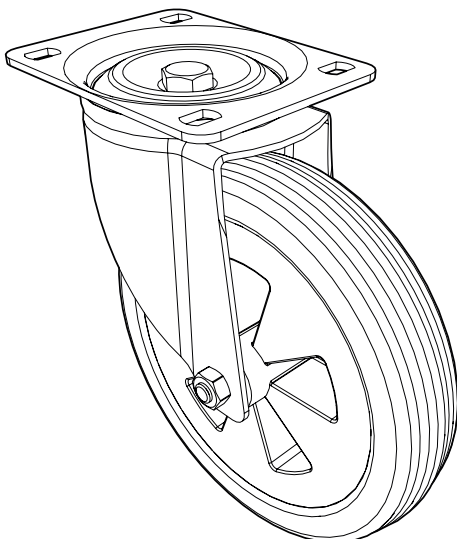
204113 - 125mm Castor x 1



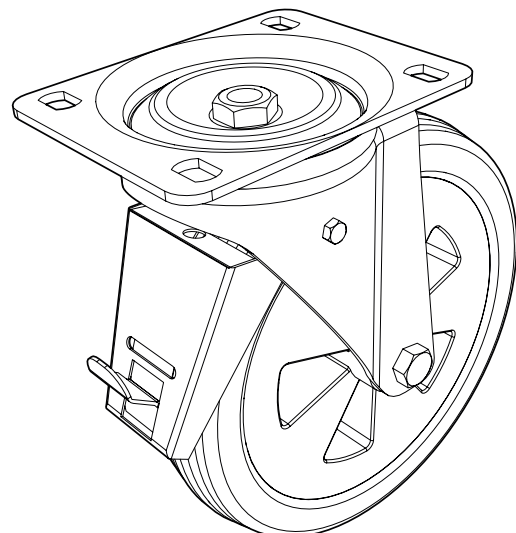
204114 - 125mm Braked Castor x 1



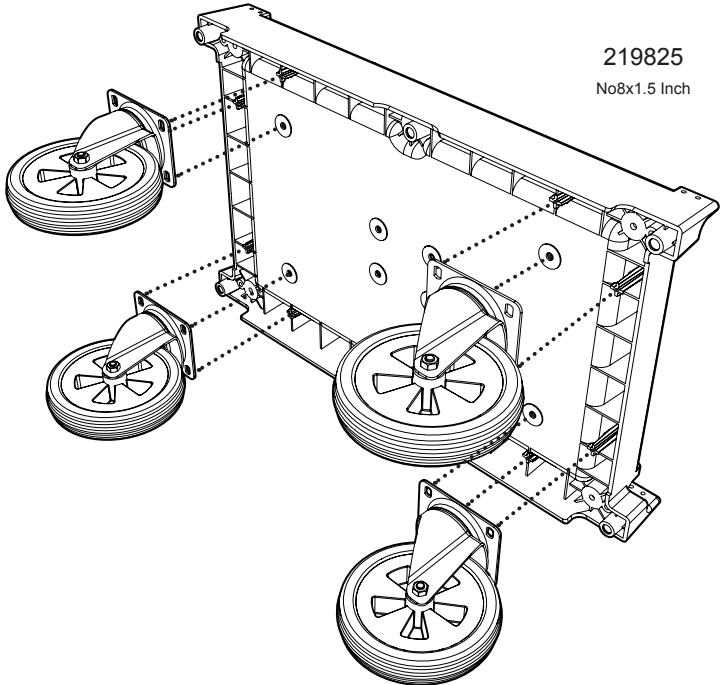
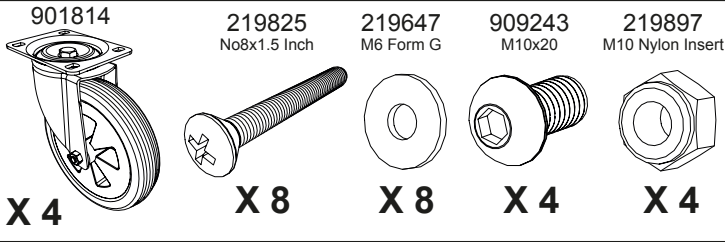
901814 - 200mm AT Castor x 1



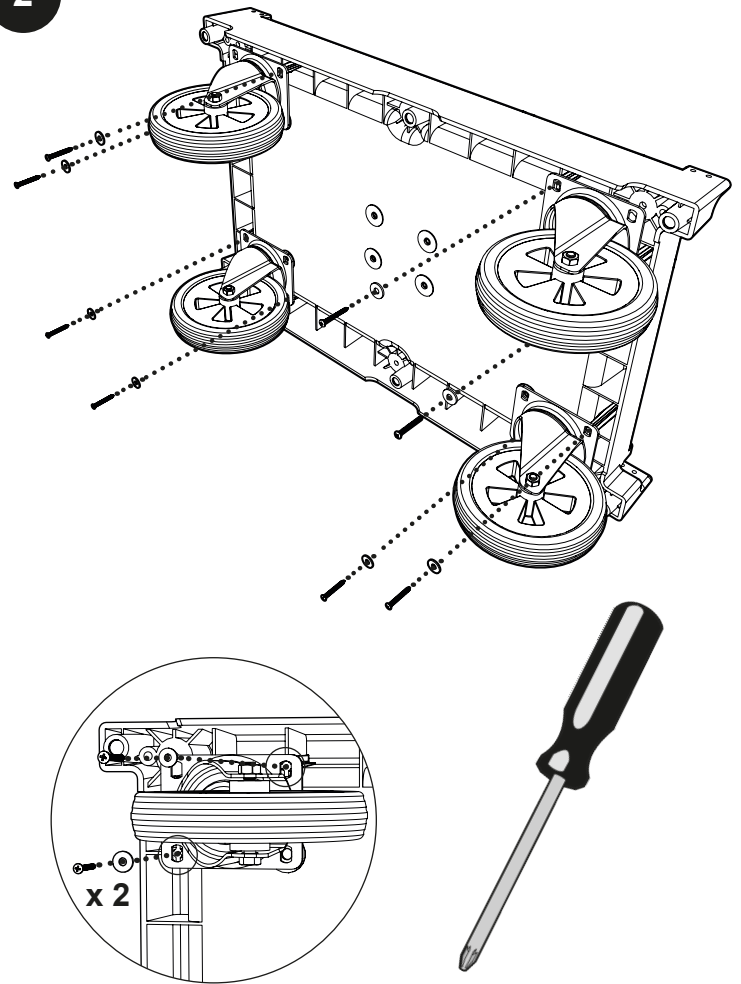
907110 - 200mm AT Braked Castor x 1



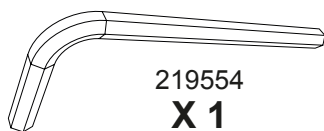
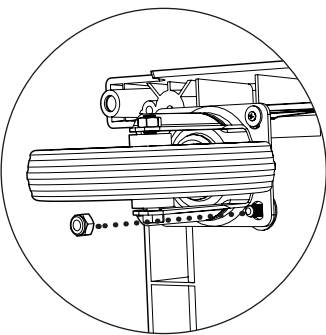
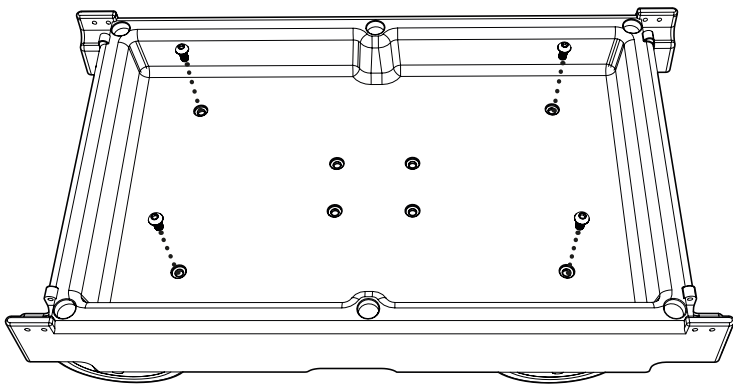
1 (All Terrain) Wheel Fitting PM 10S AT



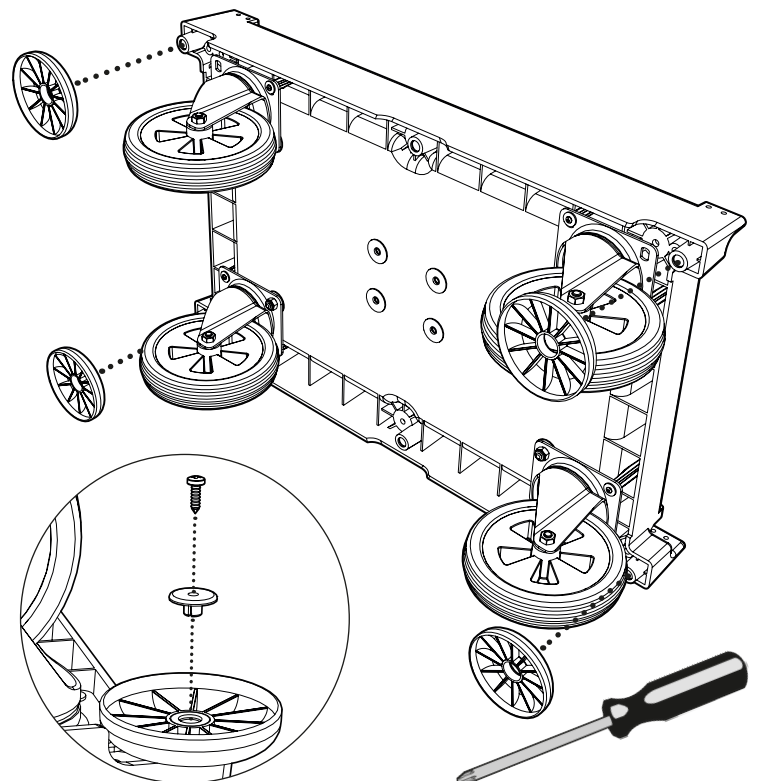
2



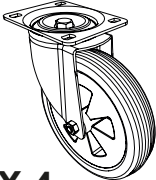
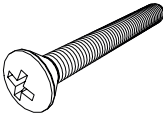
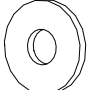
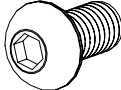
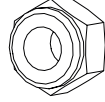
3

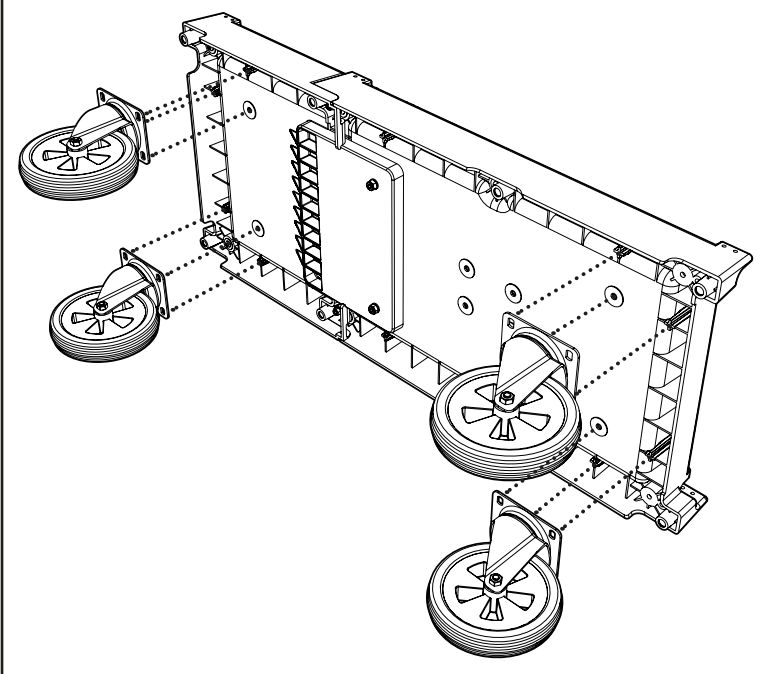


4

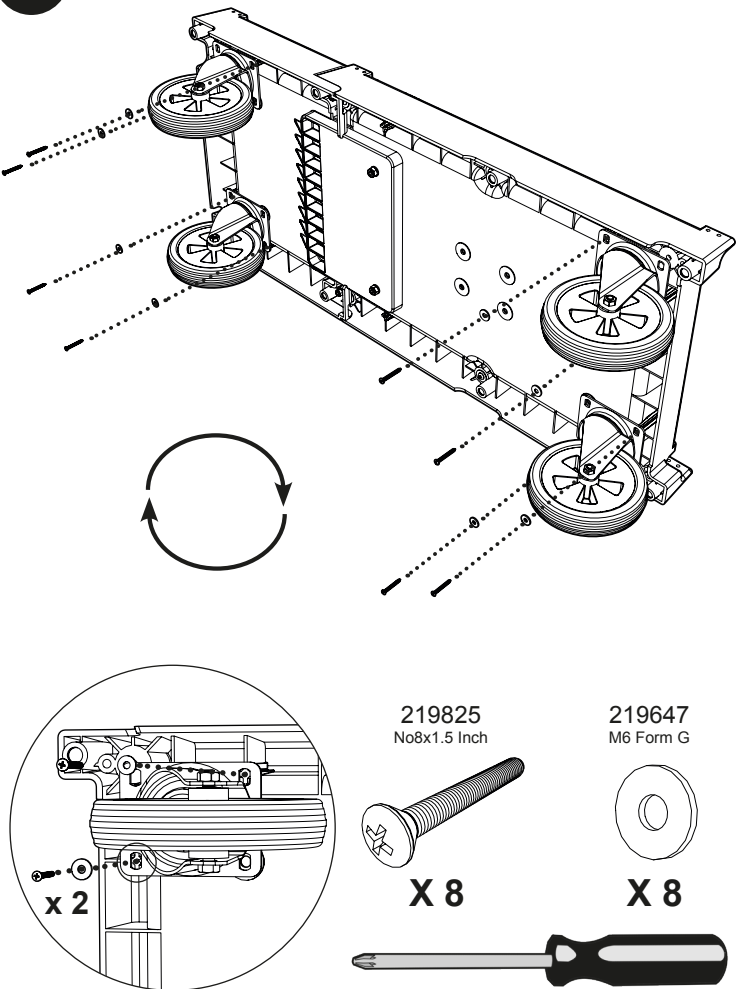


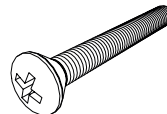
1 (All Terrain) Wheel Fitting PM 20S AT


- 901814

X 4
- 219825
No8x1.5 Inch

X 8
- 219647
M6 Form G

X 8
- 909243
M10x20

X 4
- 219897
M10 Nylon Insert

X 4




2

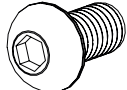


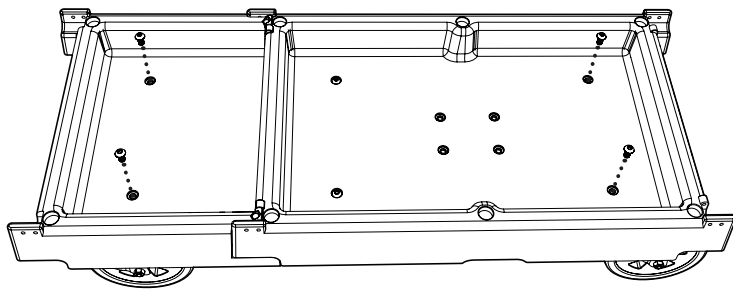
219825
No8x1.5 Inch

X 8

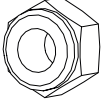
219647
M6 Form G

X 8

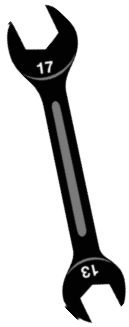


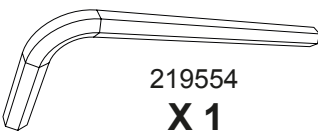
3

909243
M10x20

X 4

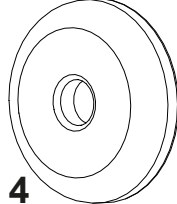


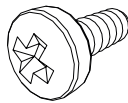
219897
M10 Nylon Insert

X 4



17
13

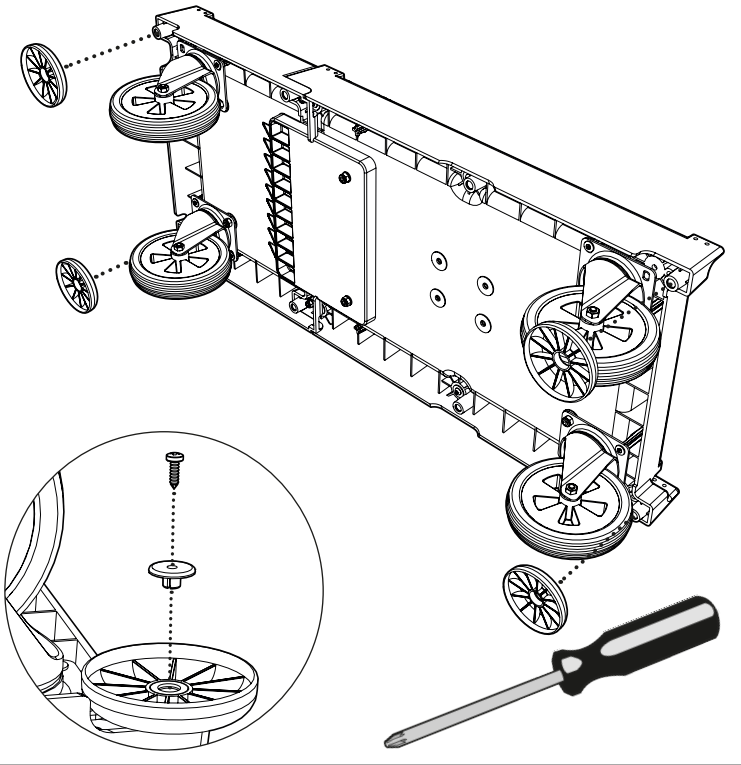
219554

X 1


4

227479

X 4

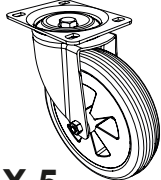
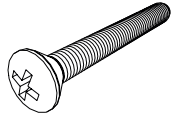
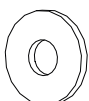
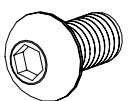
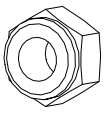
219851
No12x0.75 Inch

X 4

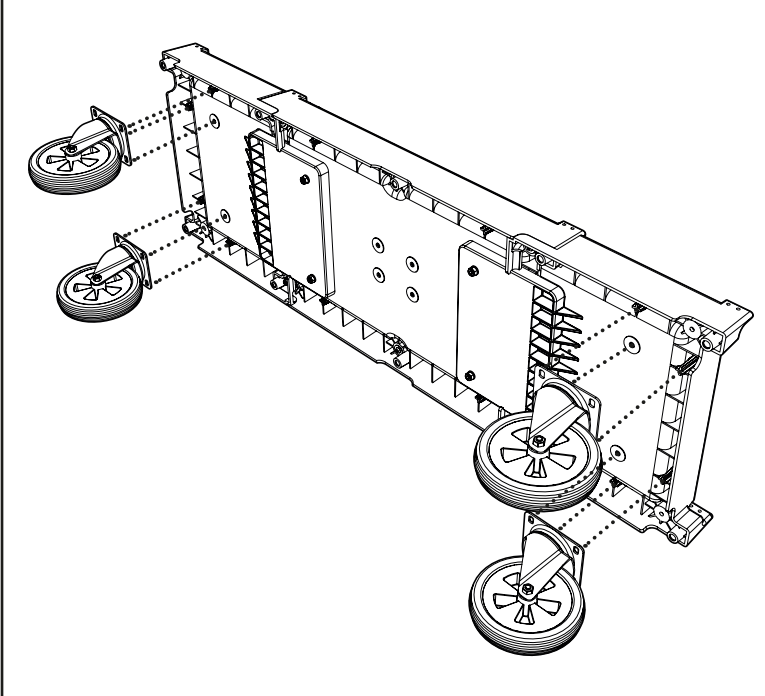
223548
Buffer Plug

X 4



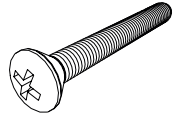
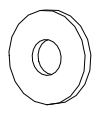


1 (All Terrain) Wheel Fitting PM 30S AT


901814  X 5	219825 No8x1.5 Inch  X 8	219647 M6 Form G  X 8	909243 M10x20  X 8	219897 M10 Nylon Insert  X 8
--	---	--	---	---



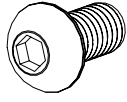
2

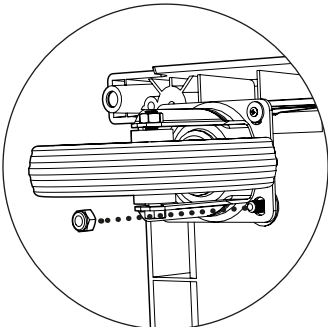
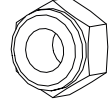
219825 No8x1.5 Inch  X 8	219647 M6 Form G  X 8
---	--


x 2




3

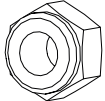
909243 M10x20  X 8


	219897 M10 Nylon Insert  X 1
--	---



 219554 X 1

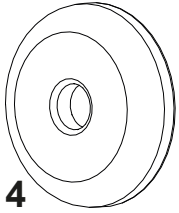
4

219897 M10 Nylon Insert  X 8



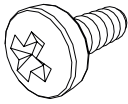
5

227479



X 4

219851
No12x0.75 Inch

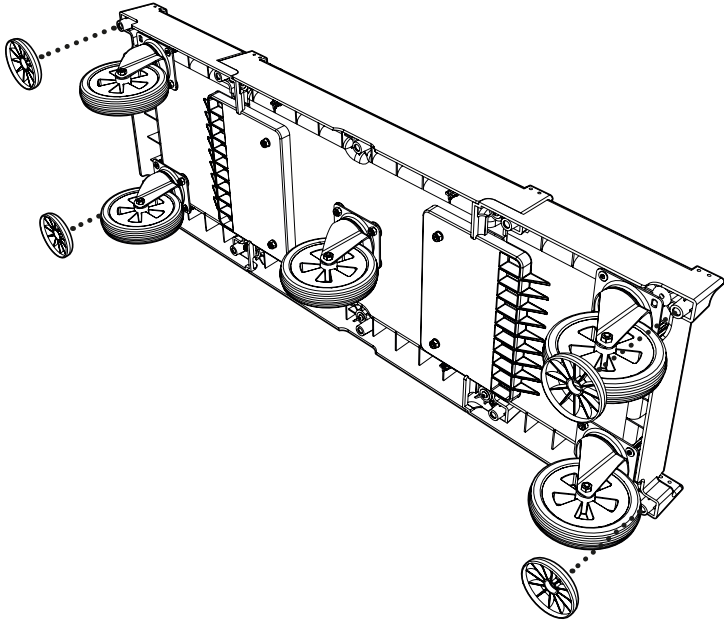


X 4

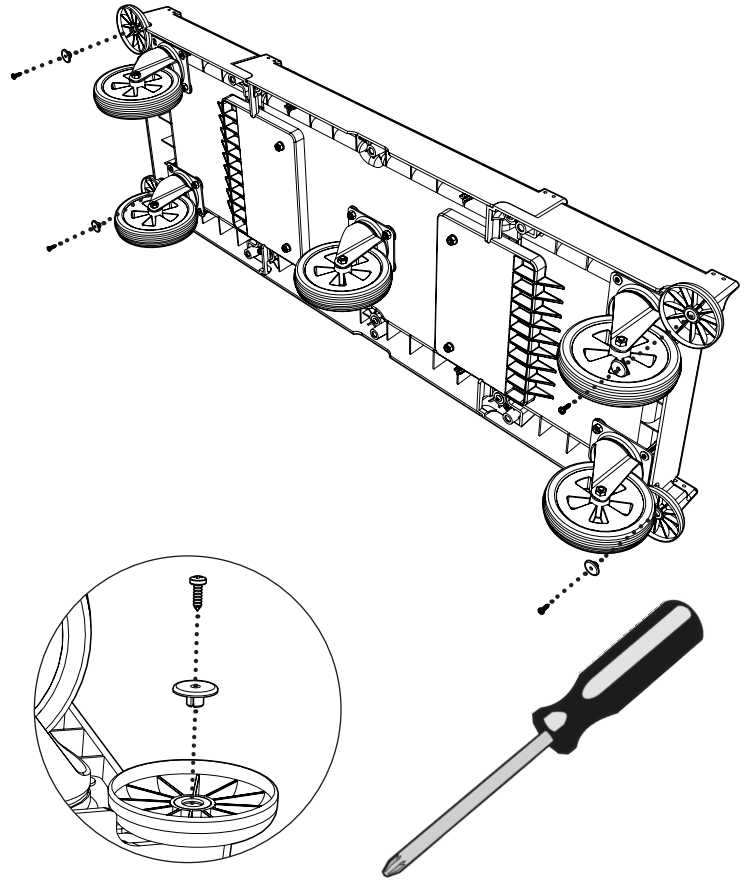
223548
Buffer Plug



X 4

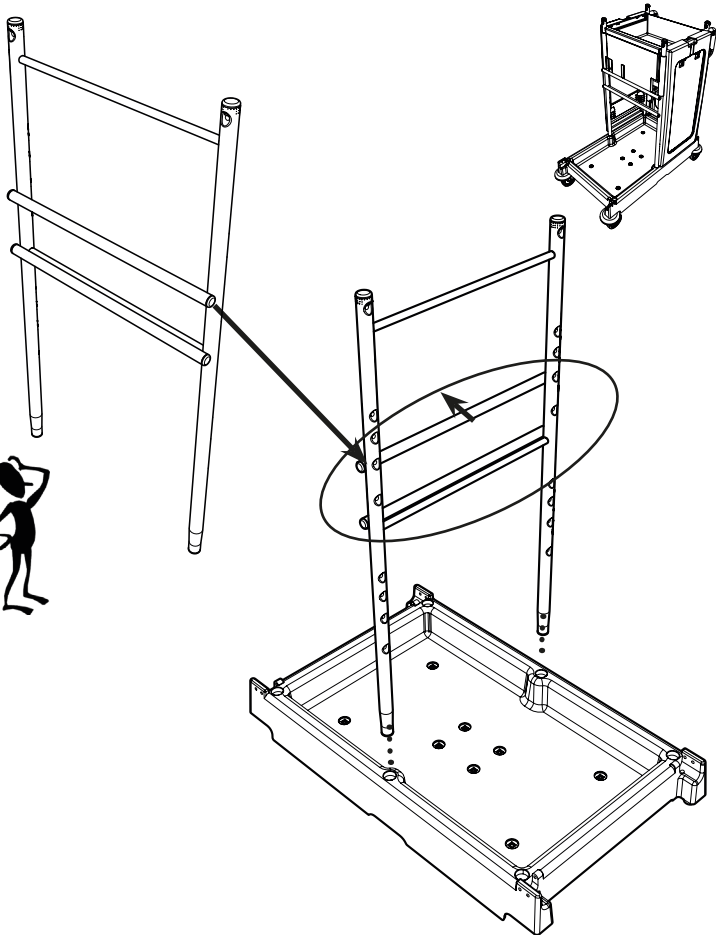


6

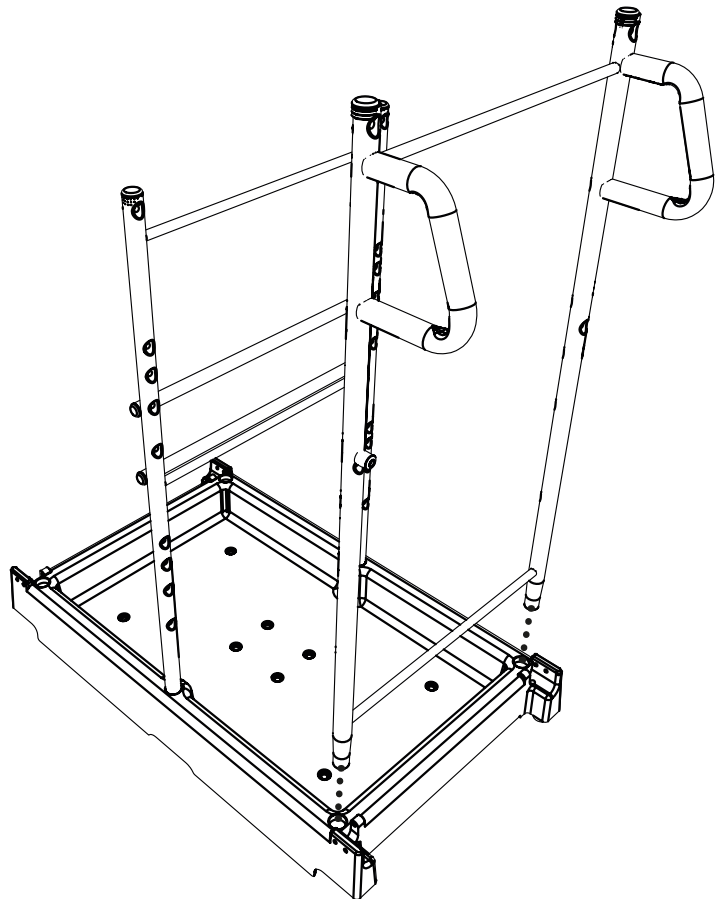


1

PM 10S Kit Box A



2



3

219554

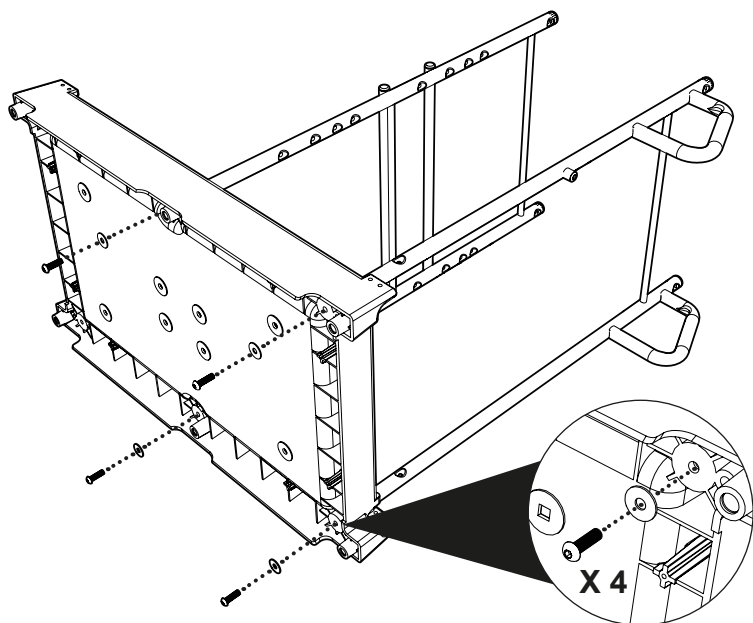
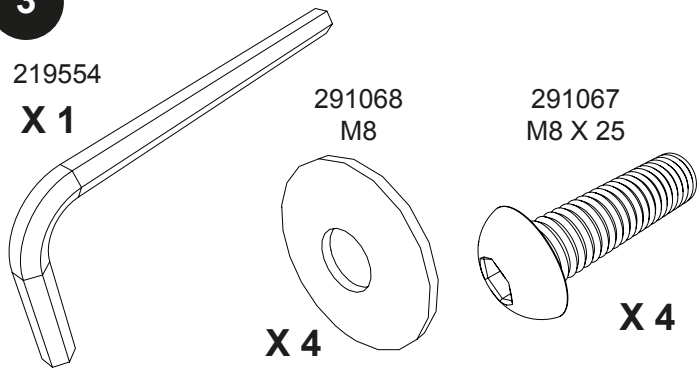
X 1

291068
M8

291067
M8 X 25

X 4

X 4



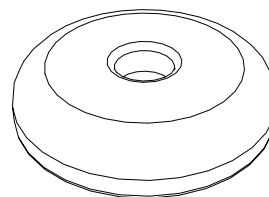
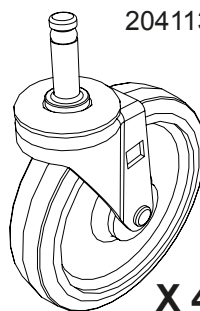
4

204113

227479

X 4

X 4



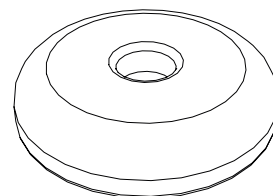
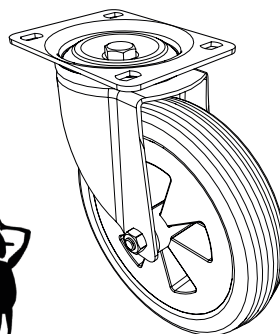
Page - 8-11

901814

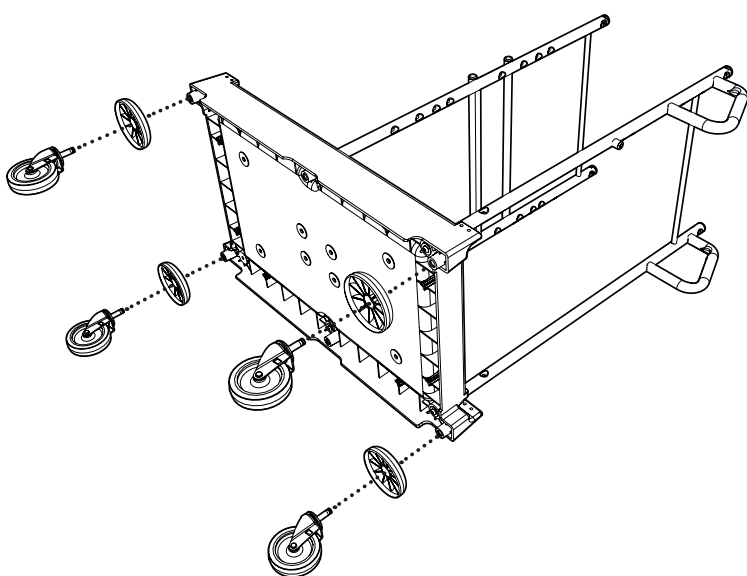
227479

X 4

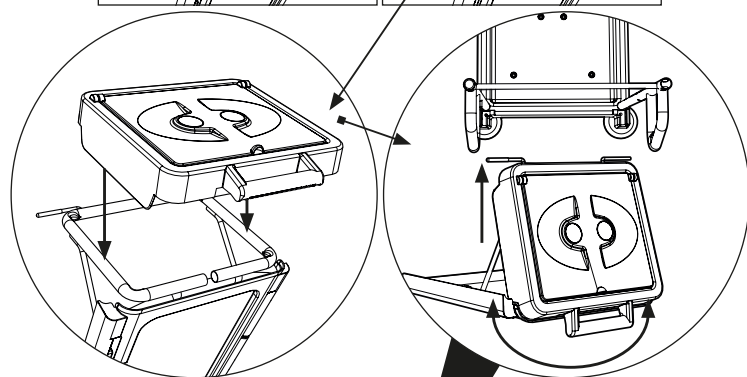
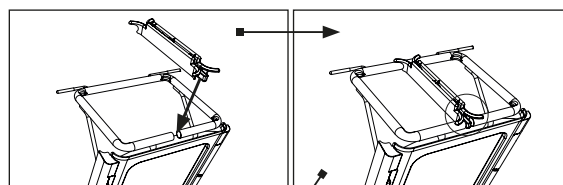
X 4



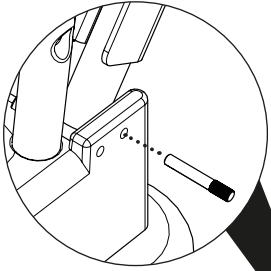
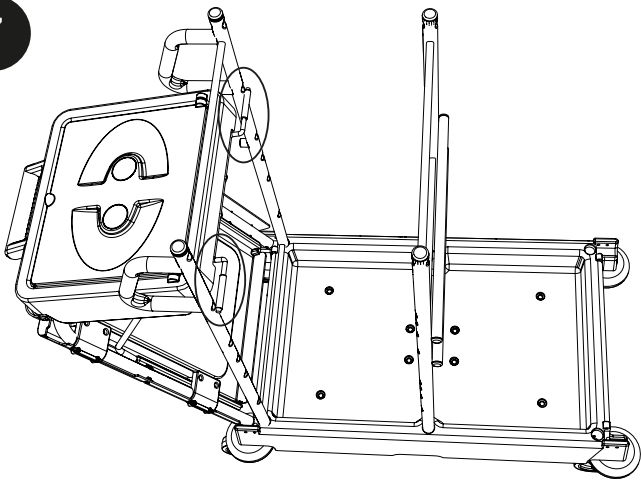
5



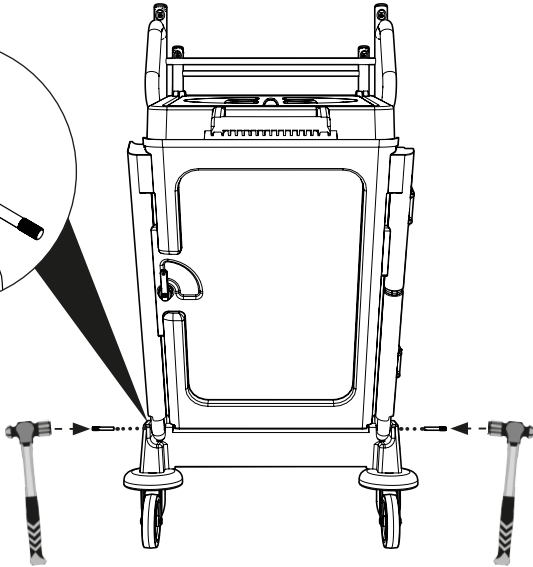
6



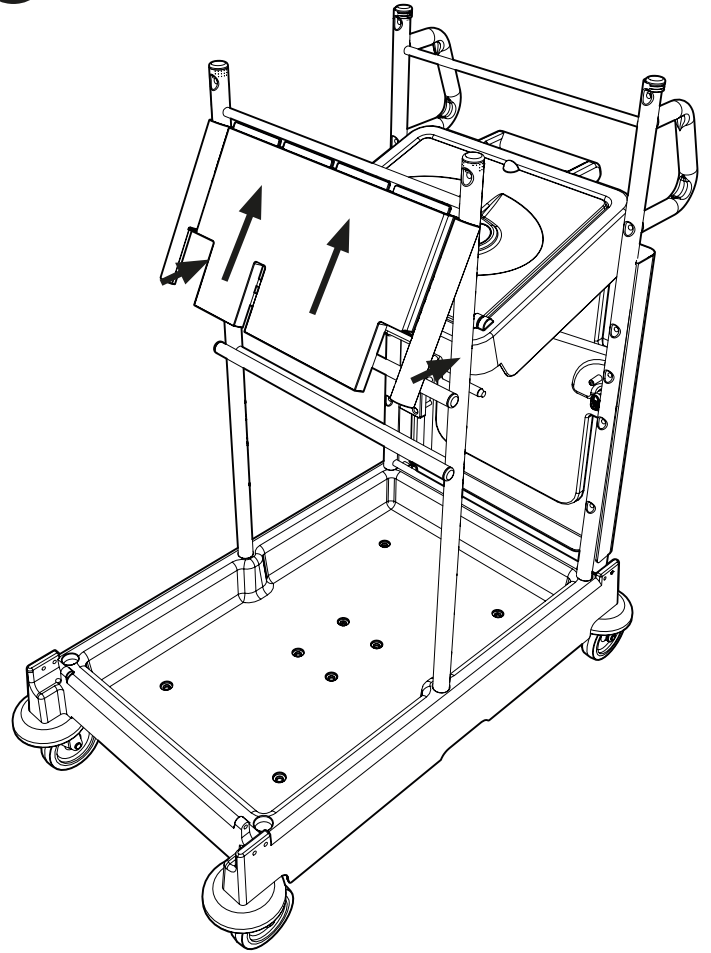
7



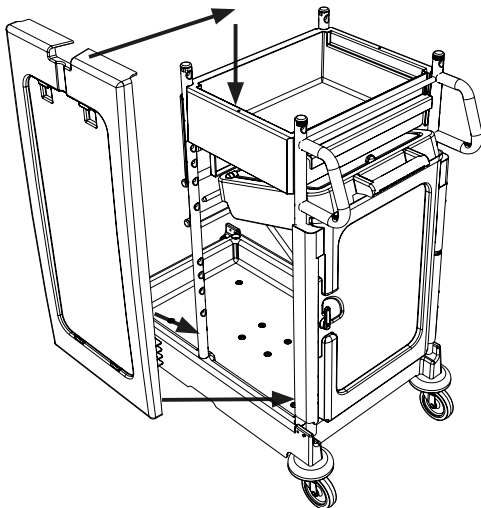
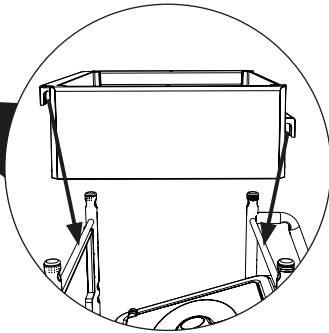
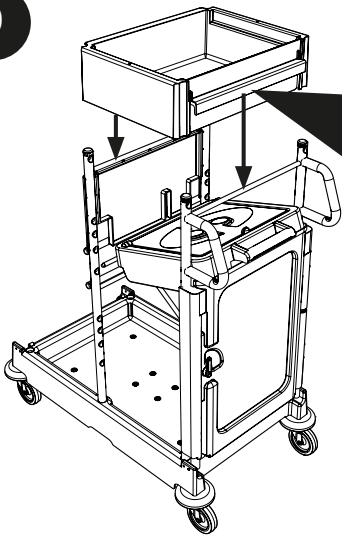
909096
X 2



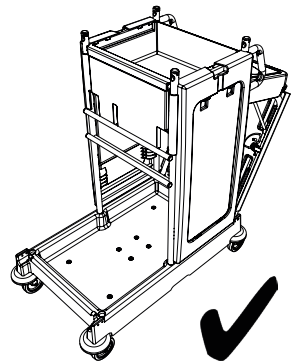
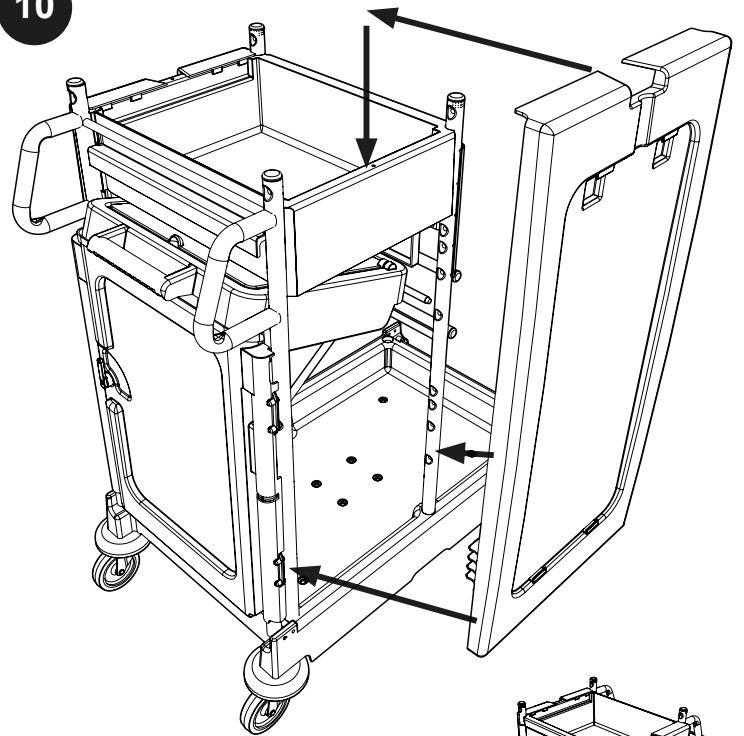
8



9

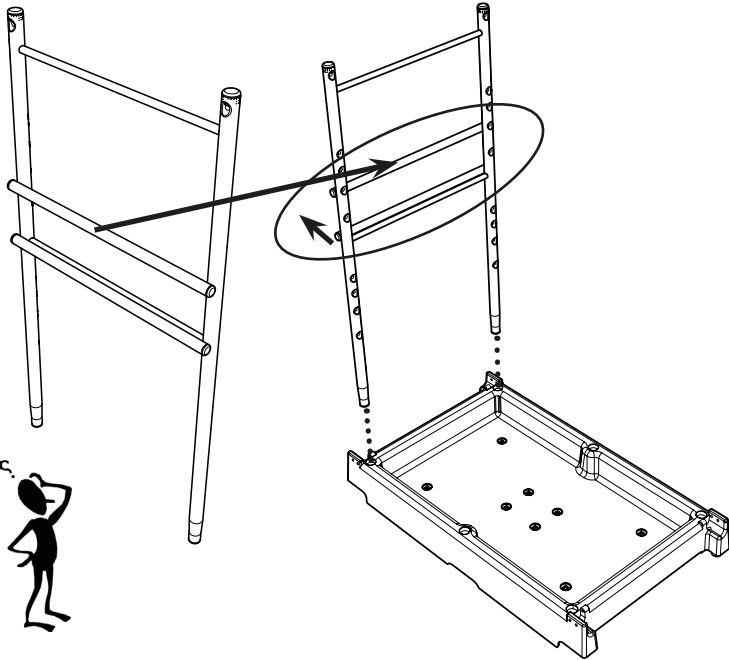
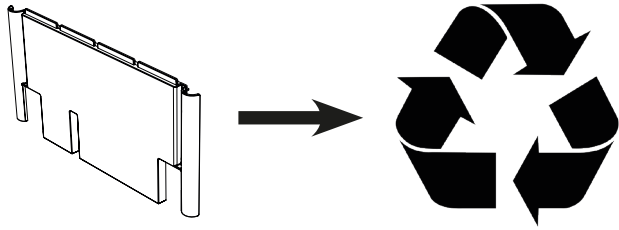


10

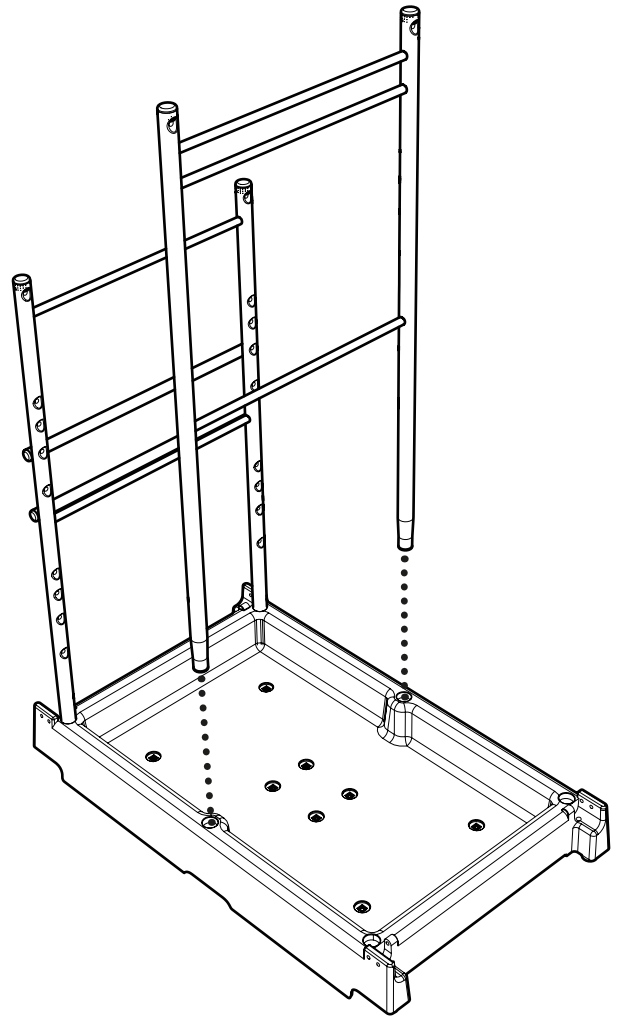


1

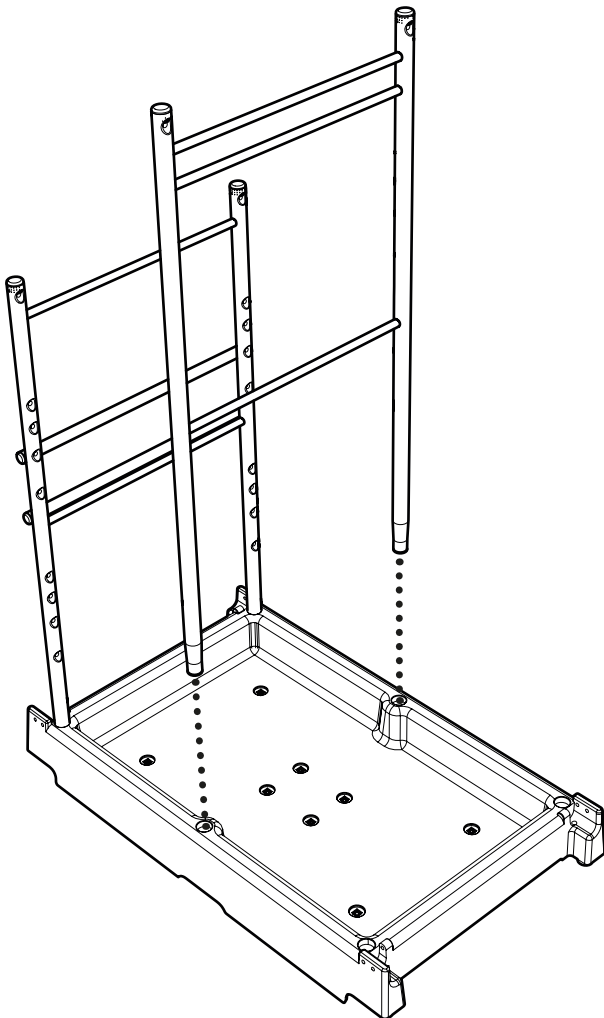
PM 11S Kit Boxes A / E



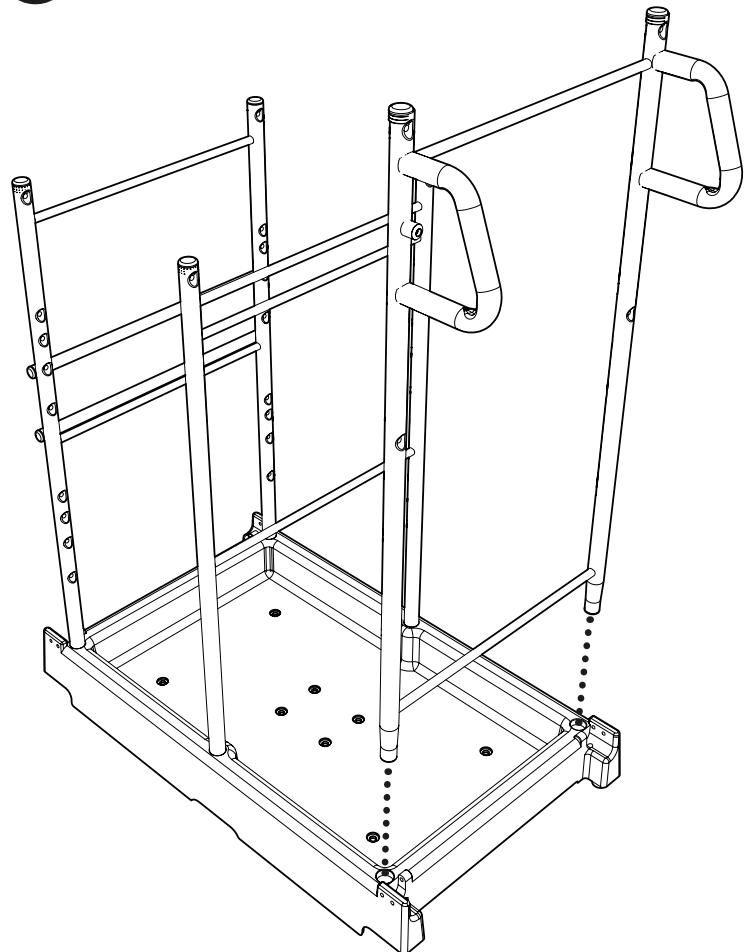
2



3



4



5

219554

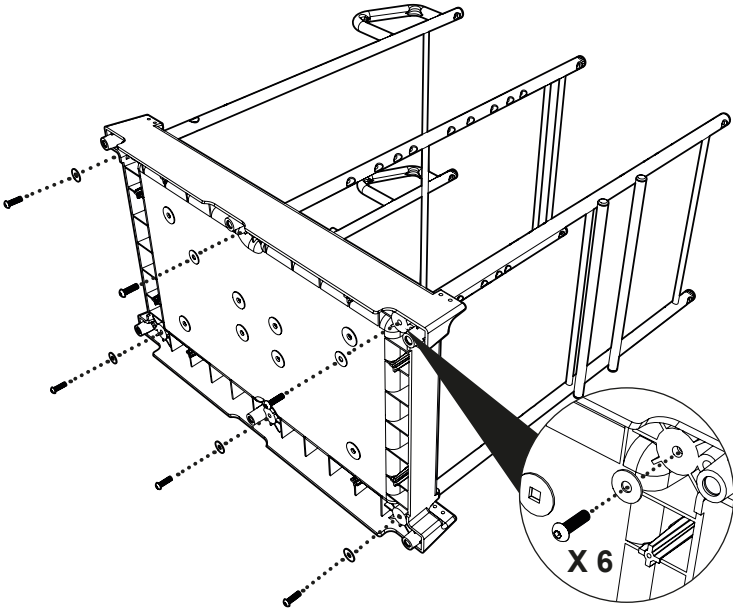
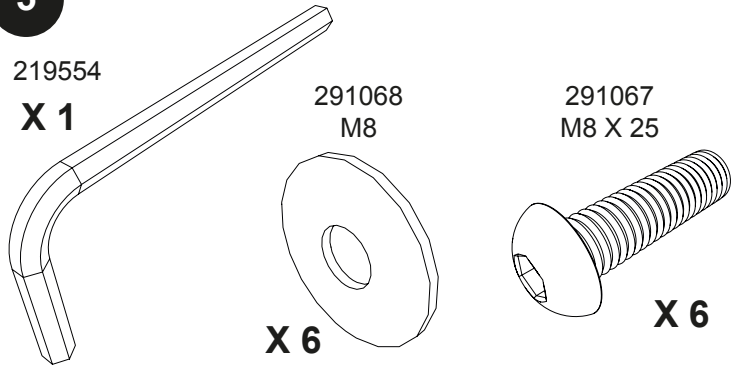
X 1

291068
M8

291067
M8 X 25

X 6

X 6



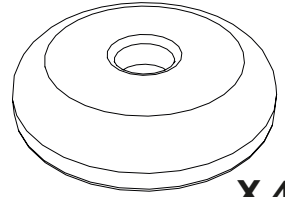
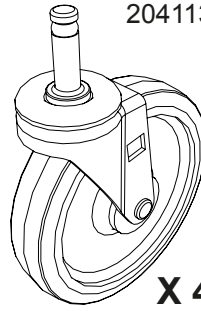
6

204113

227479

X 4

X 4



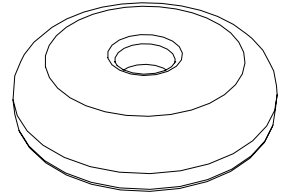
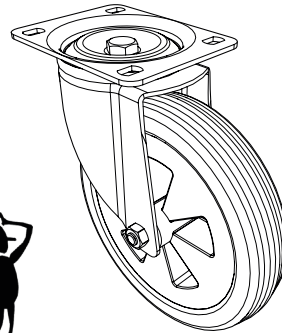
Page - 8-11

901814

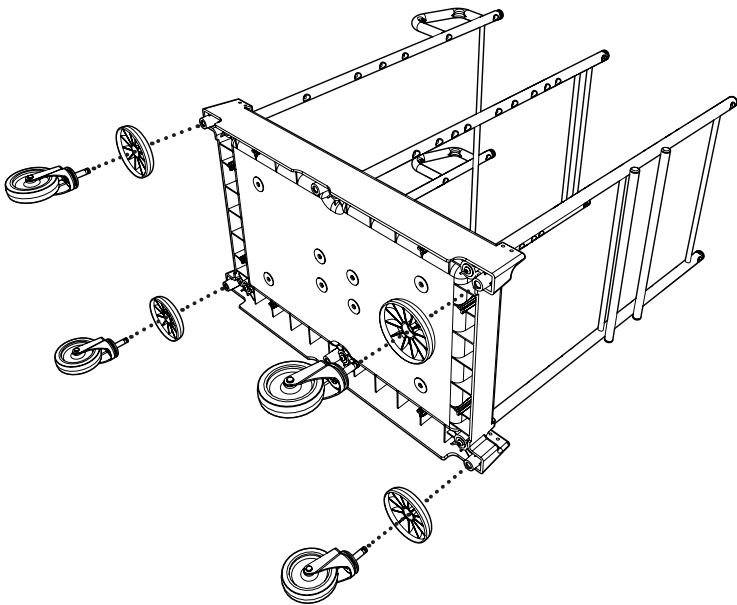
227479

X 4

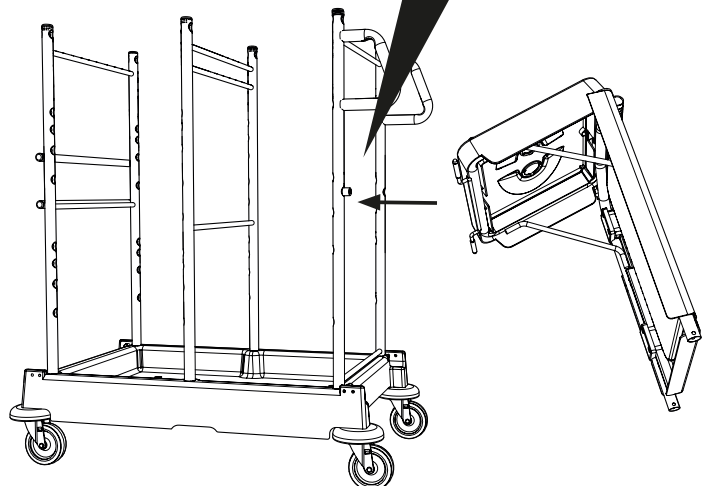
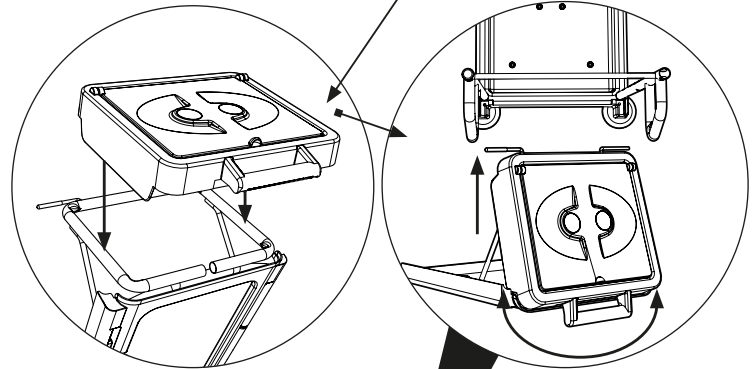
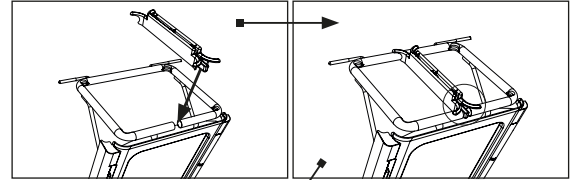
X 4



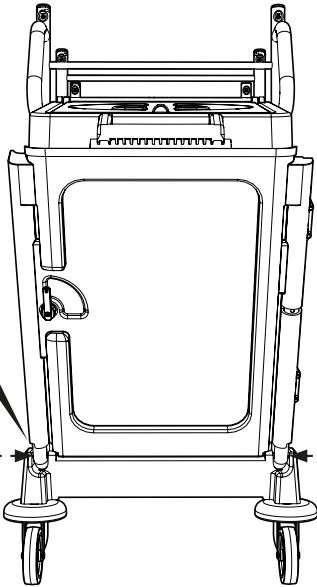
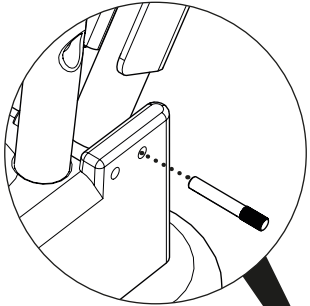
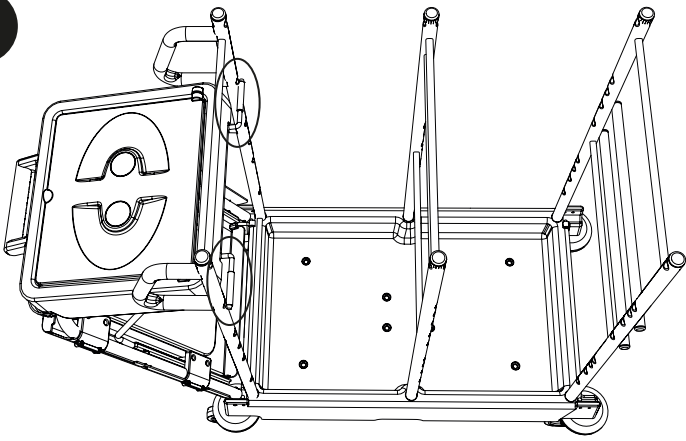
7



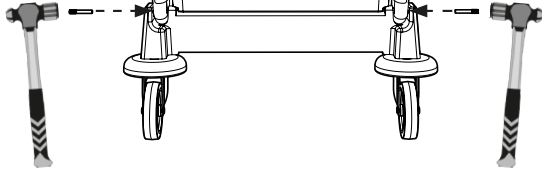
8



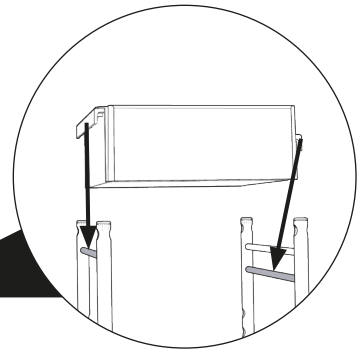
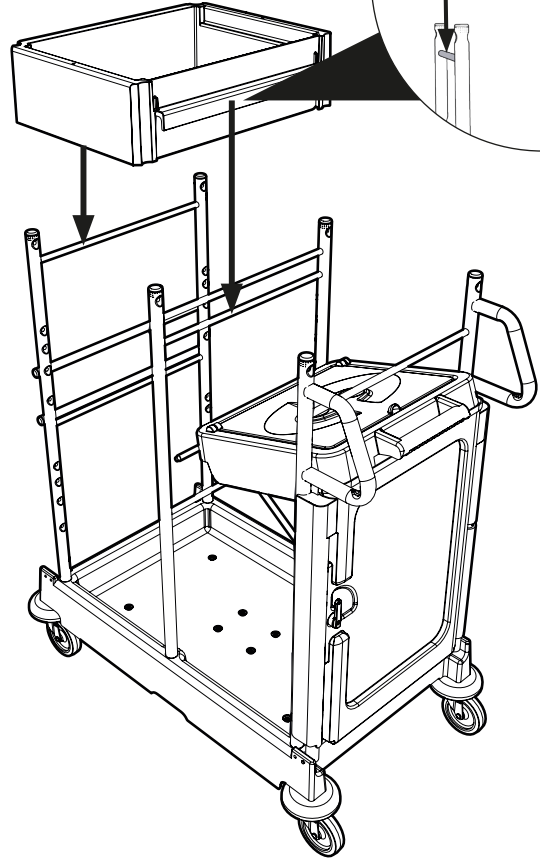
9



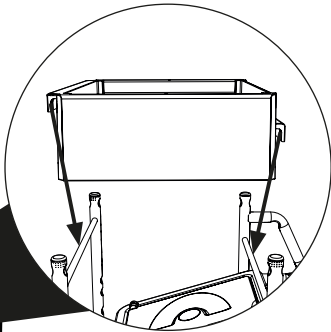
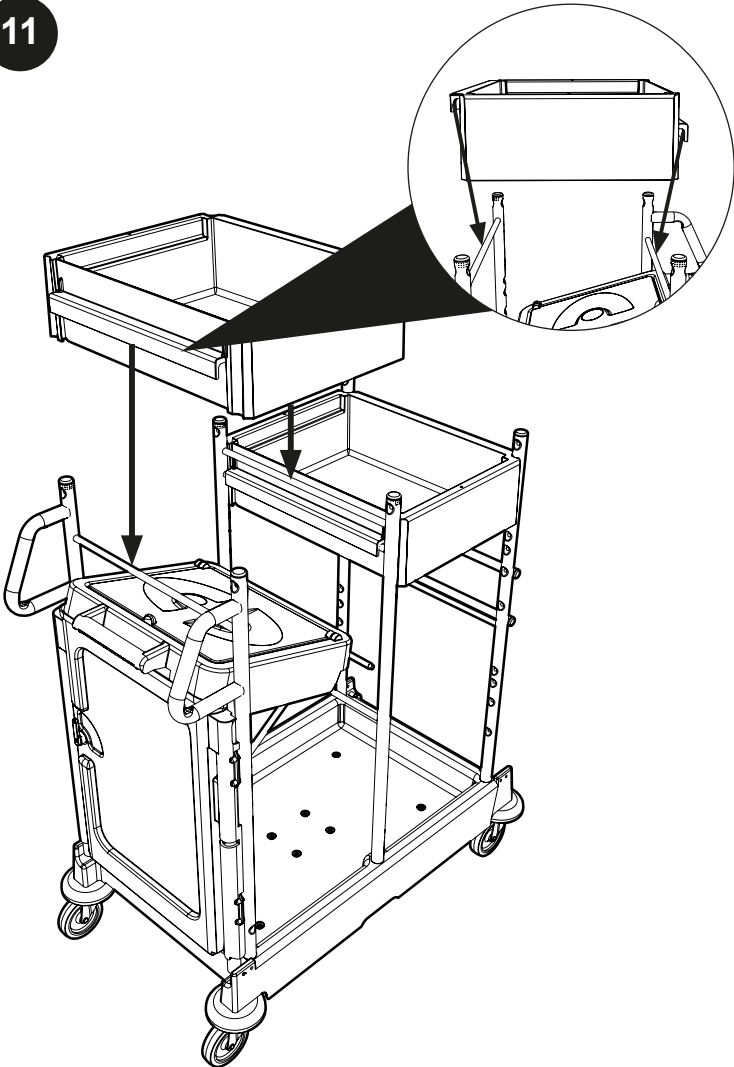
909096
X 2



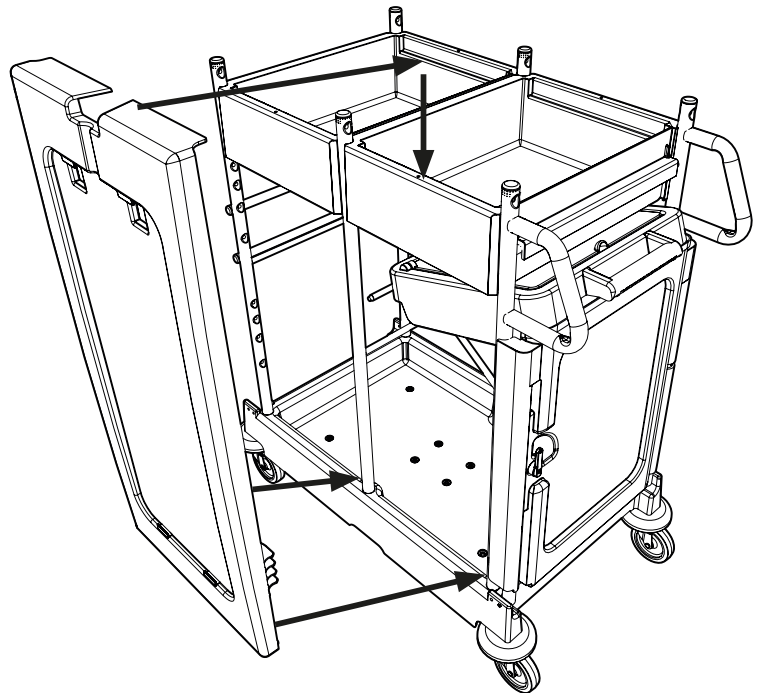
10



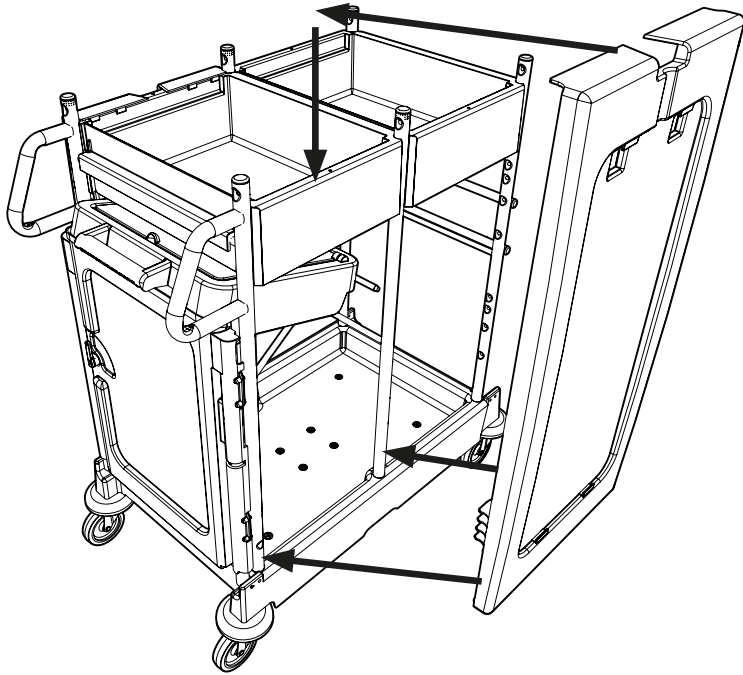
11



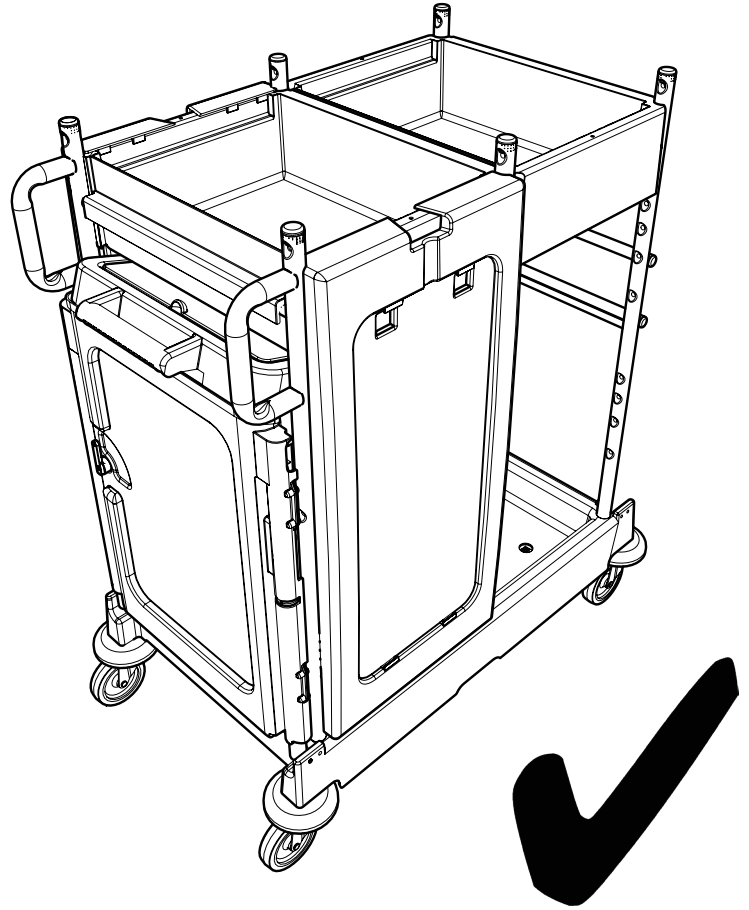
12



13

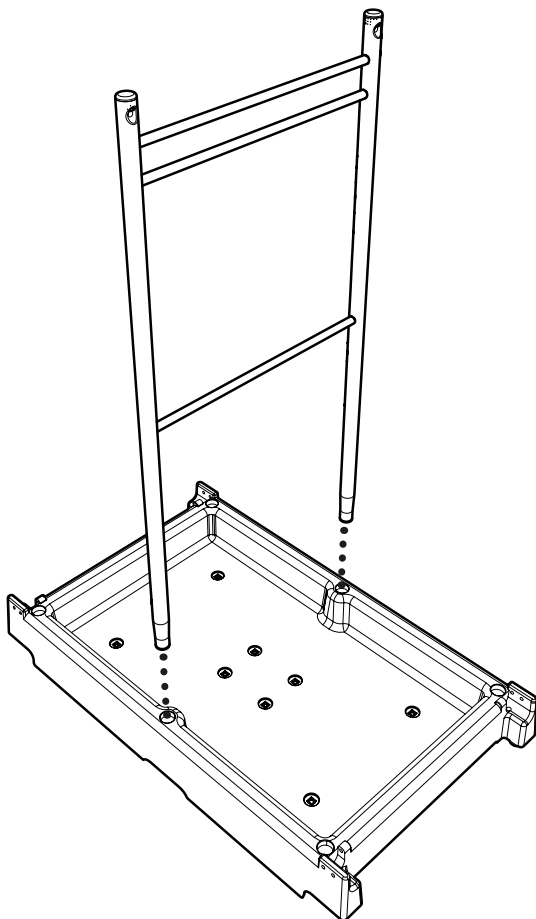


14 PM 11S

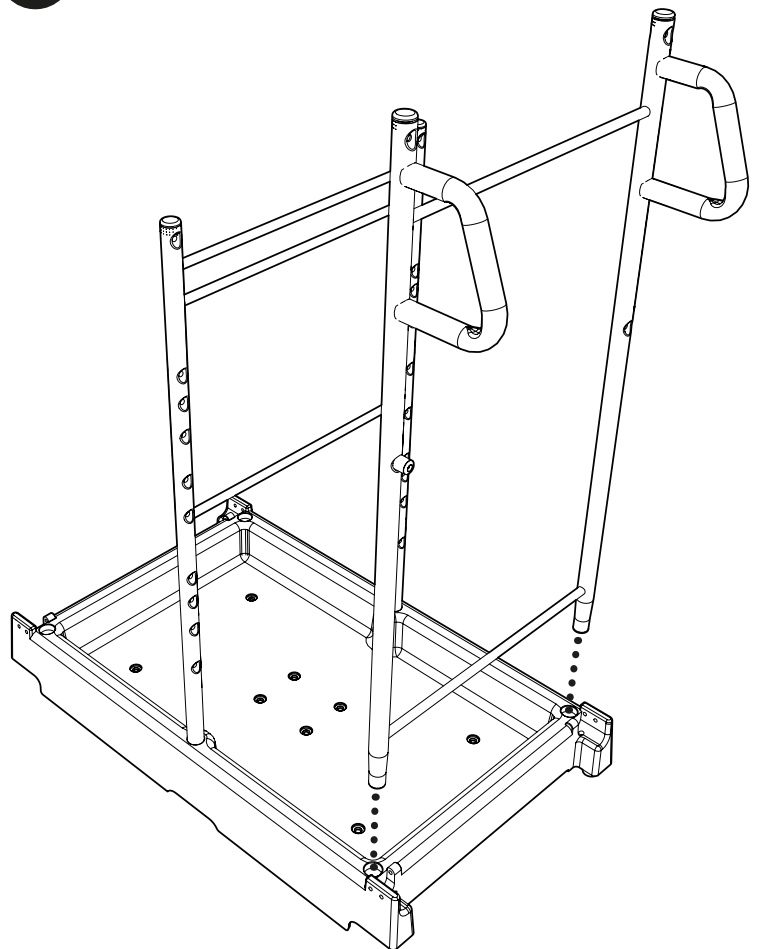


1

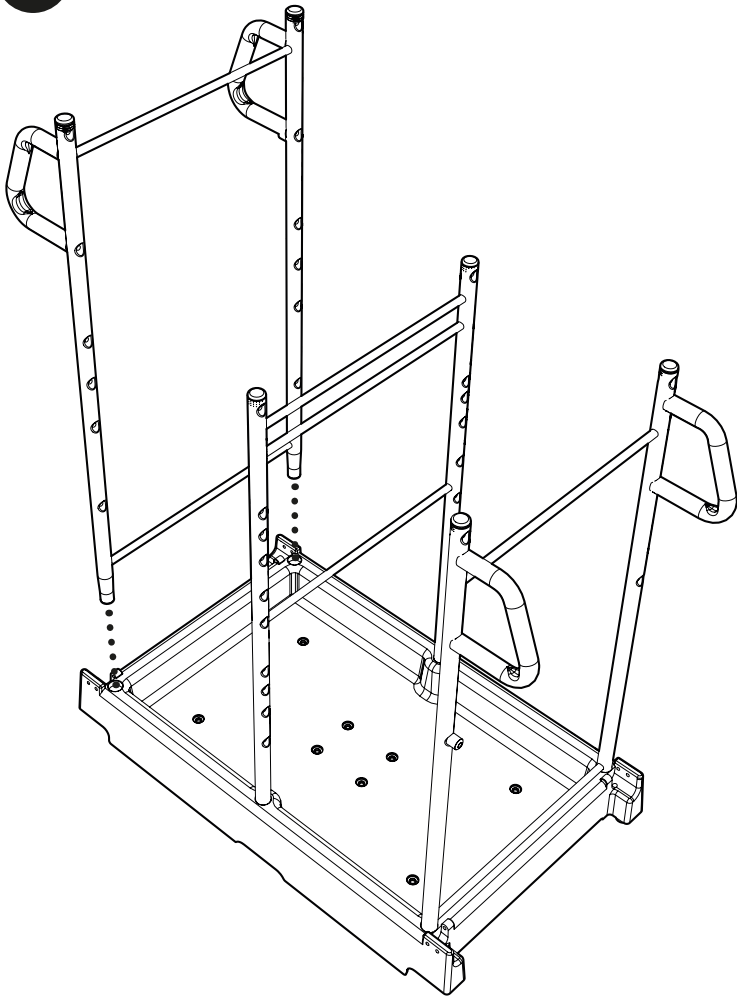
PM 12S Kit Box B



2



3



4

219554

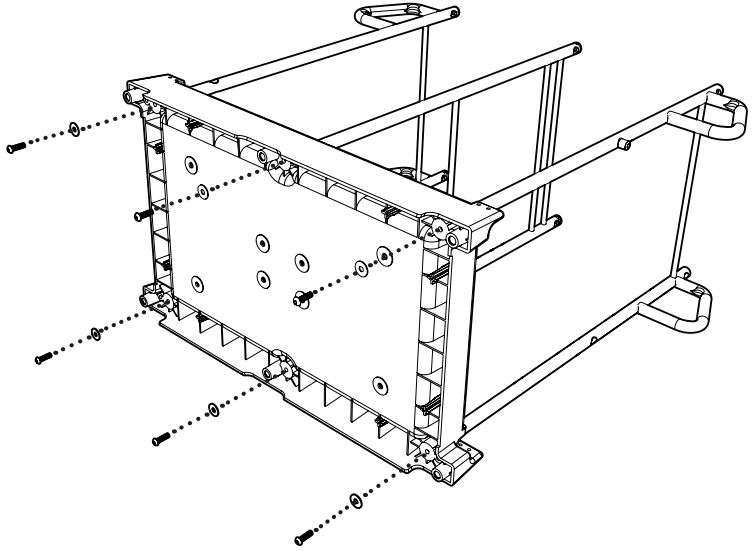
X 1

291068
M8

291067
M8 X 25

X 6

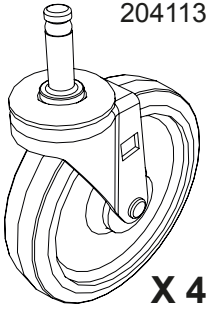
X 6



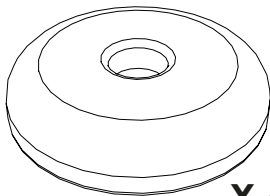
5

204113

227479



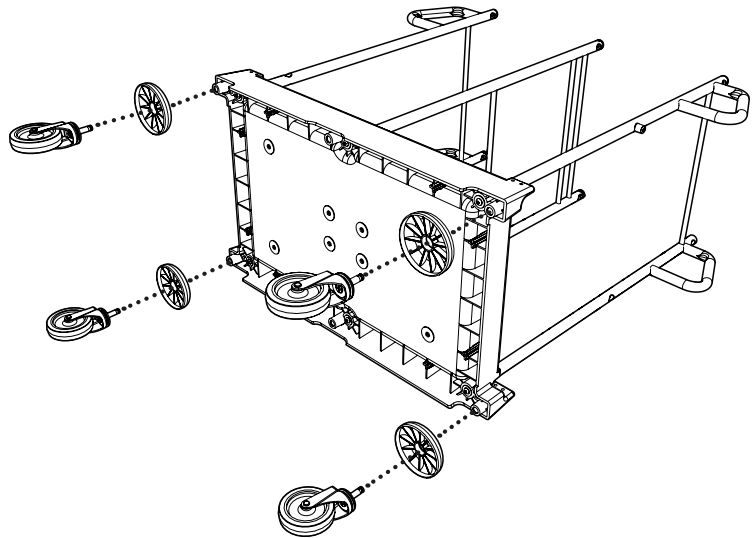
X 4



X 4



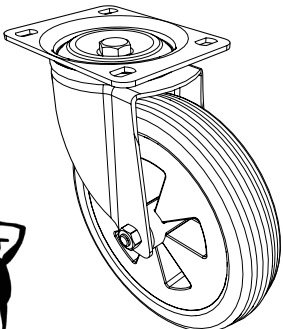
6



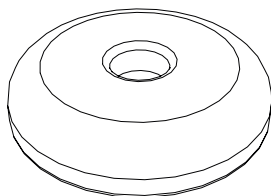
Page - 8-11

901814

227479



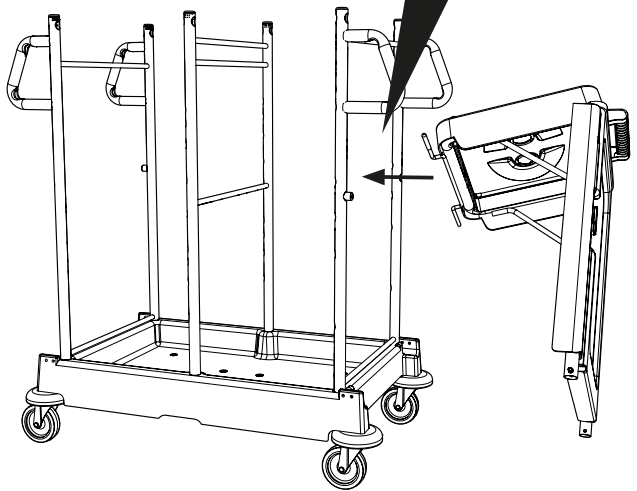
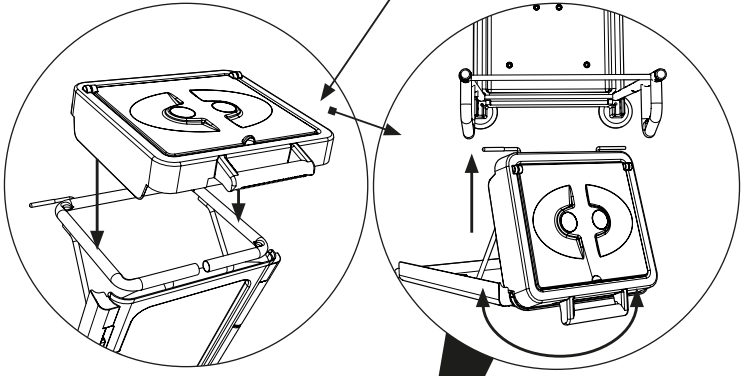
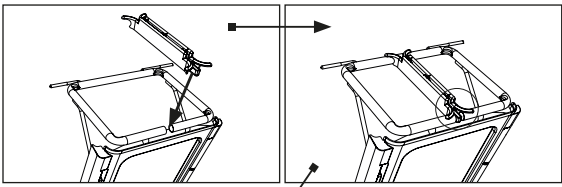
X 4



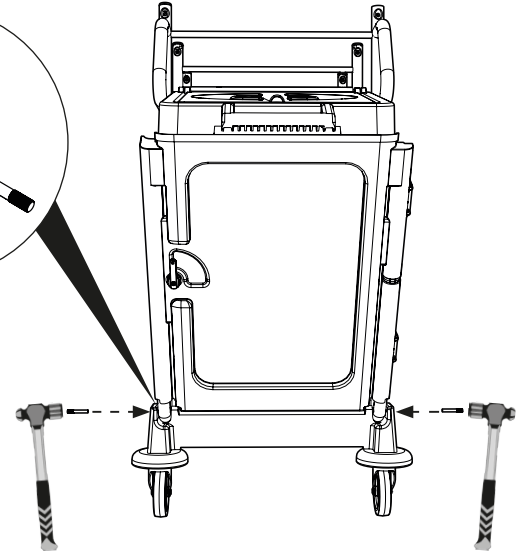
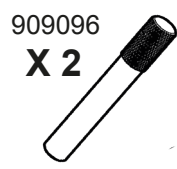
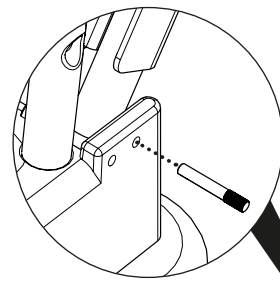
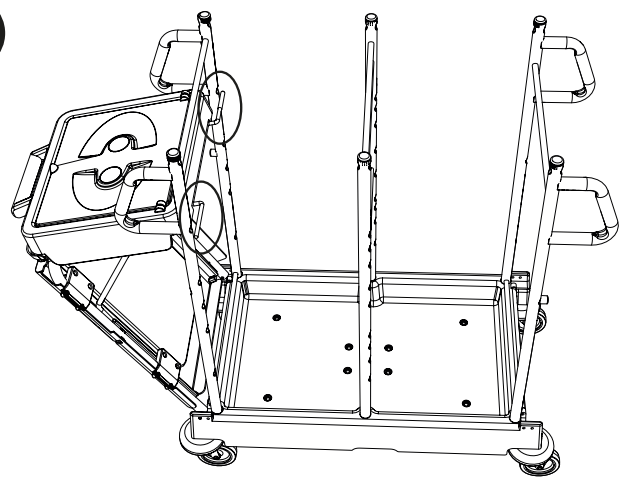
X 4



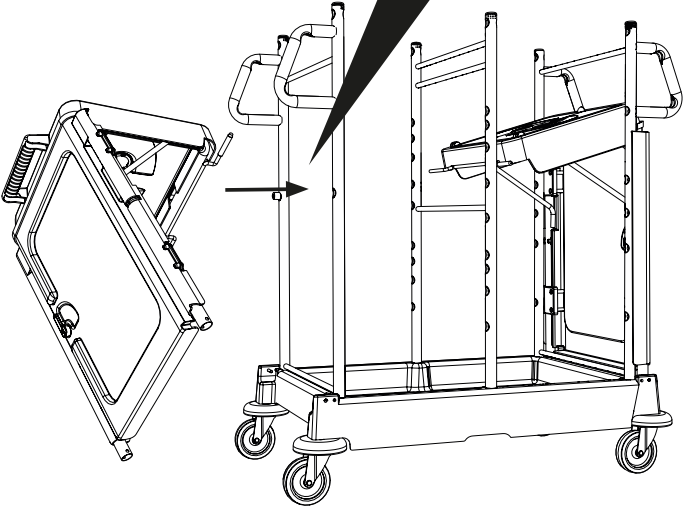
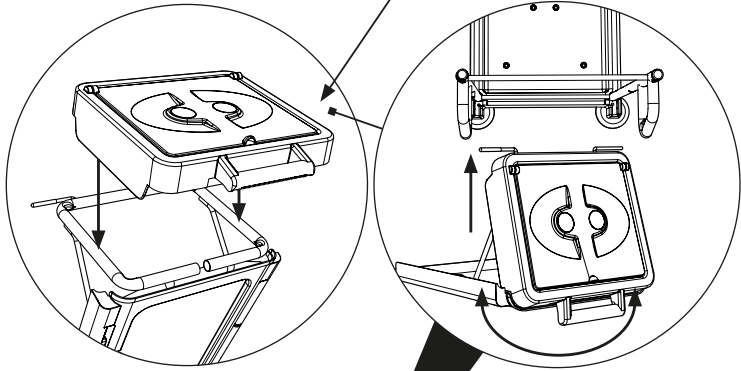
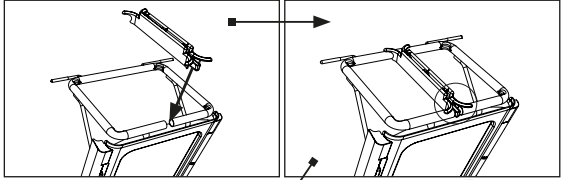
7



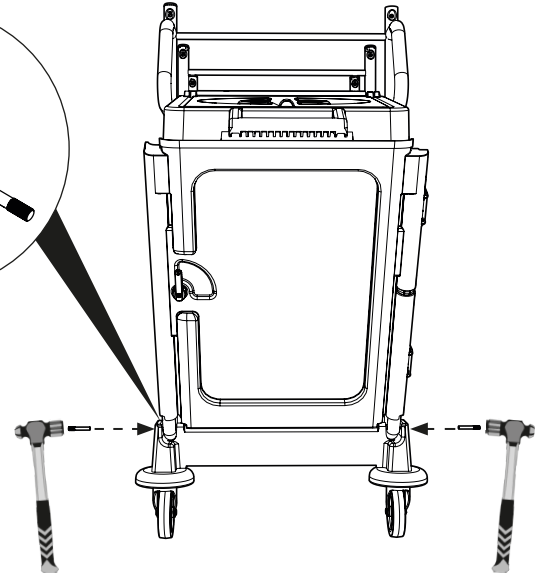
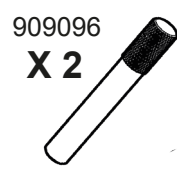
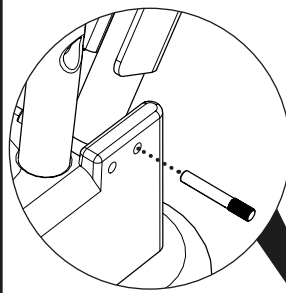
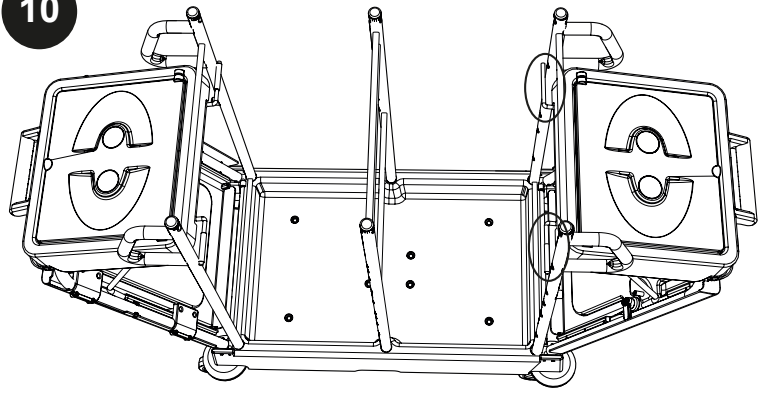
8



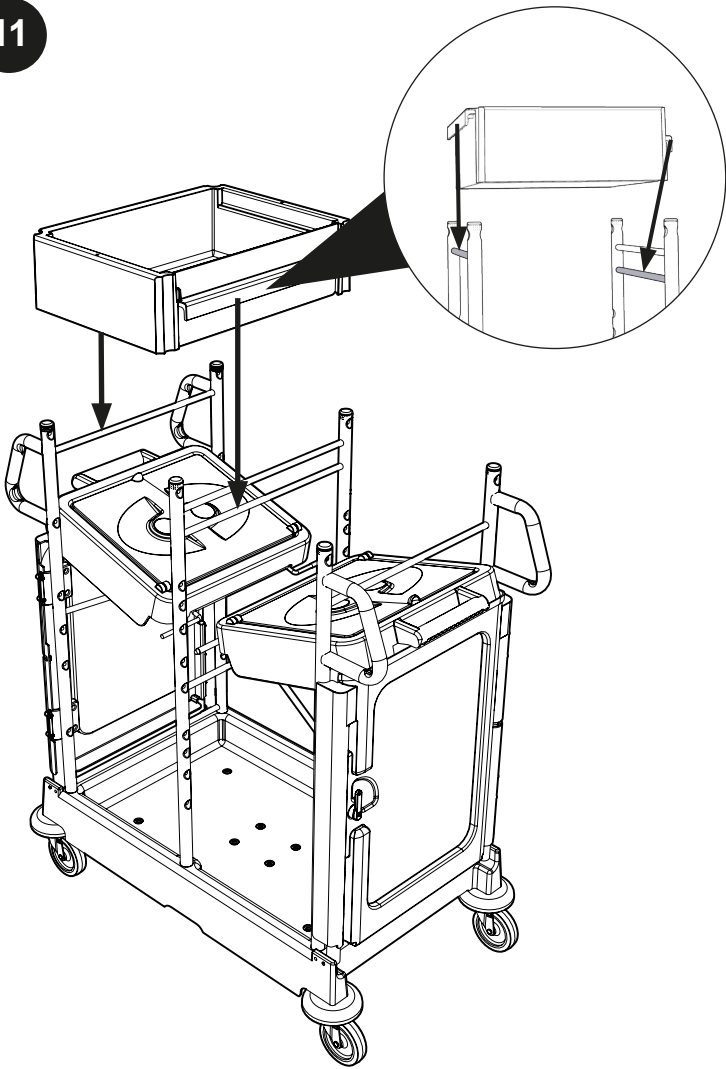
9



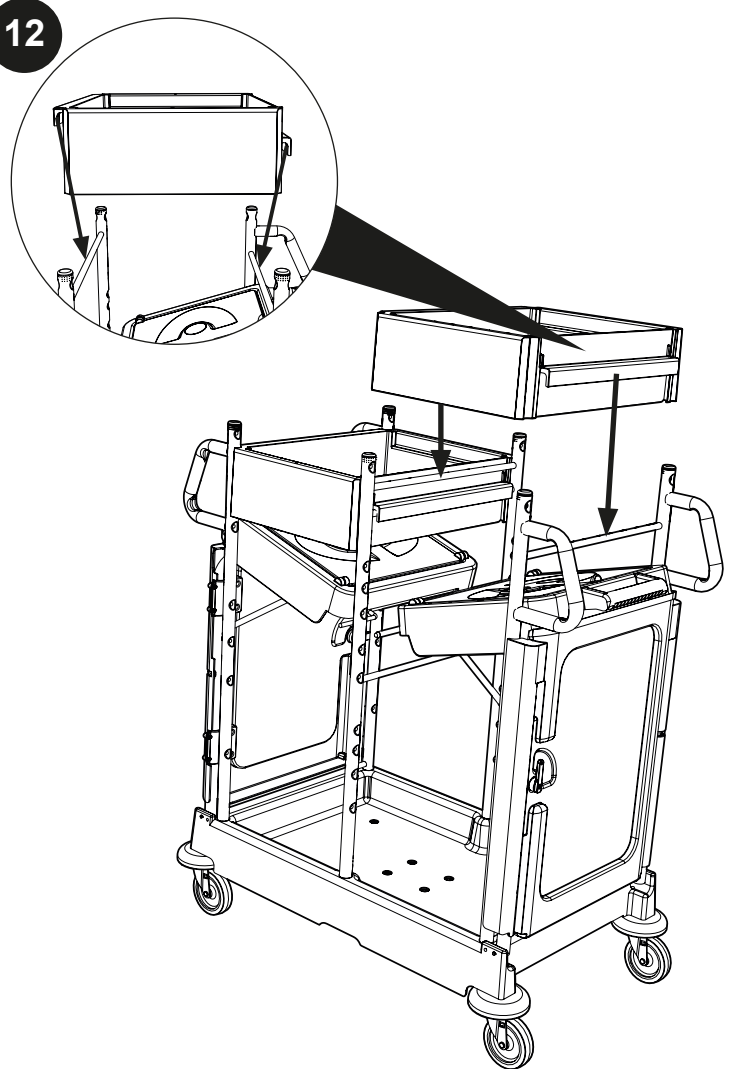
10



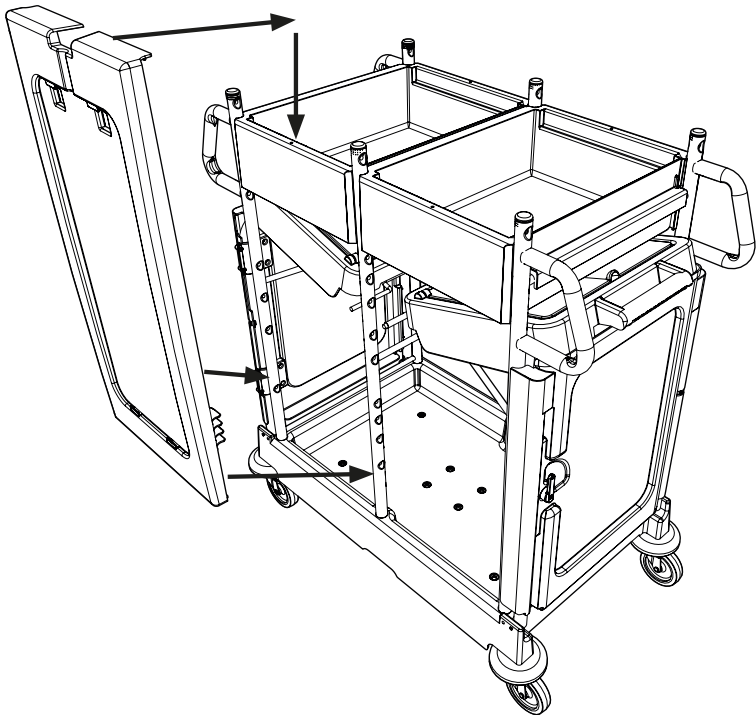
11



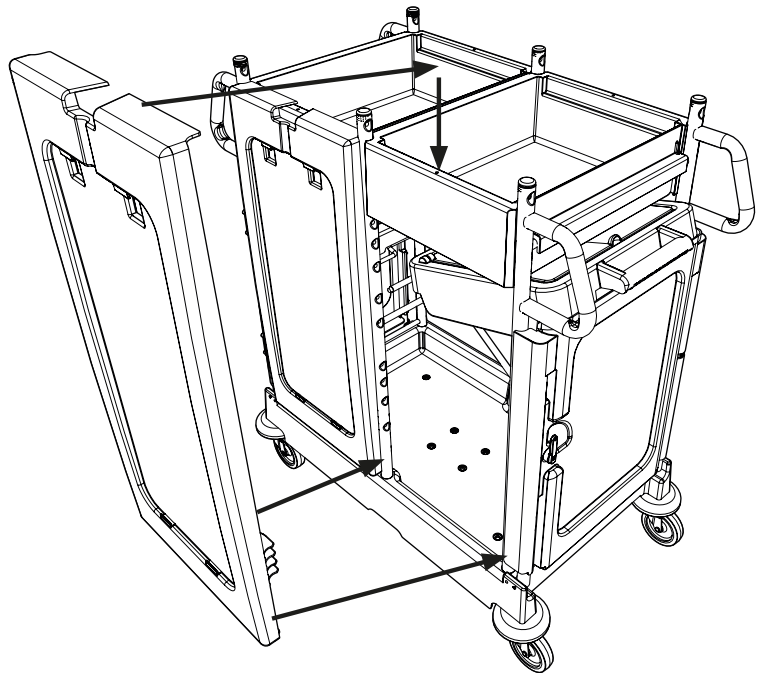
12



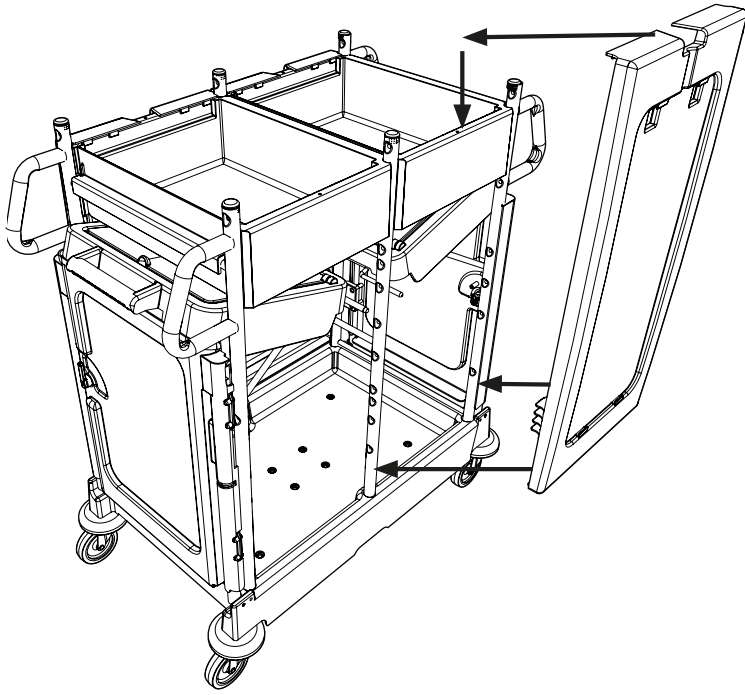
13



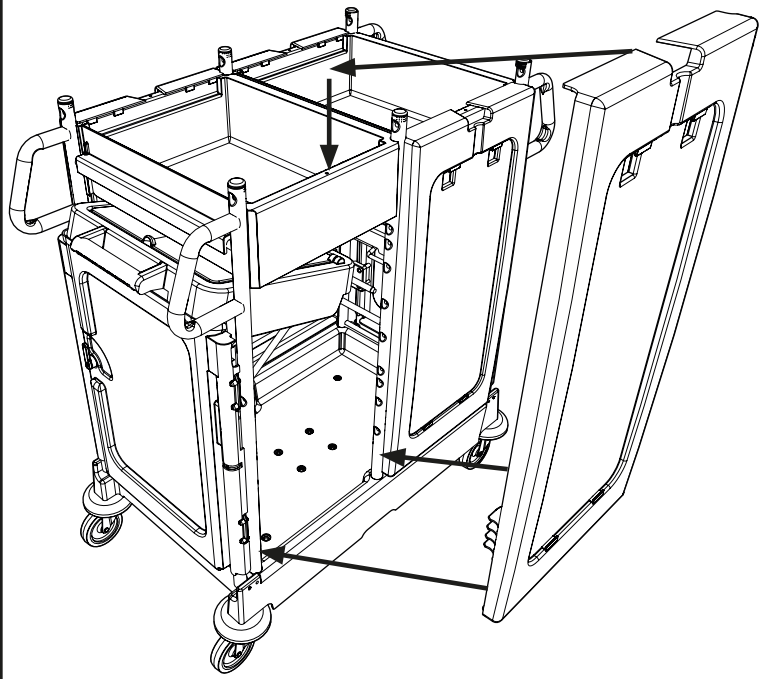
14



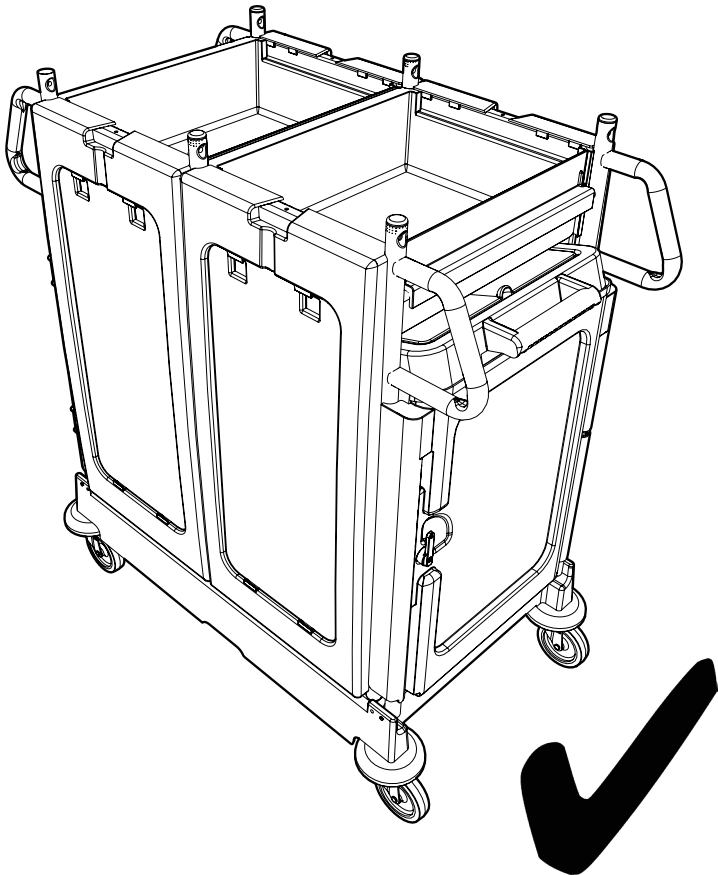
15



16

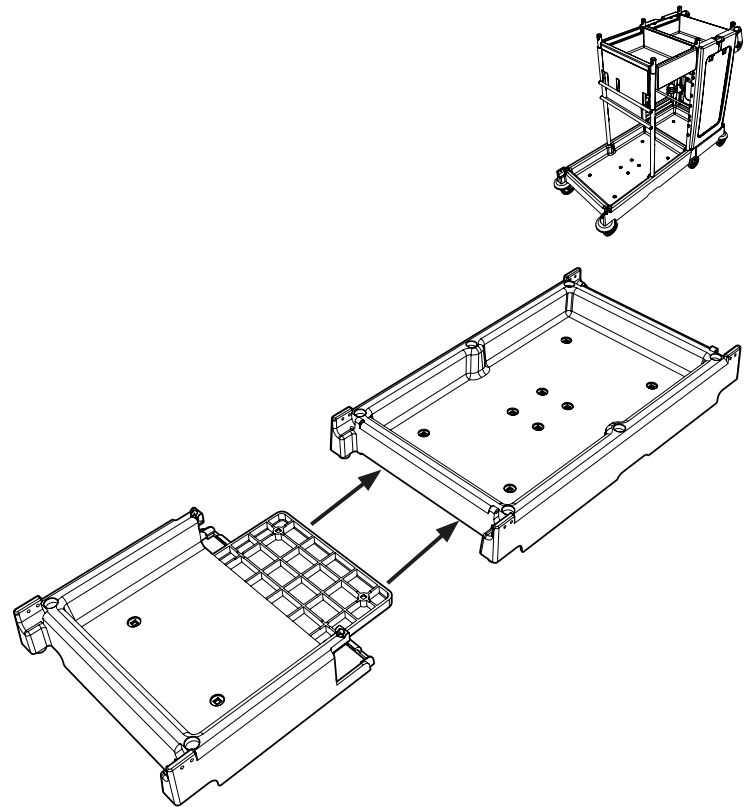


17



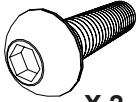
1

PM 20S Kit Boxes A / C



2

909100
M10x40



X 2

219903
M10 Form A

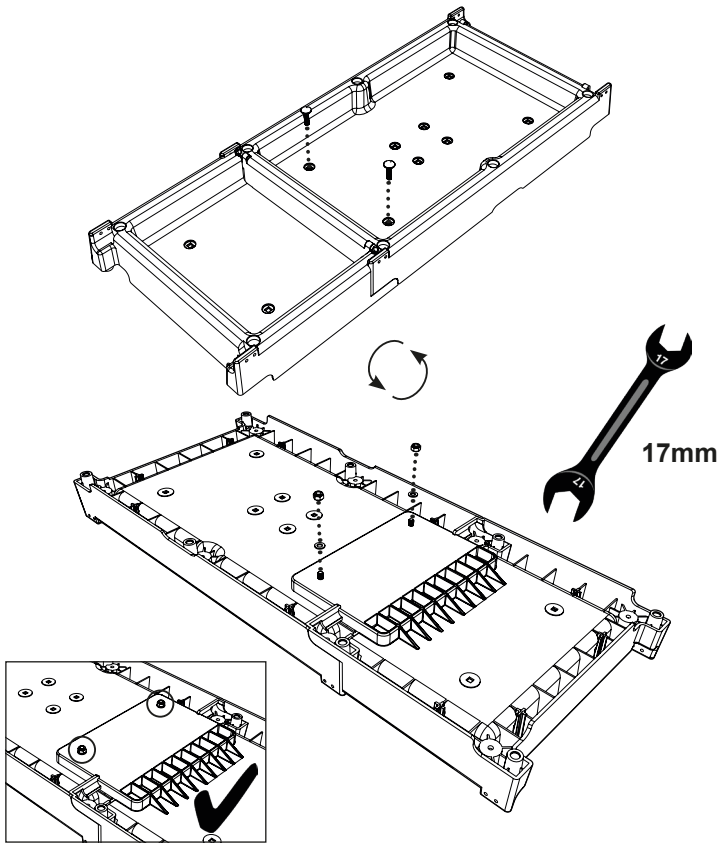


X 2

219897
M10 Nylon Insert

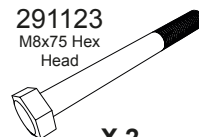


X 2



3

291123
M8x75 Hex
Head



X 2

219578
M8 Form A

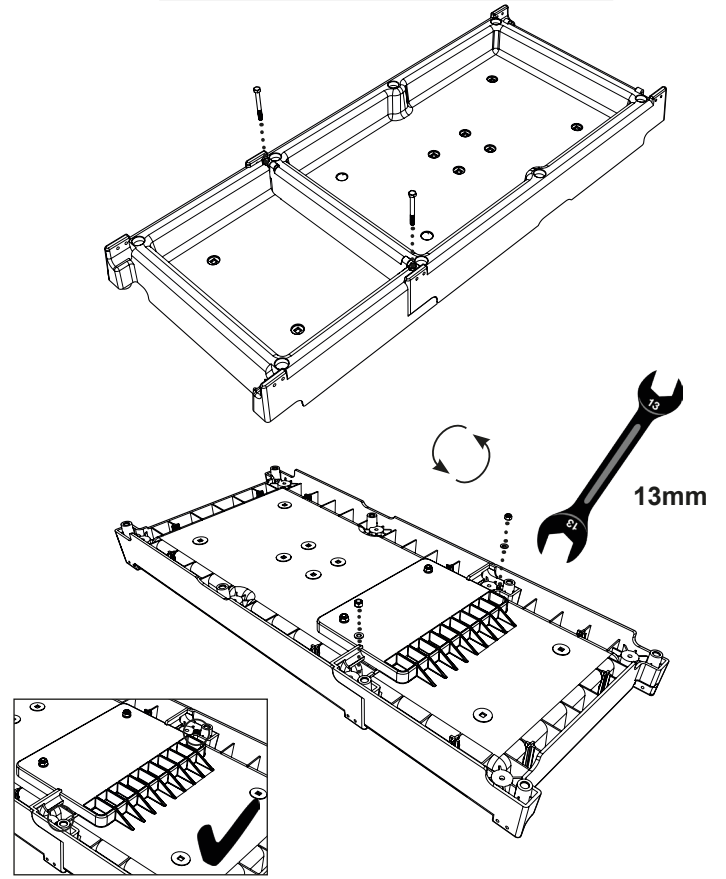


X 2

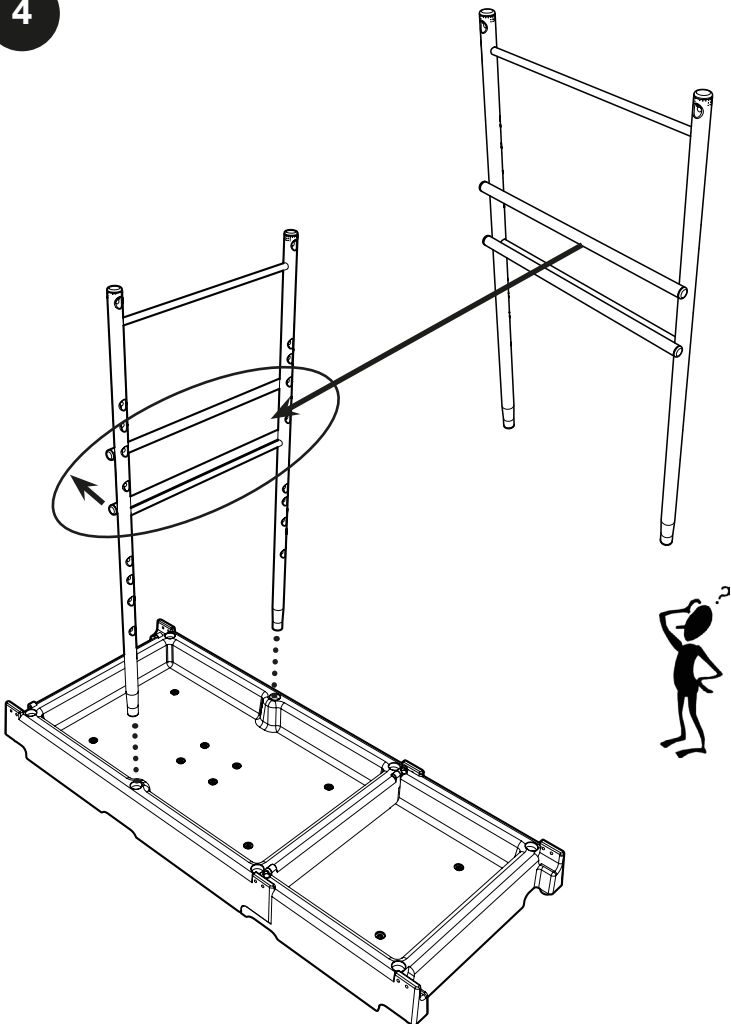
219070
M8 Nylon Insert



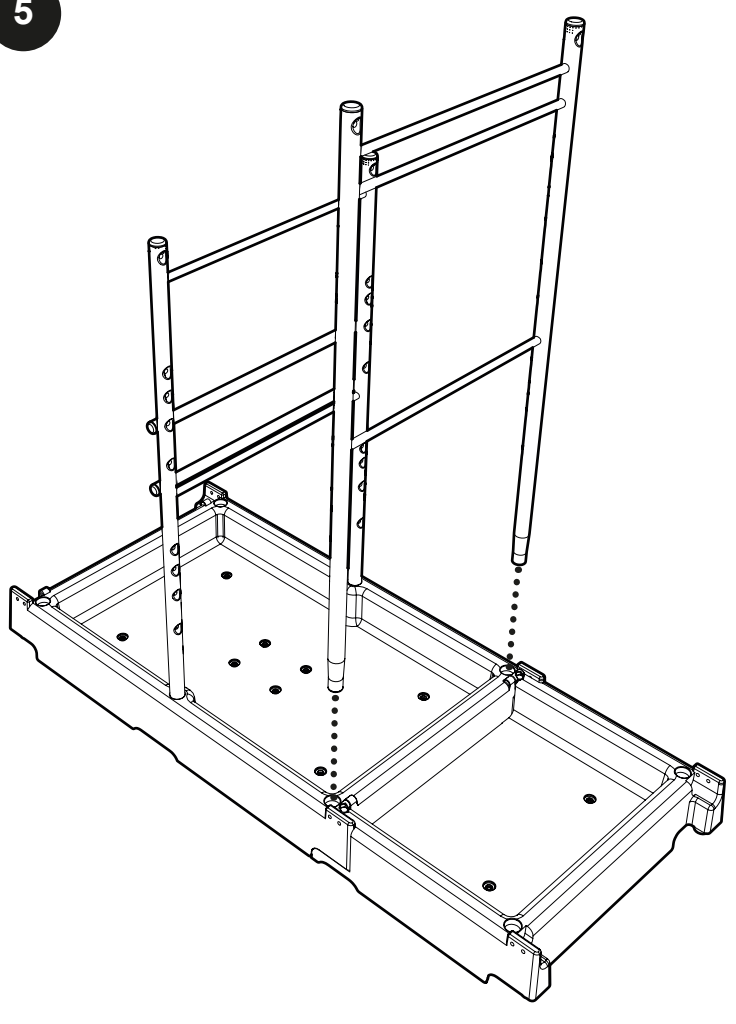
X 2



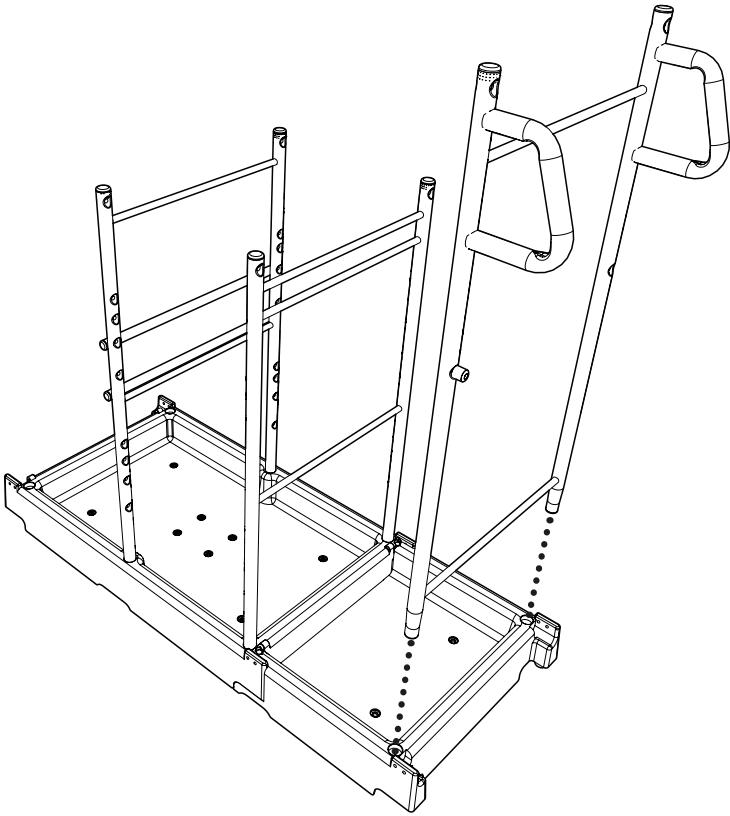
4



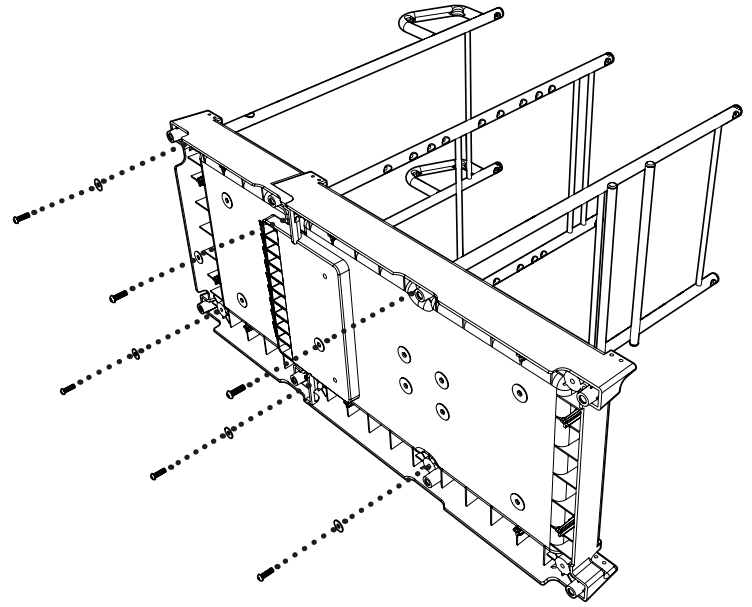
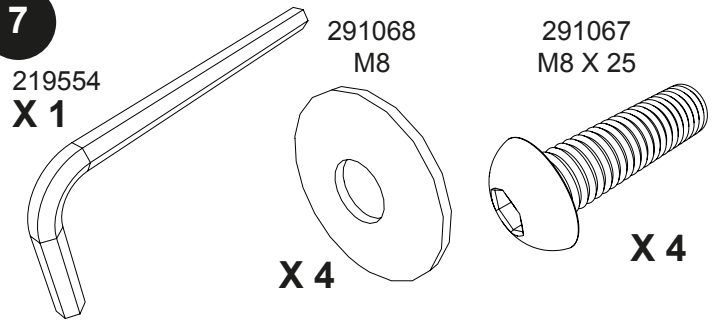
5



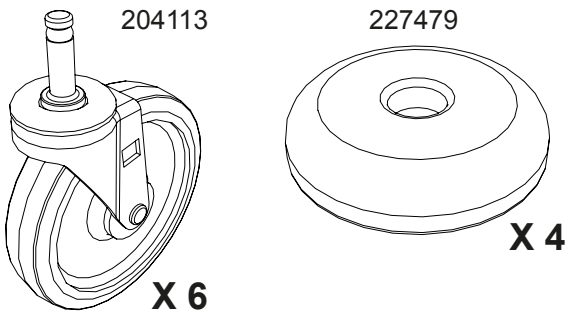
6



7

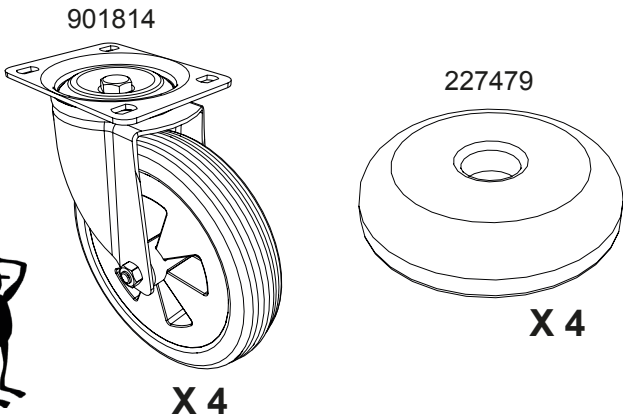
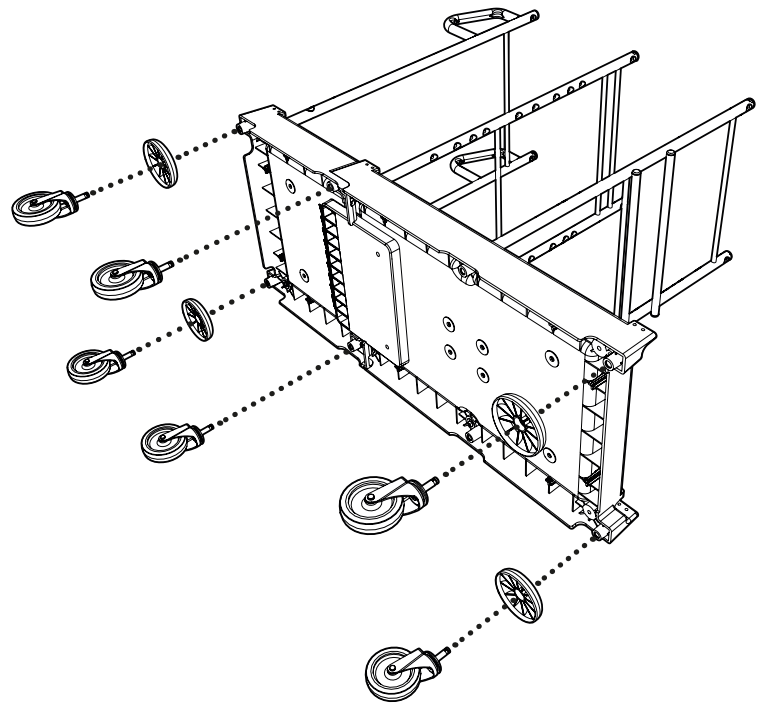


8

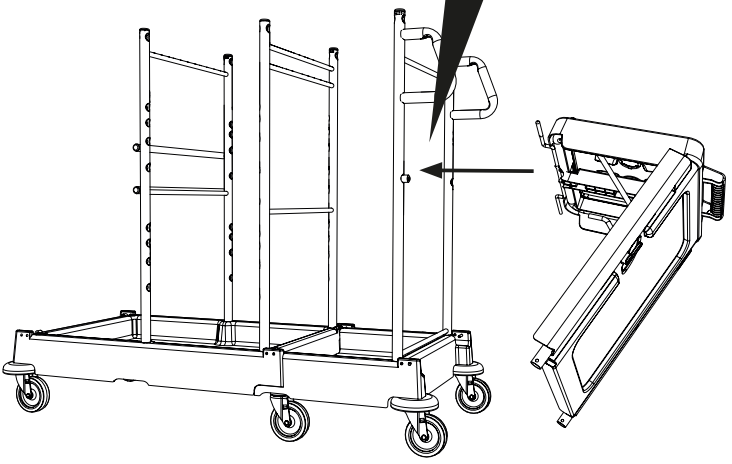
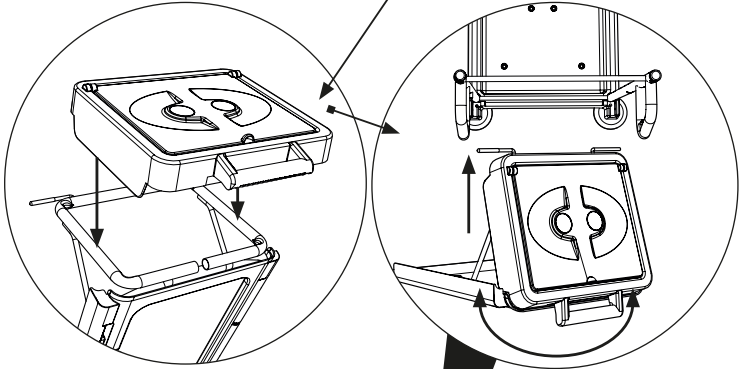
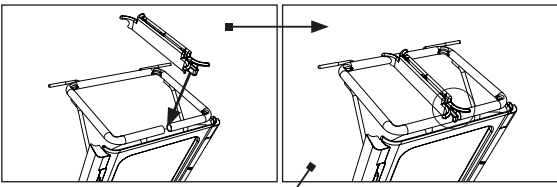


Page - 8-11

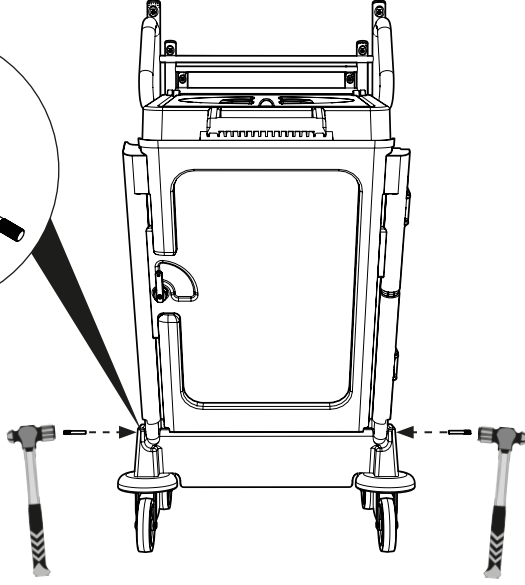
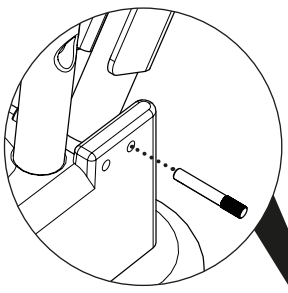
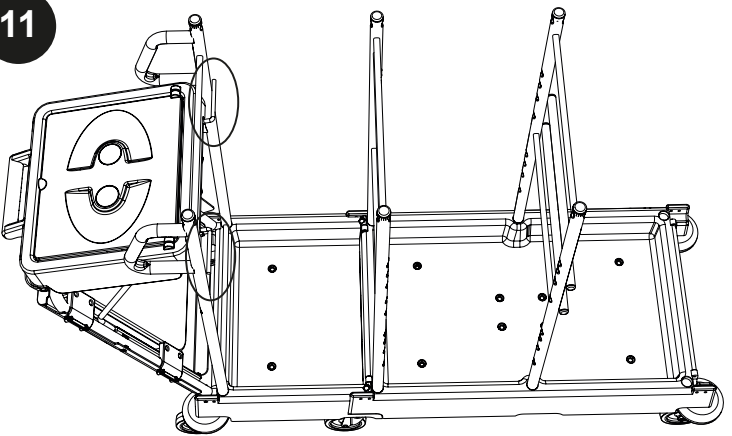
9



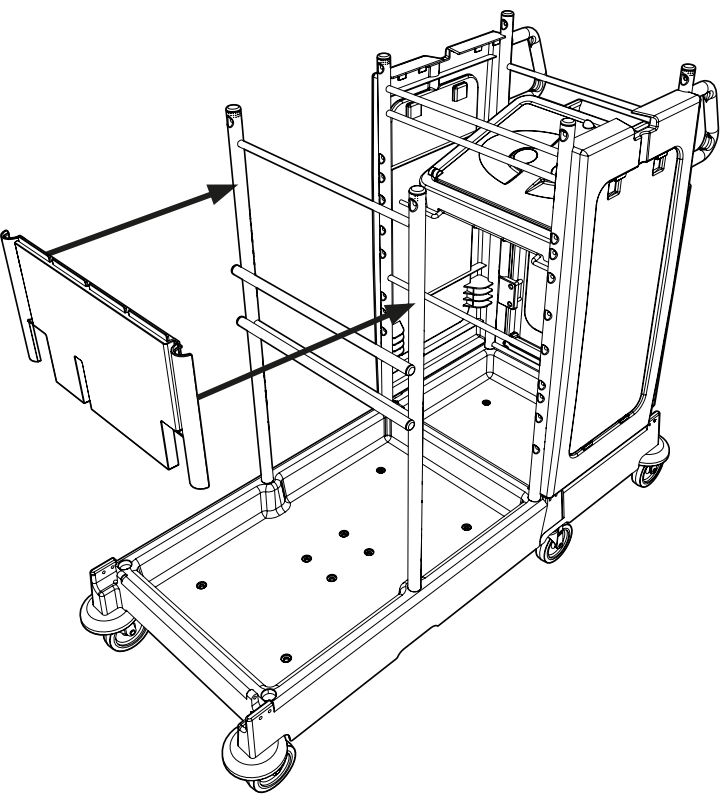
10



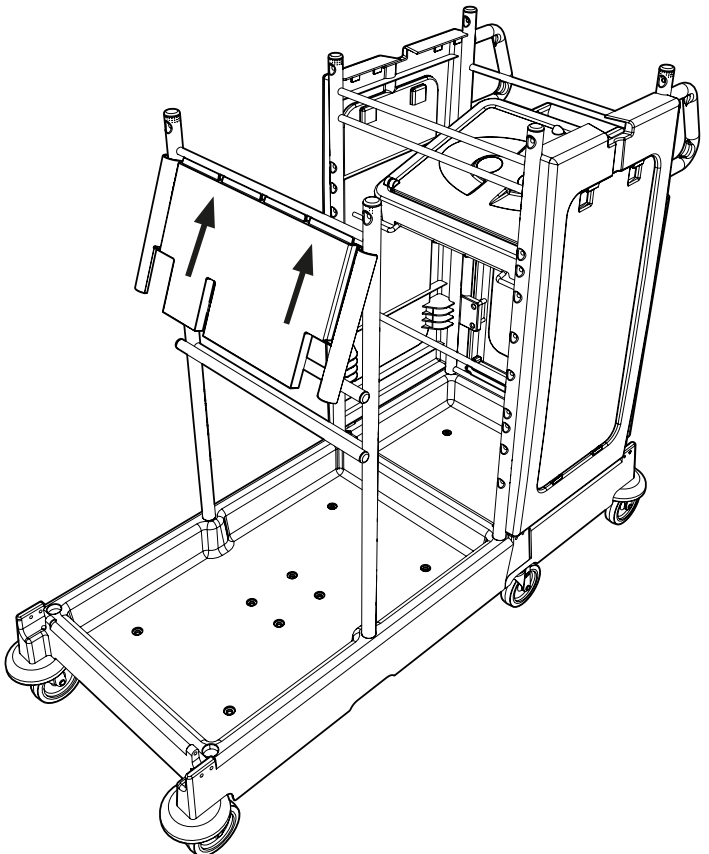
11



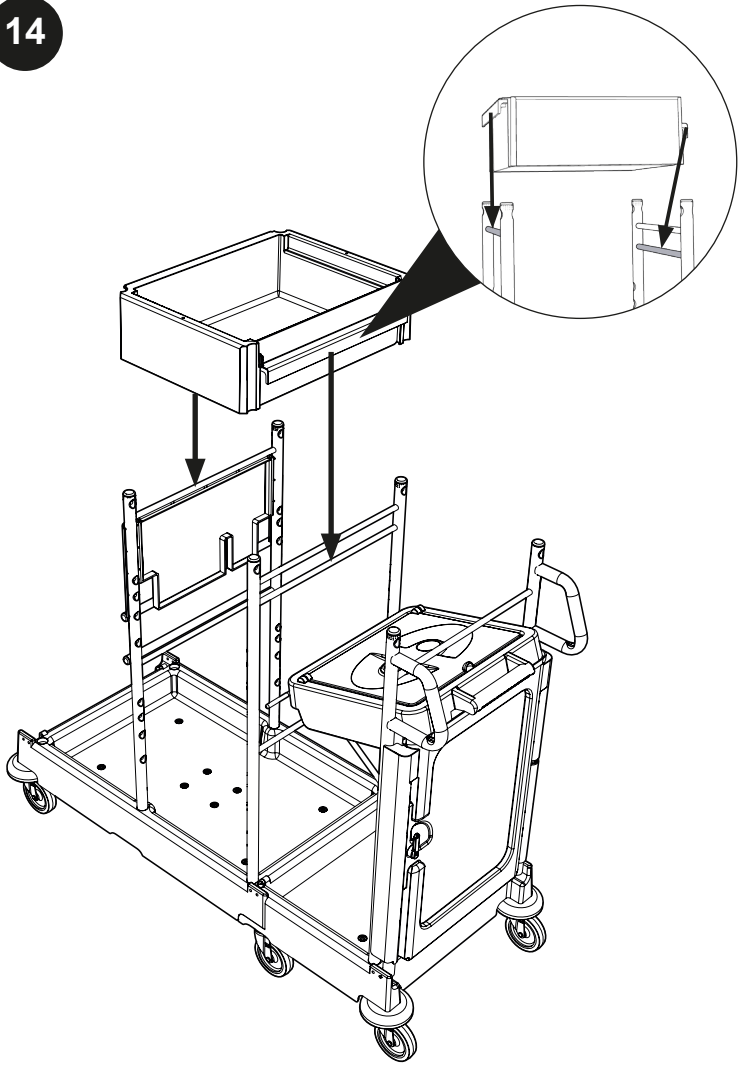
12



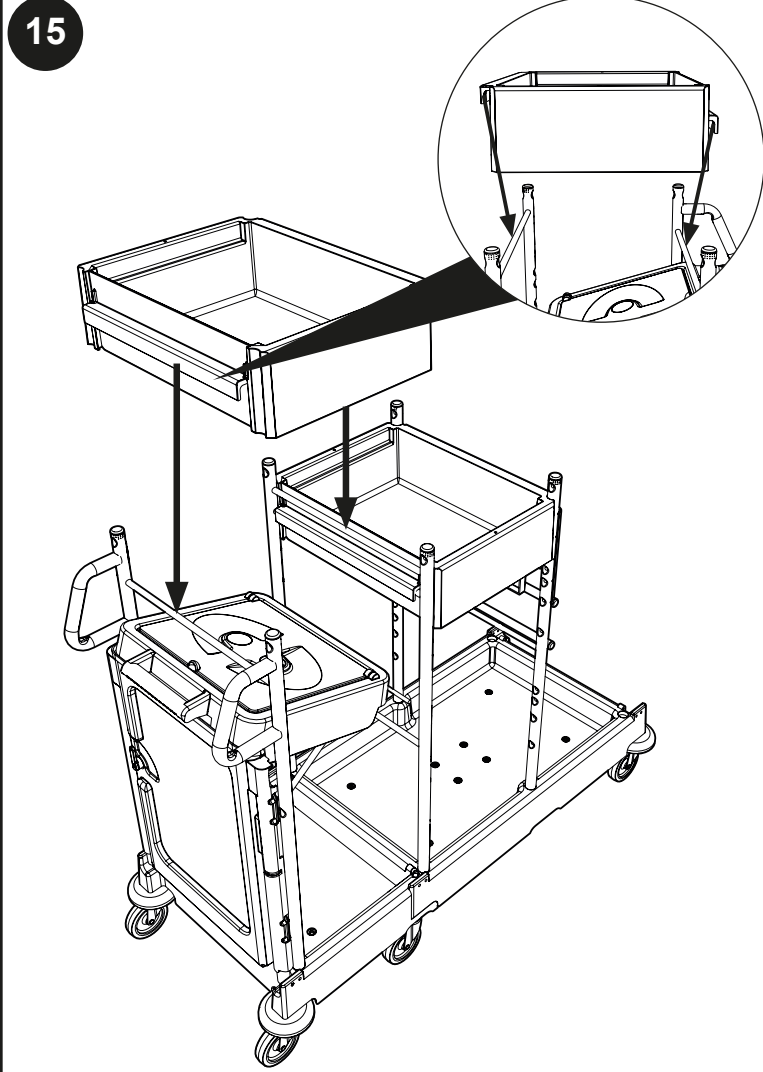
13



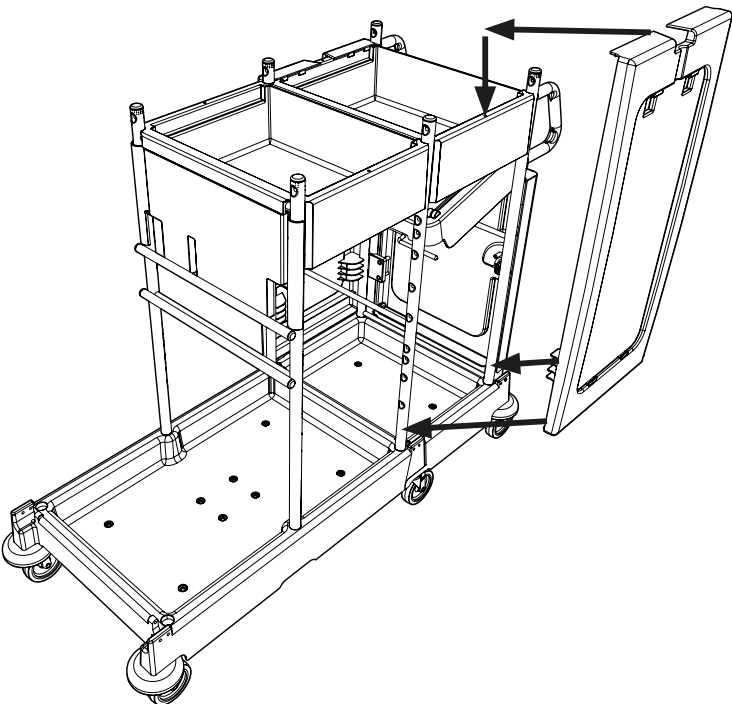
14



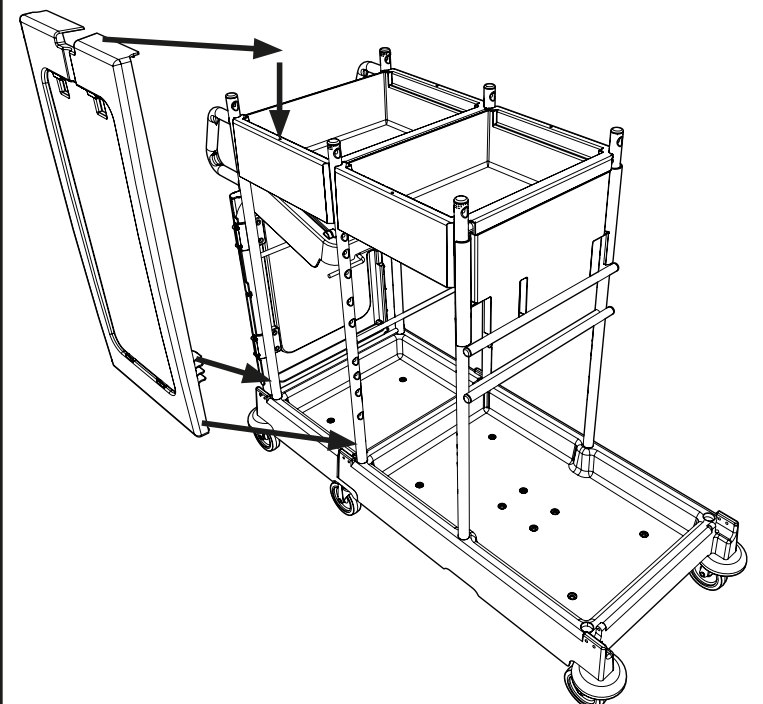
15

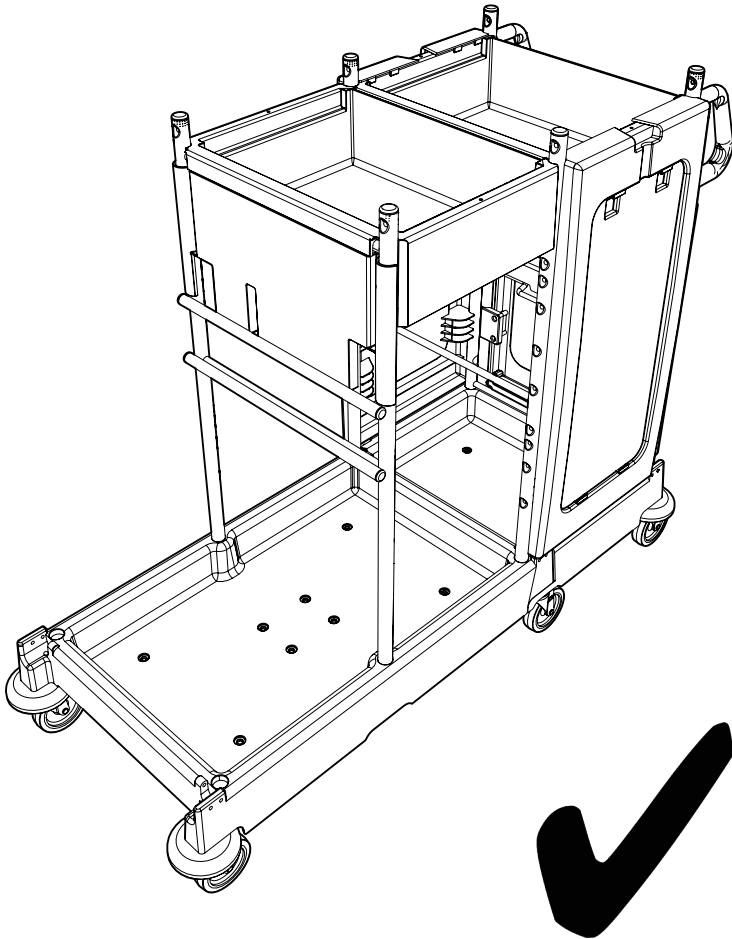


16



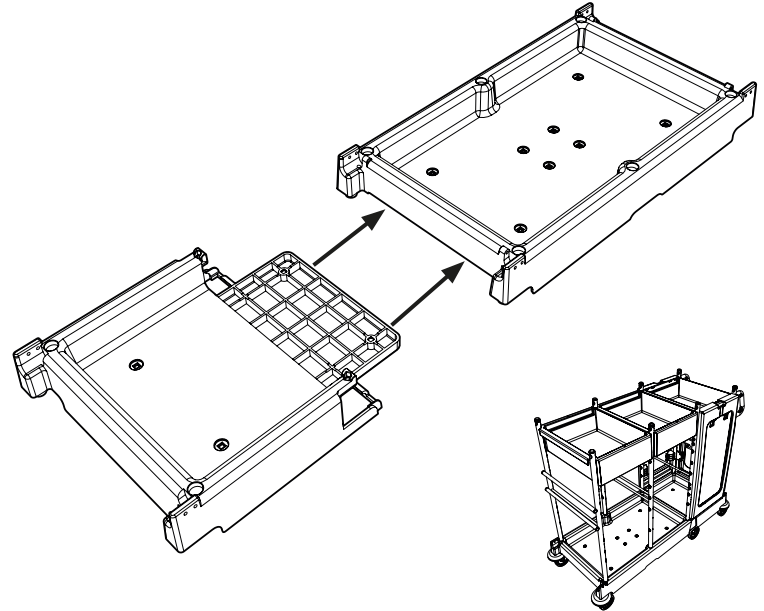
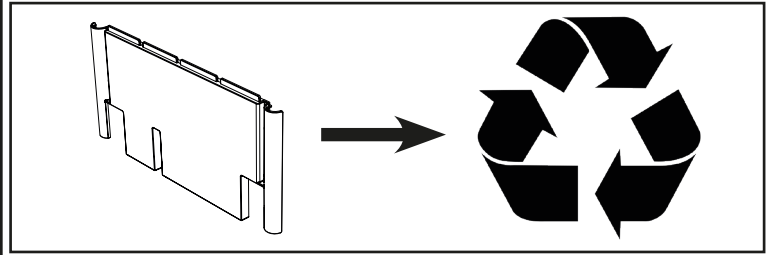
17





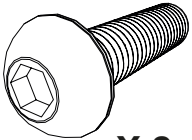
1

PM 21S Kit Boxes A / C / F



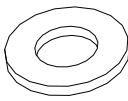
2

909100
M10x40



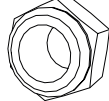
X 2

219903
M10 Nylon Insert

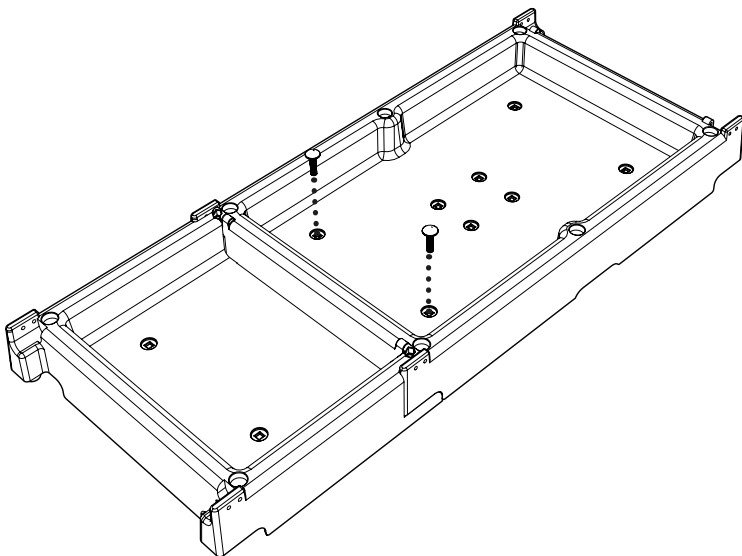


X 2

219897
M10 Nylon Insert



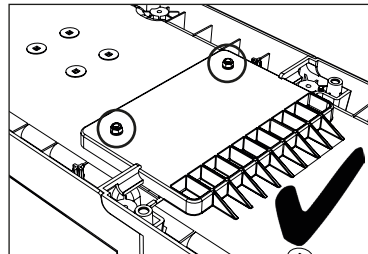
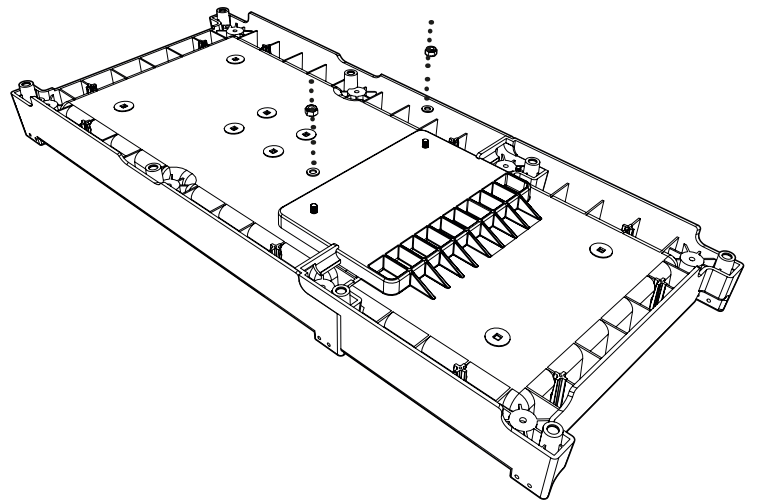
X 2



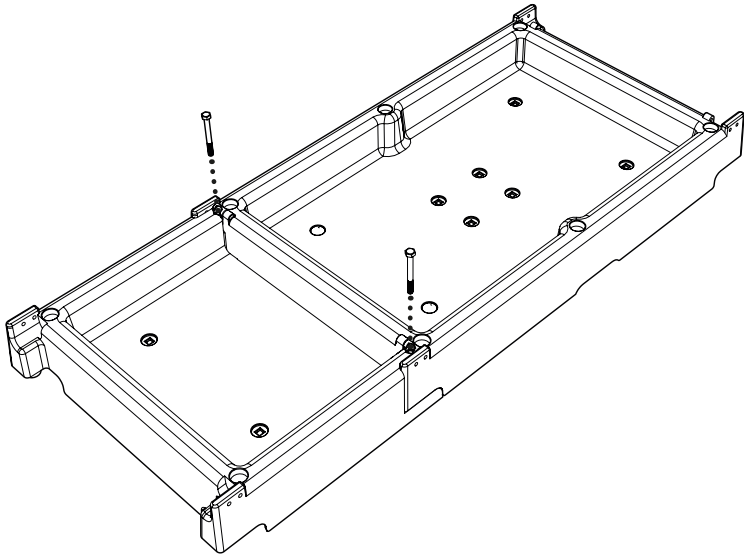
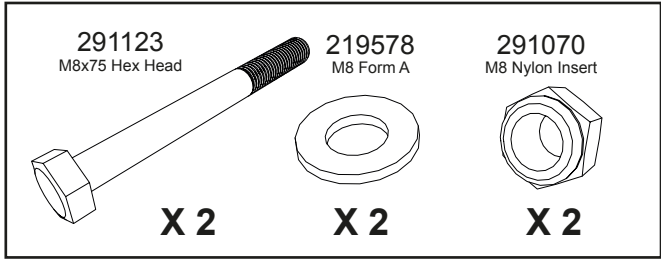
3



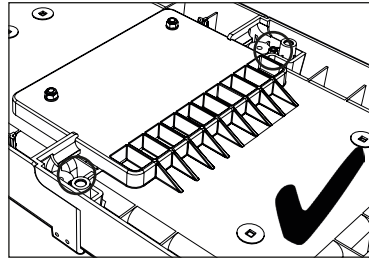
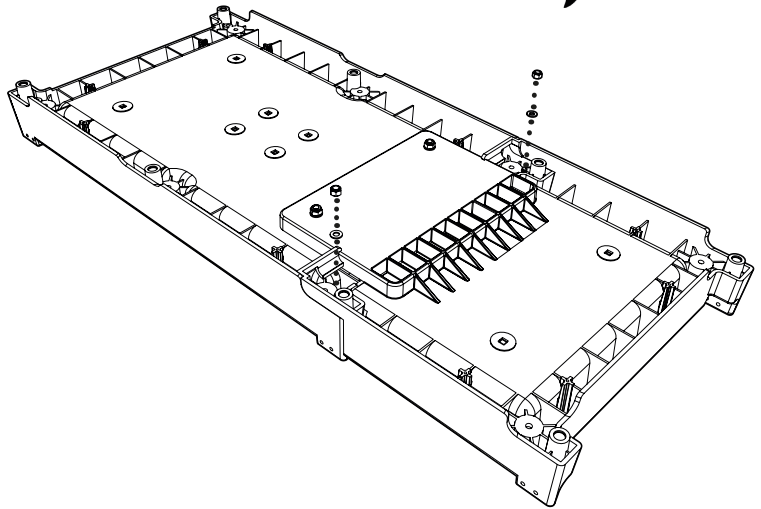
17mm



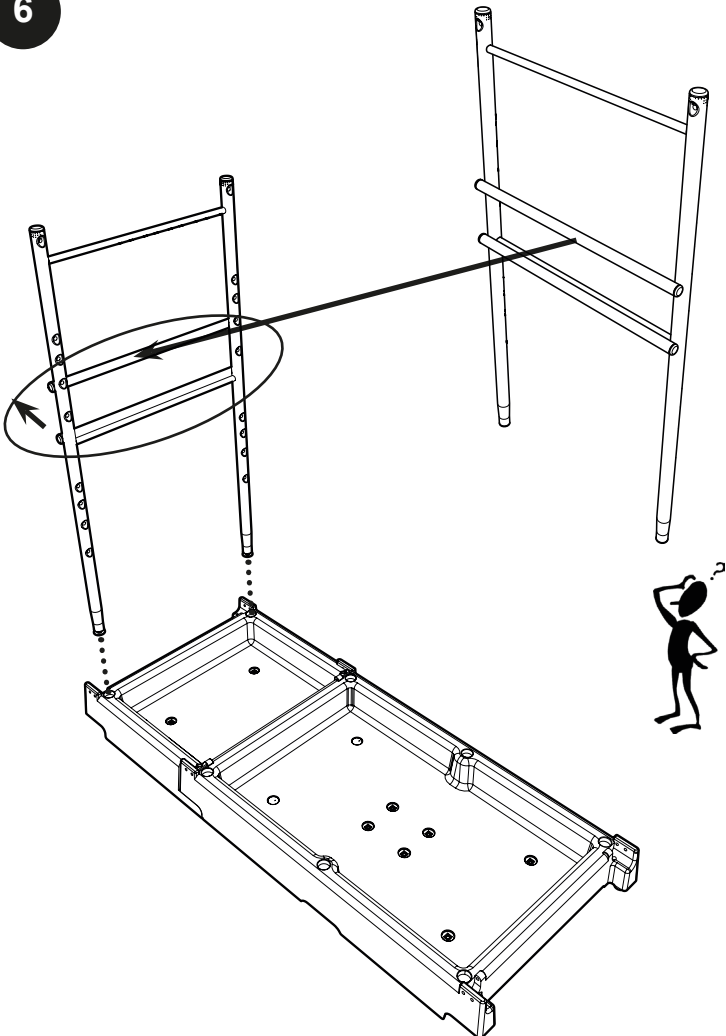
4



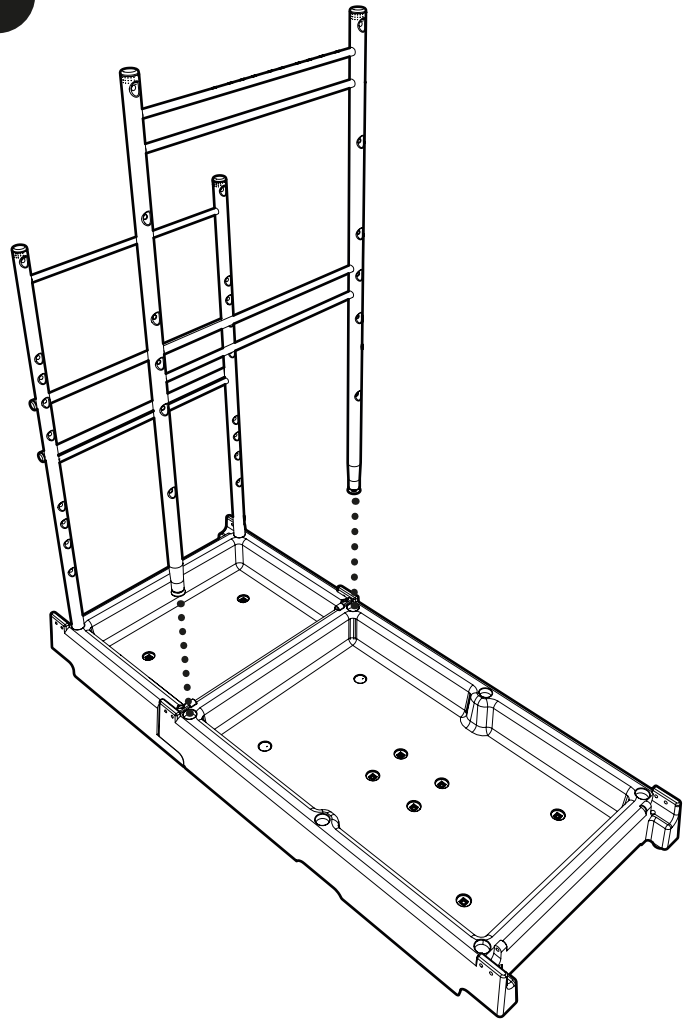
5



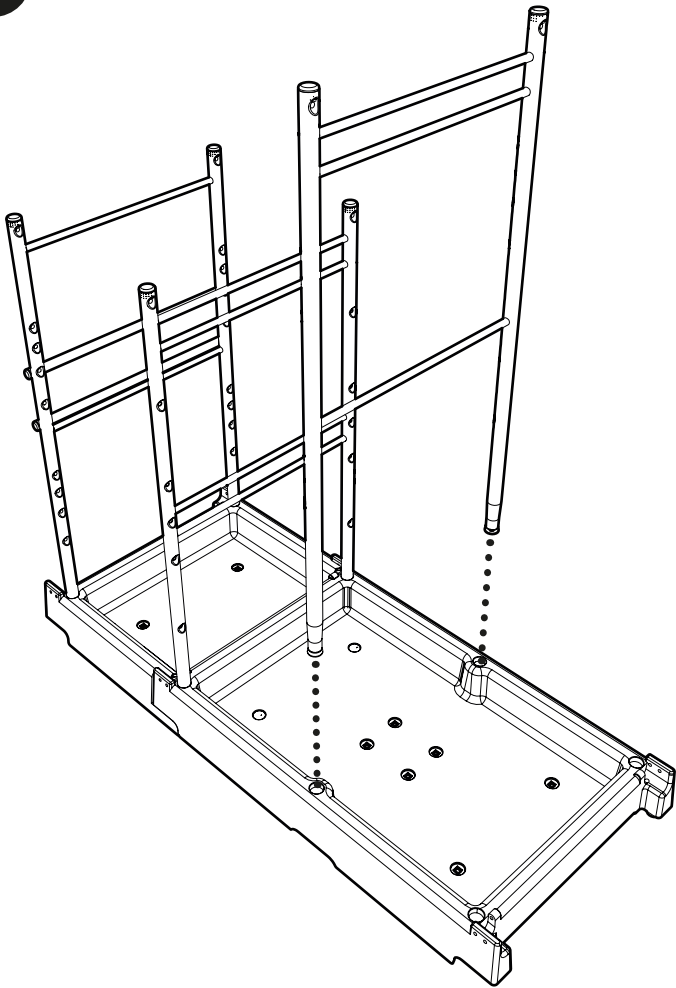
6



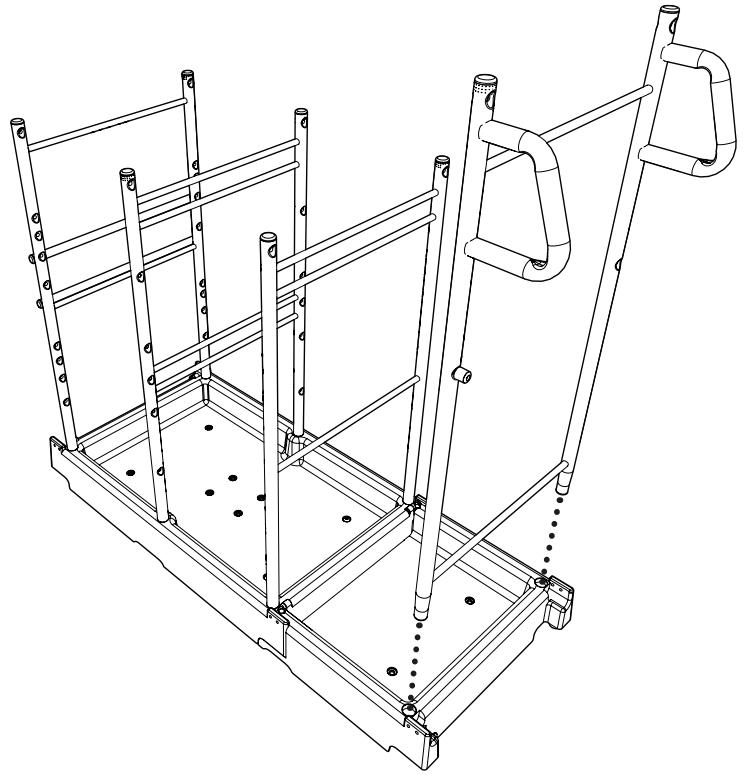
7



8

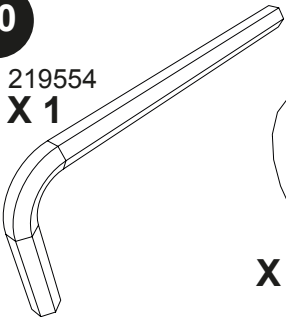


9



10

219554
X 1

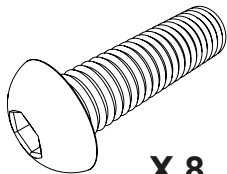


291068
M8



X 8

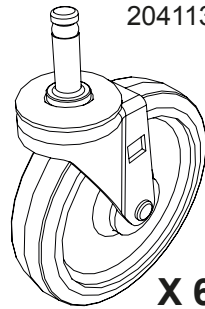
291067
M8 X 25



X 8

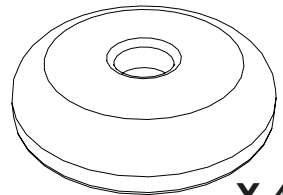
11

204113

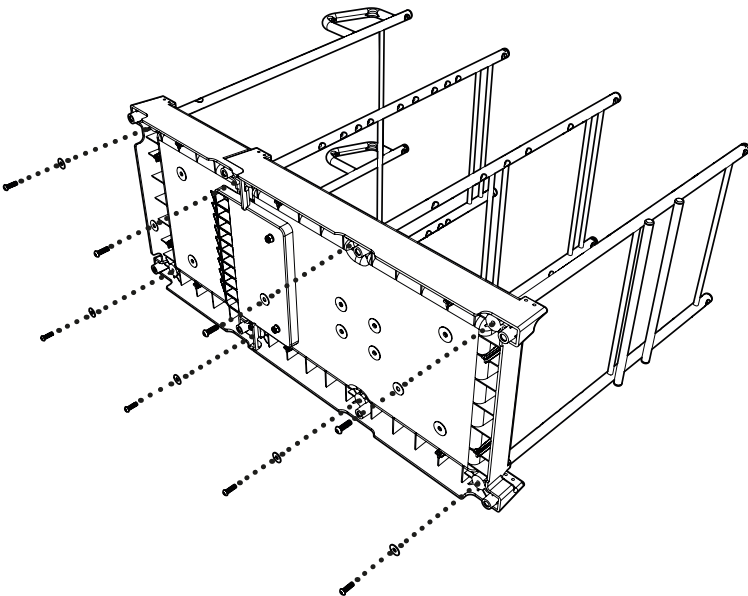


X 6

227479

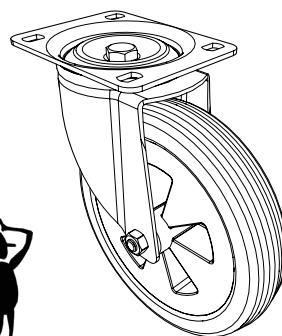


X 4



Page - 8-11

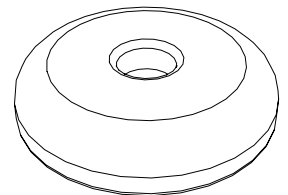
901814



X 4

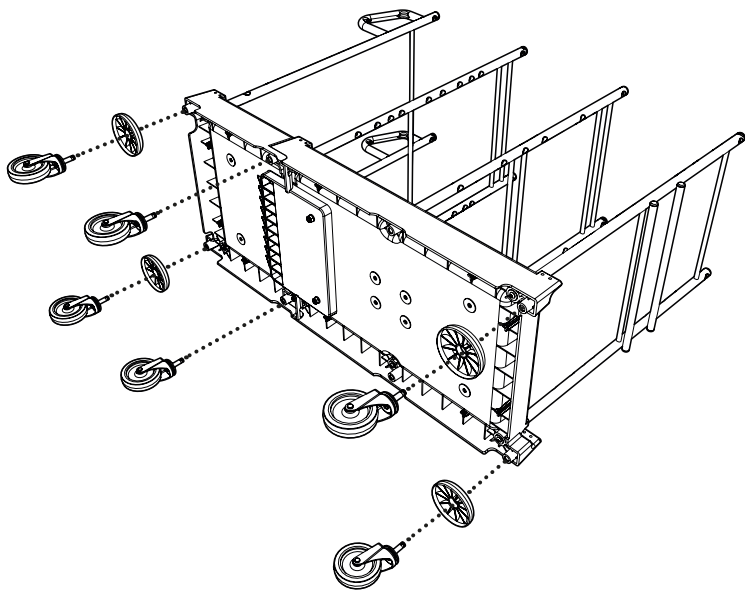


227479

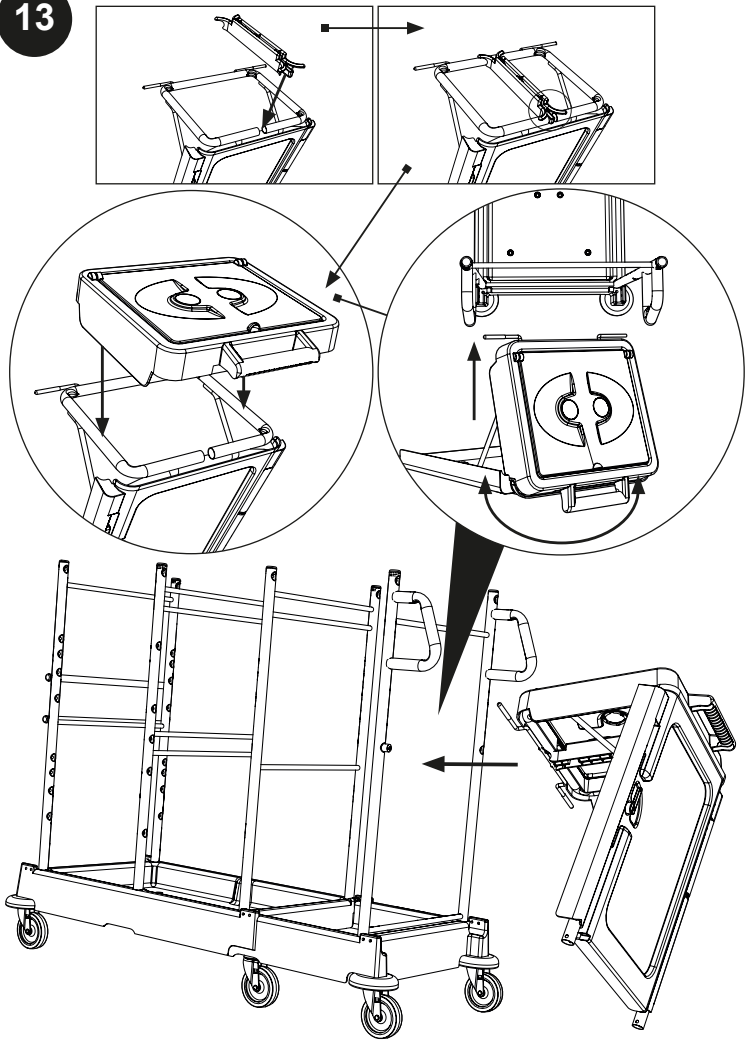


X 4

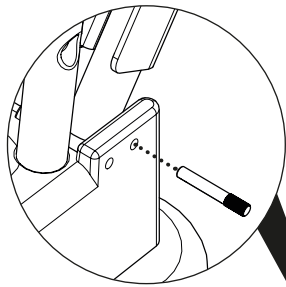
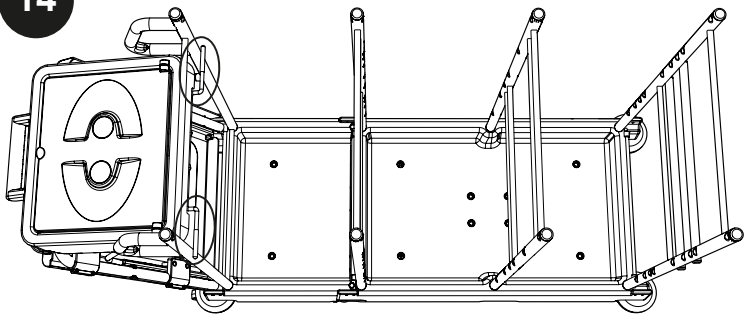
12



13

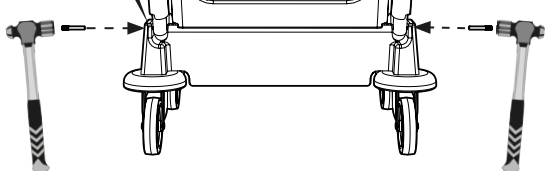


14

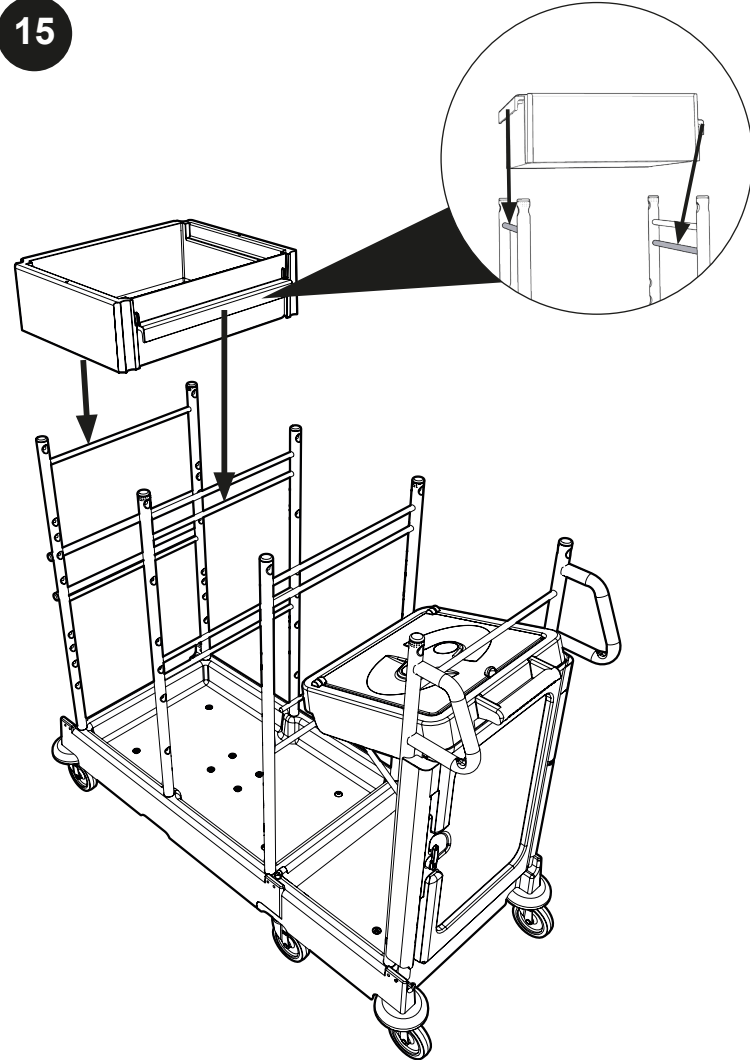


909096

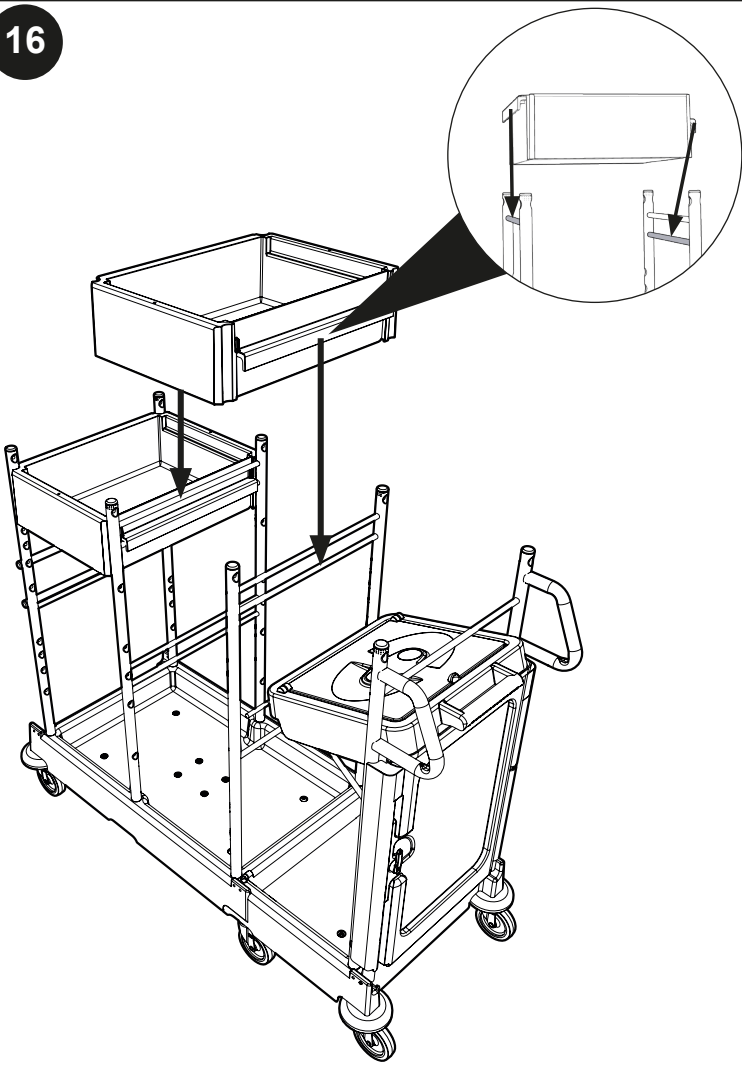
X 2



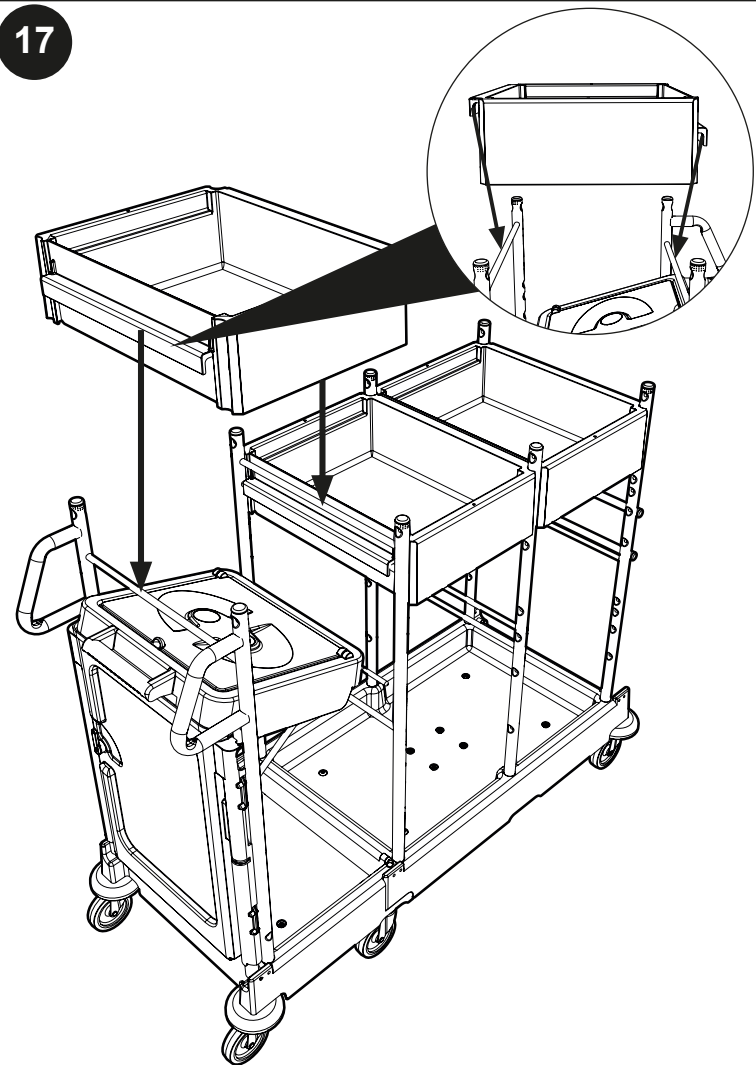
15



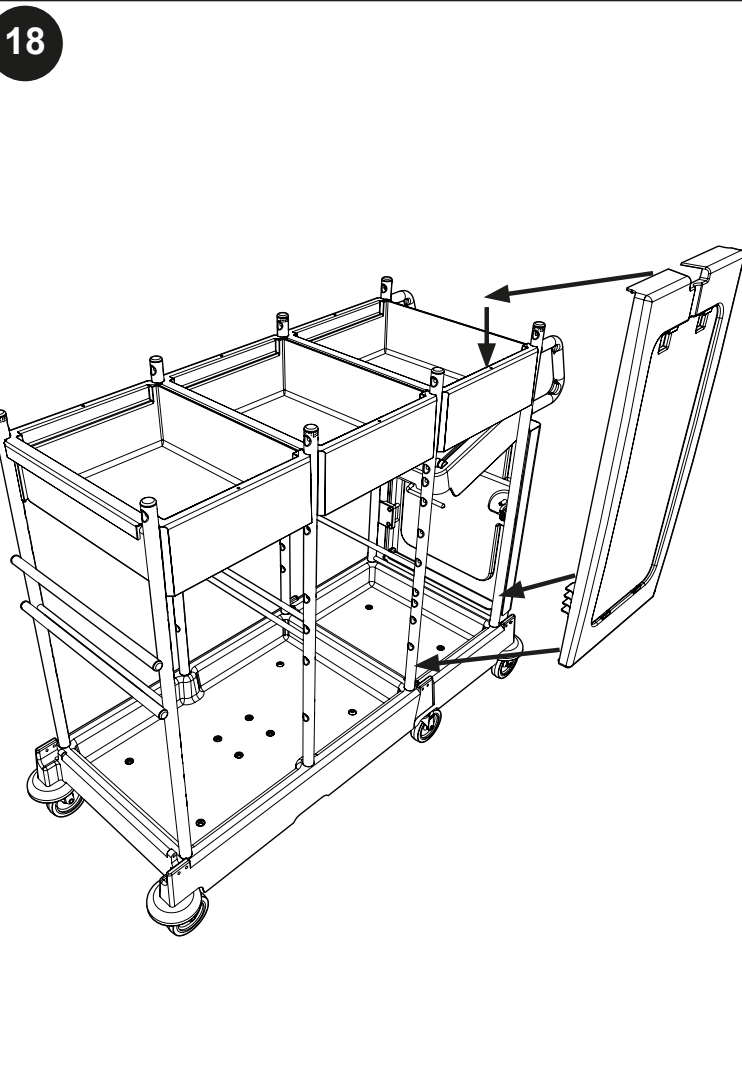
16



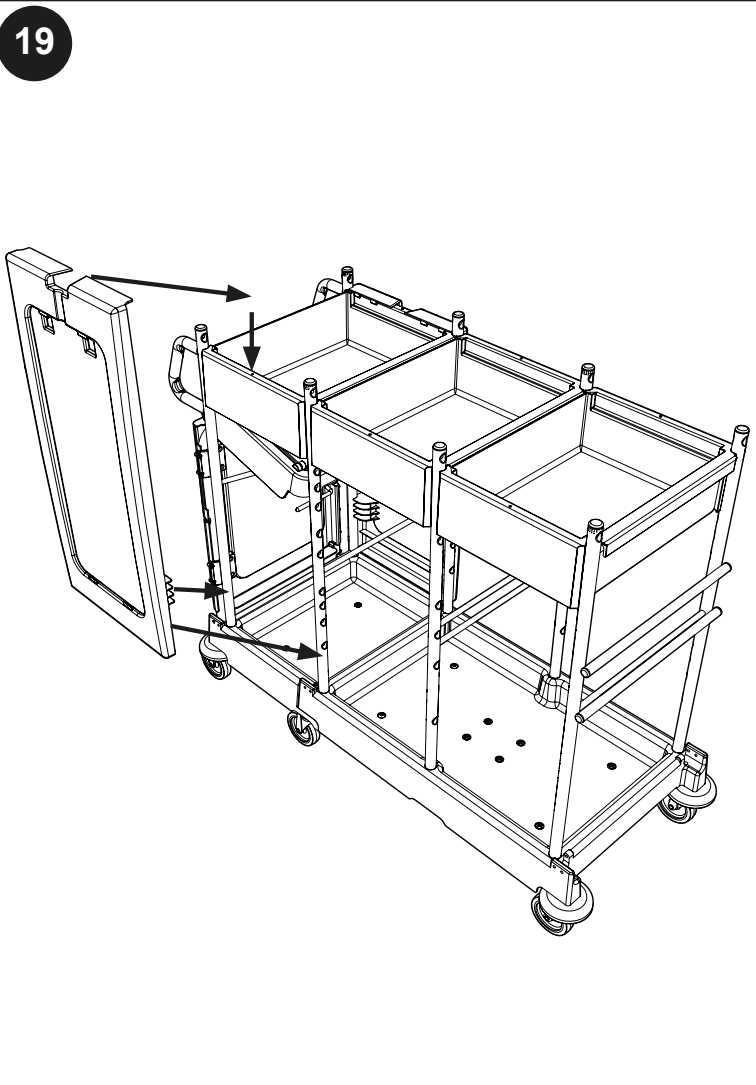
17



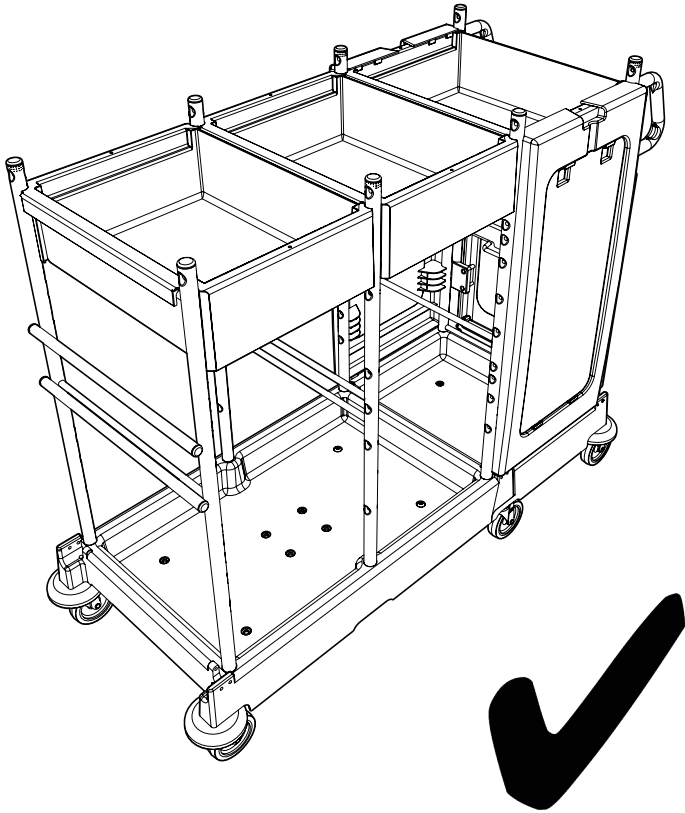
18



19

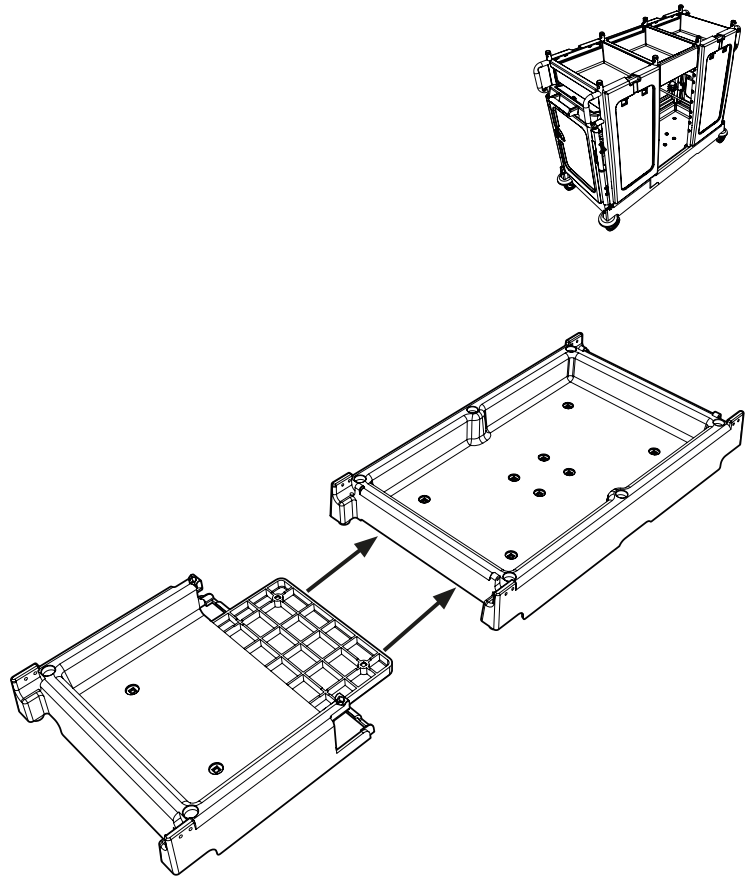


20



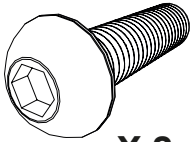
1

PM 22S Kit Boxes B / C



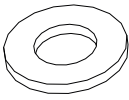
2

909100
M10x40



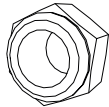
X 2

219903
M10 Form A

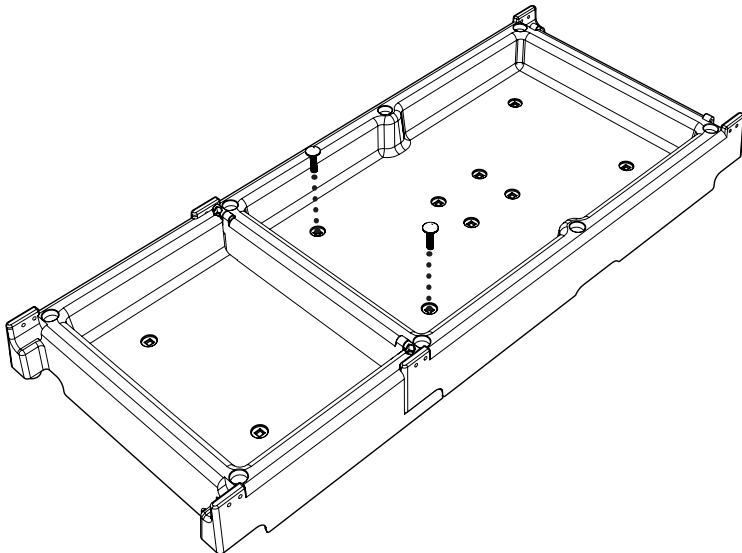


X 2

219897
M10 Nylon Insert



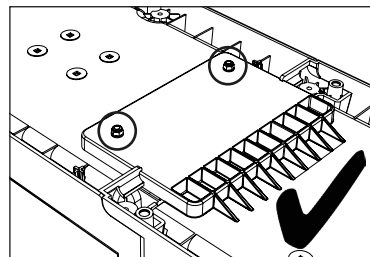
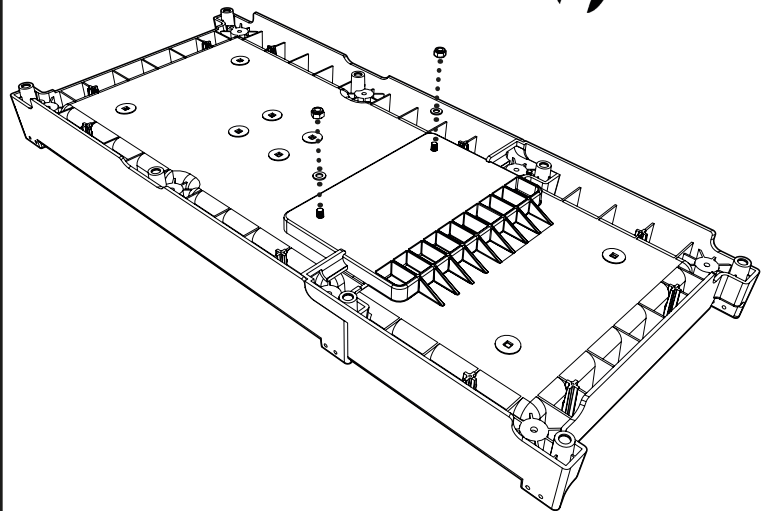
X 2



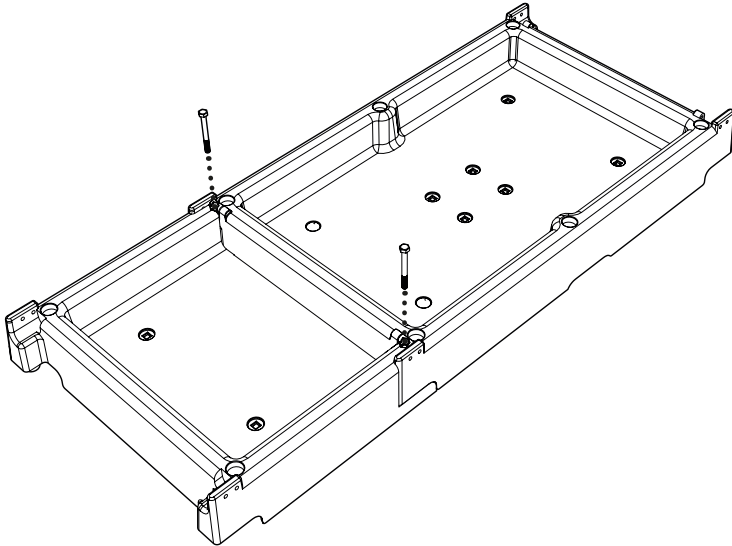
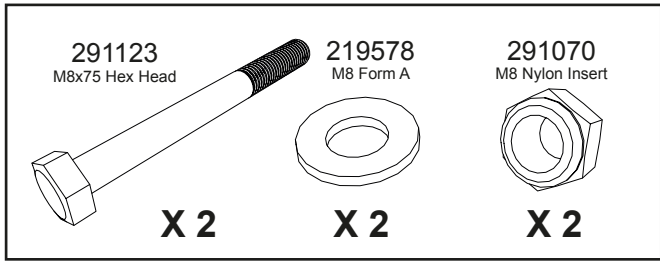
3



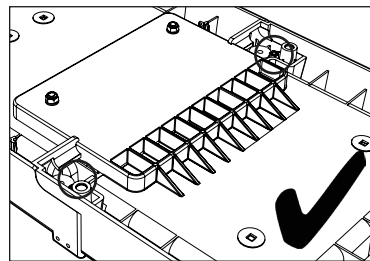
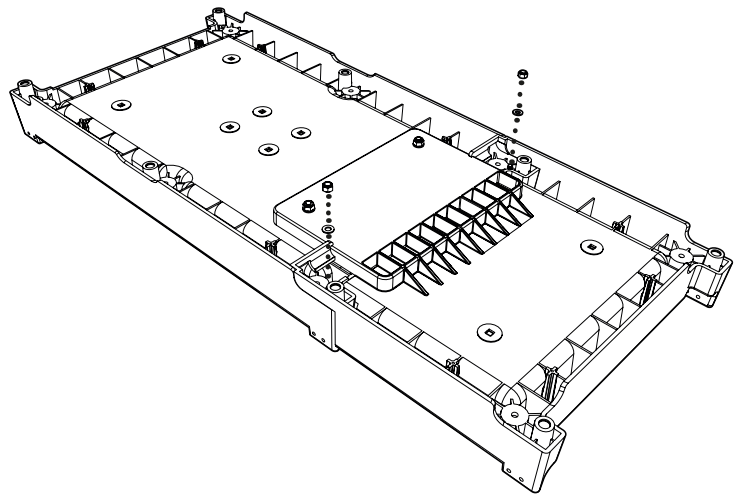
17mm



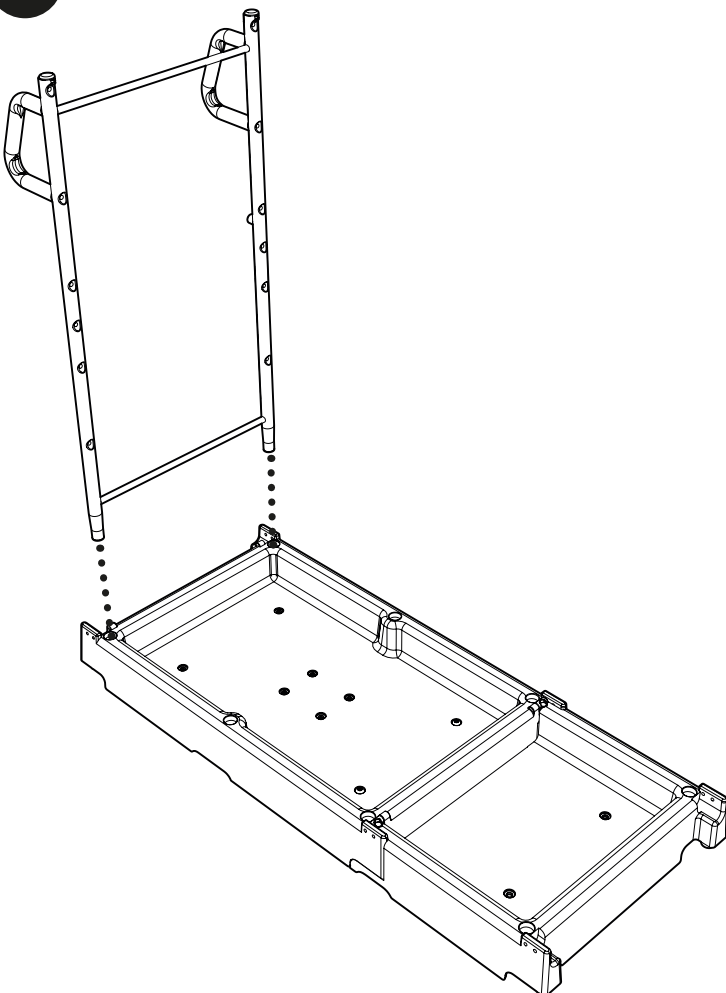
4



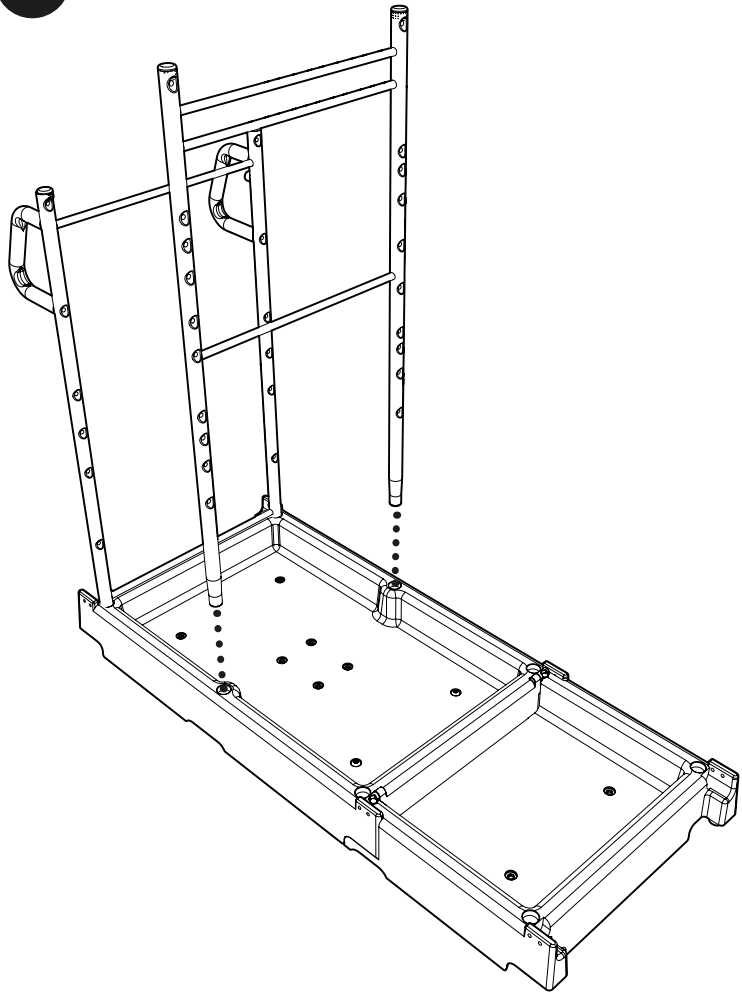
5



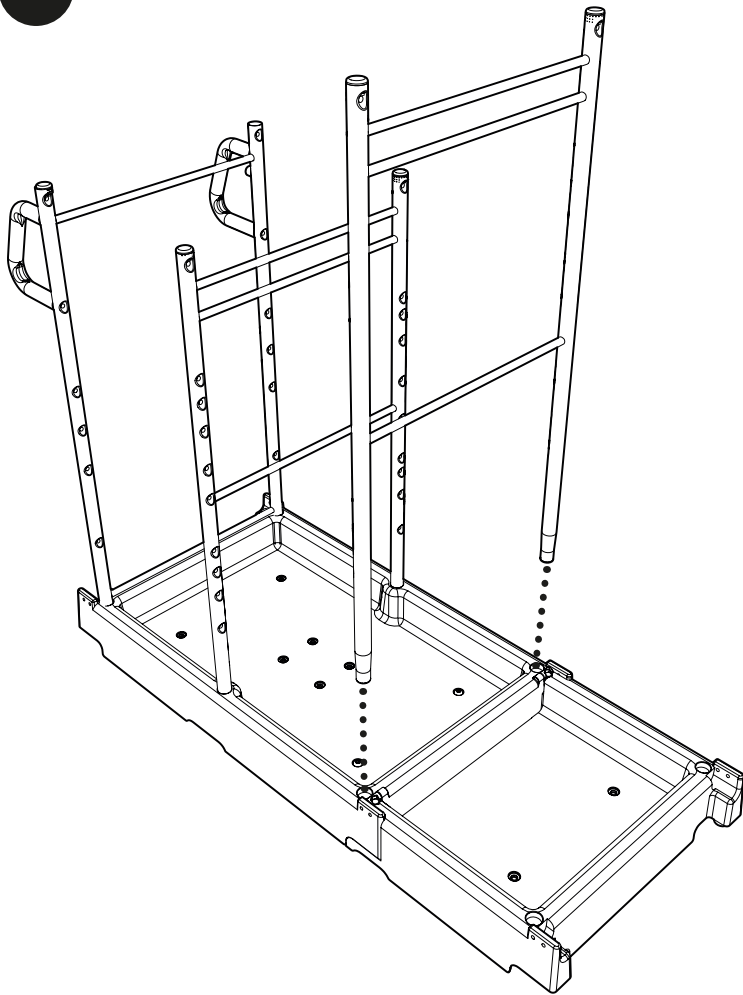
6



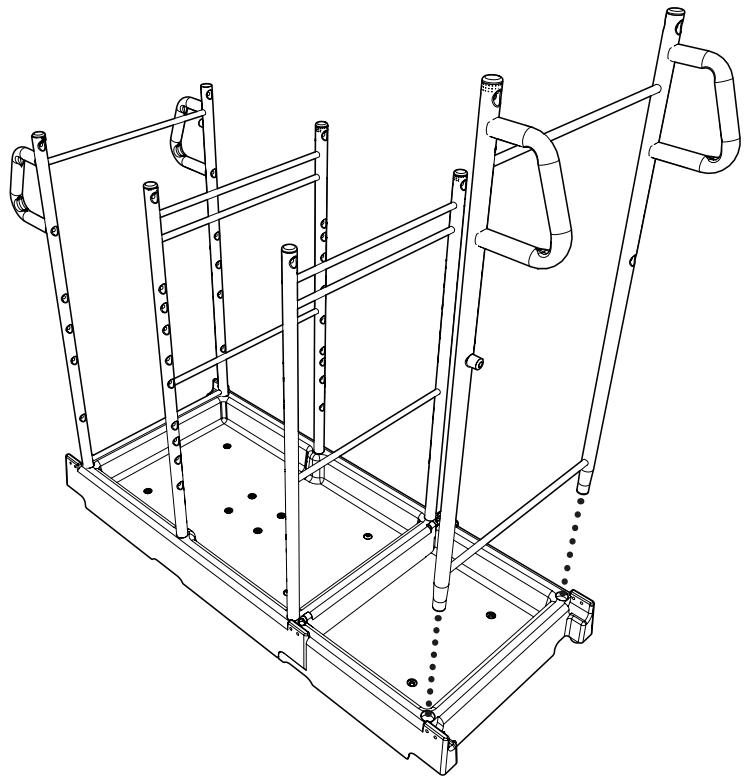
7



8



9



10

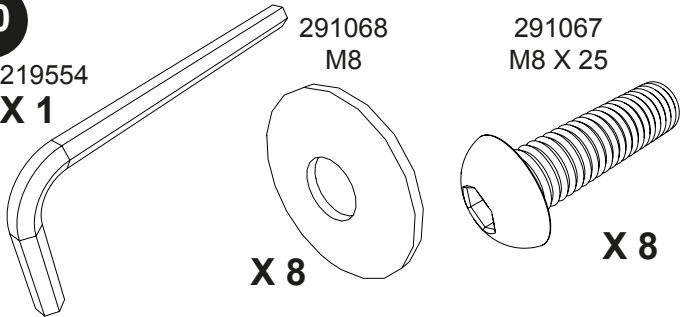
219554
X 1

291068
M8

291067
M8 X 25

X 8

X 8



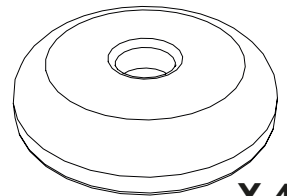
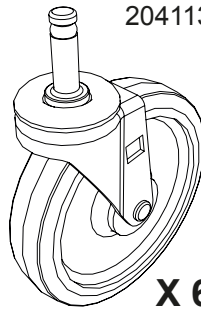
11

204113

227479

X 6

X 4

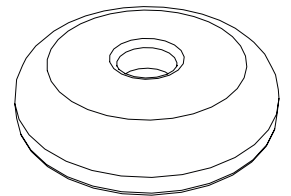
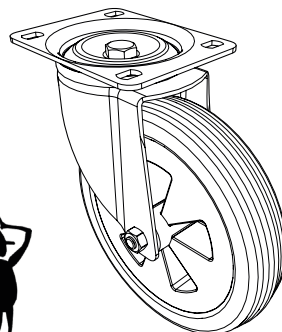


Page - 8-11

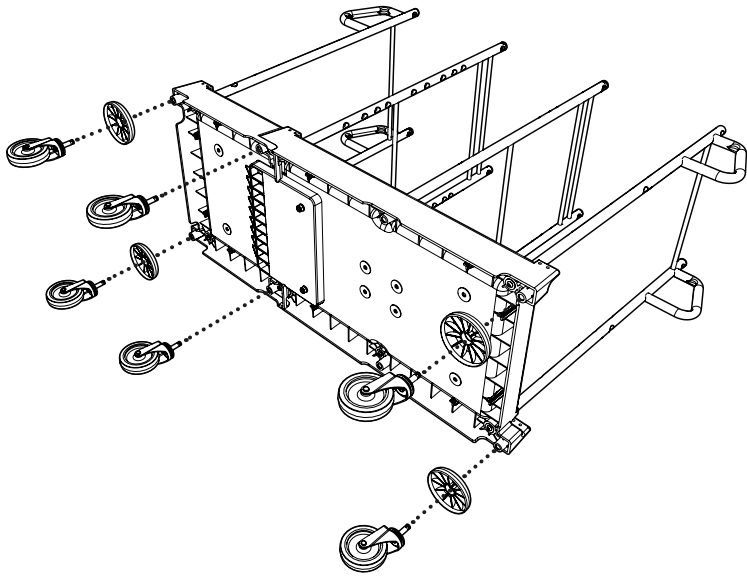
X 4

227479

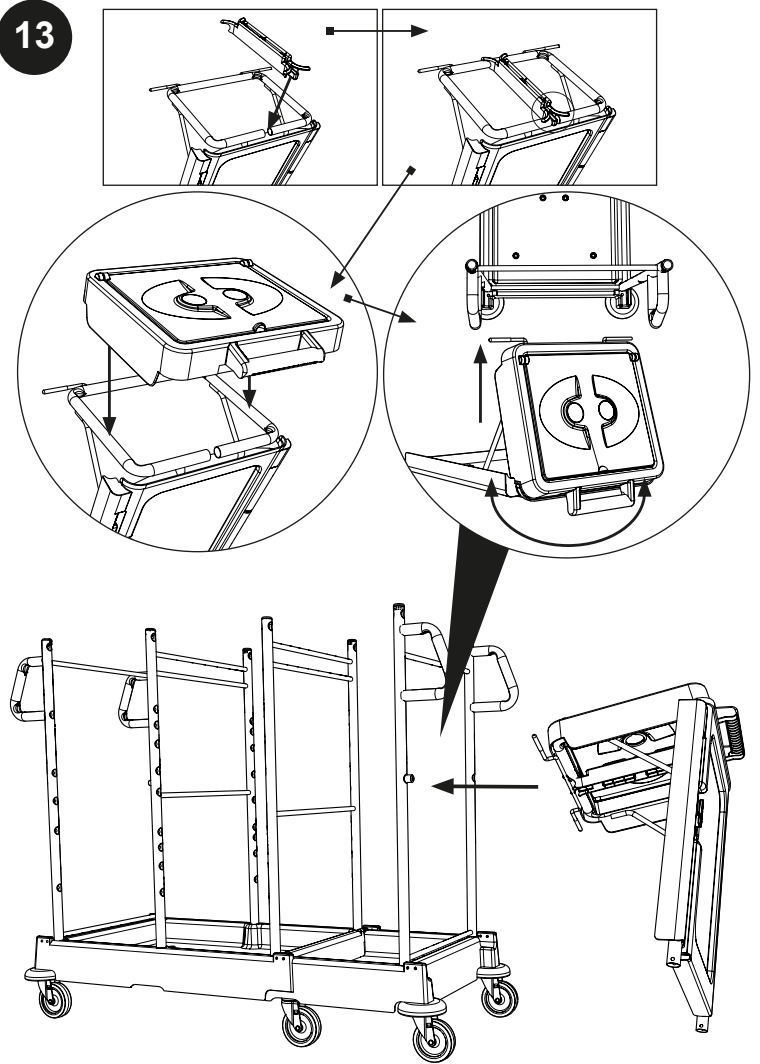
X 4



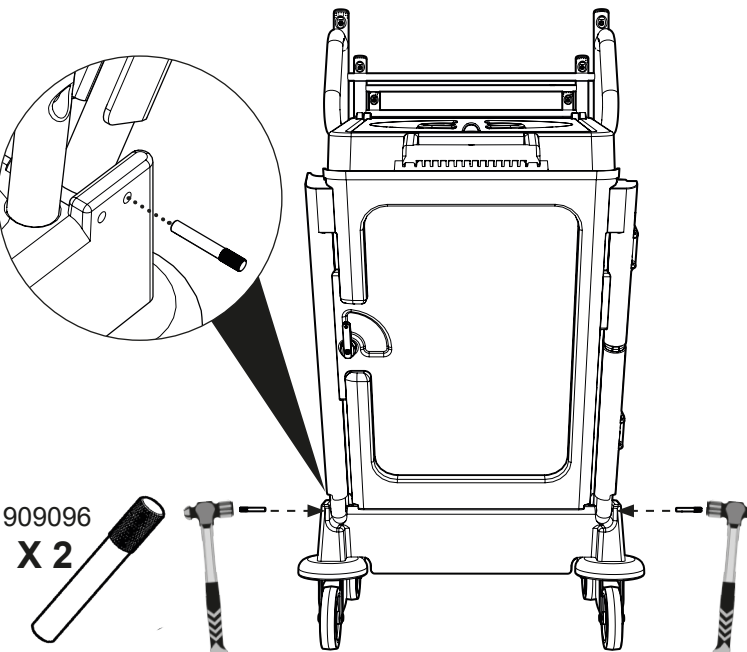
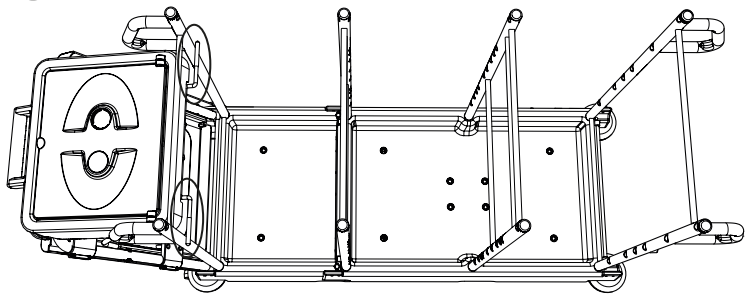
12



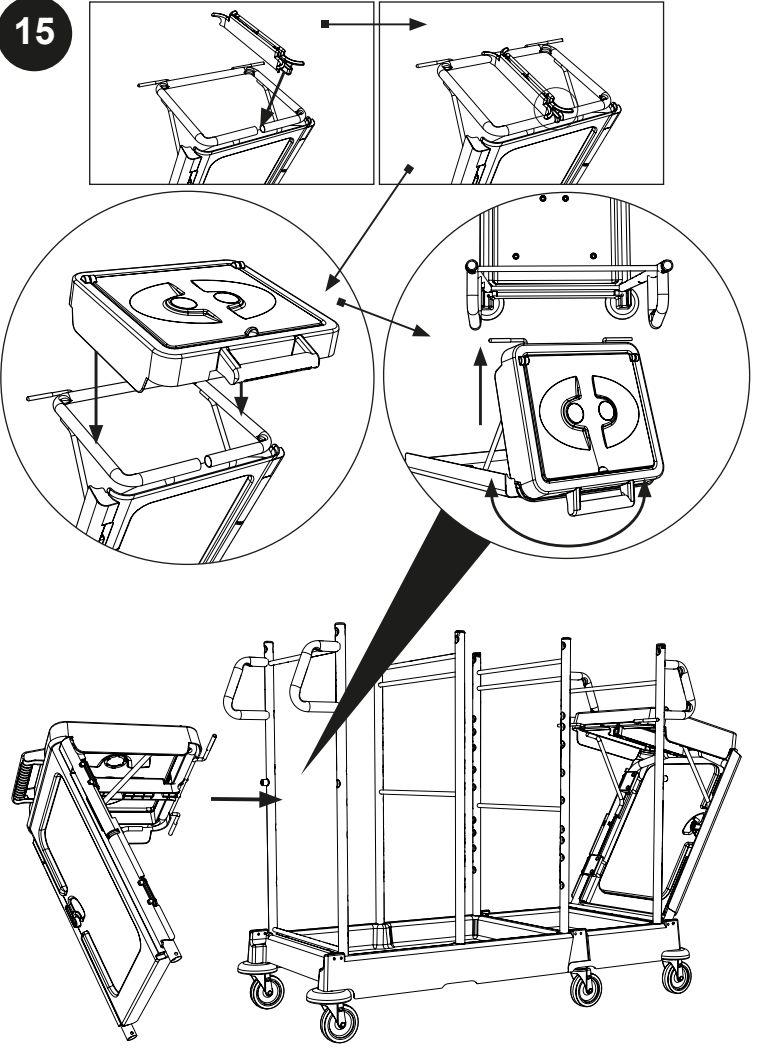
13



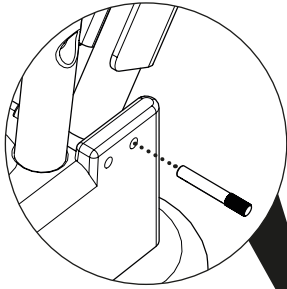
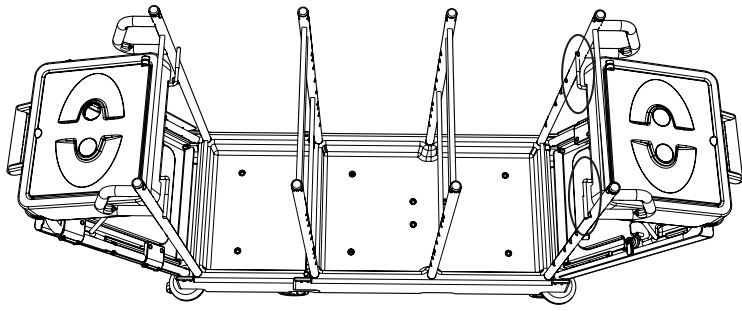
14



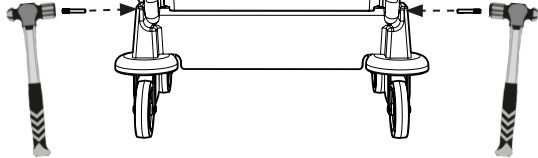
15



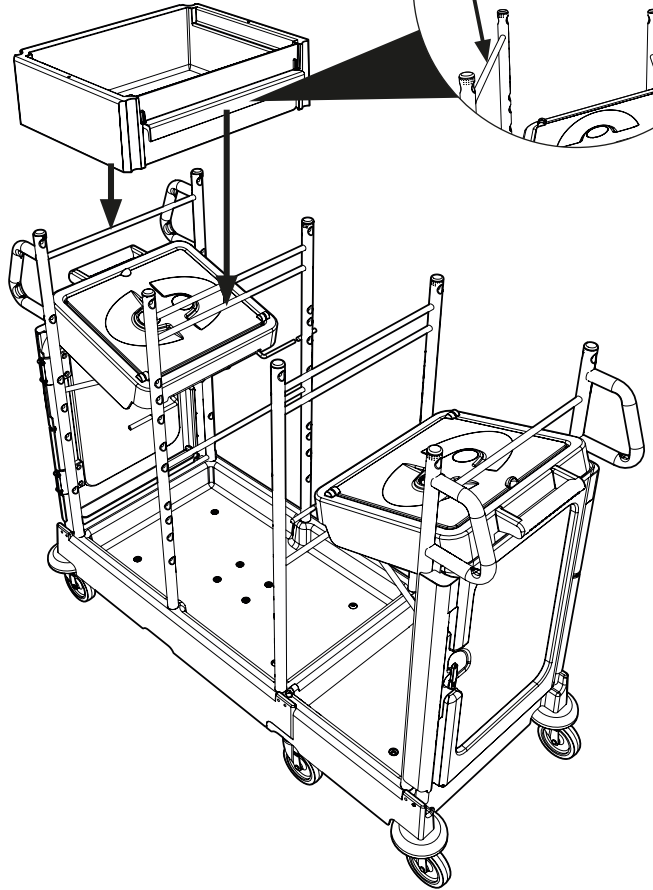
16



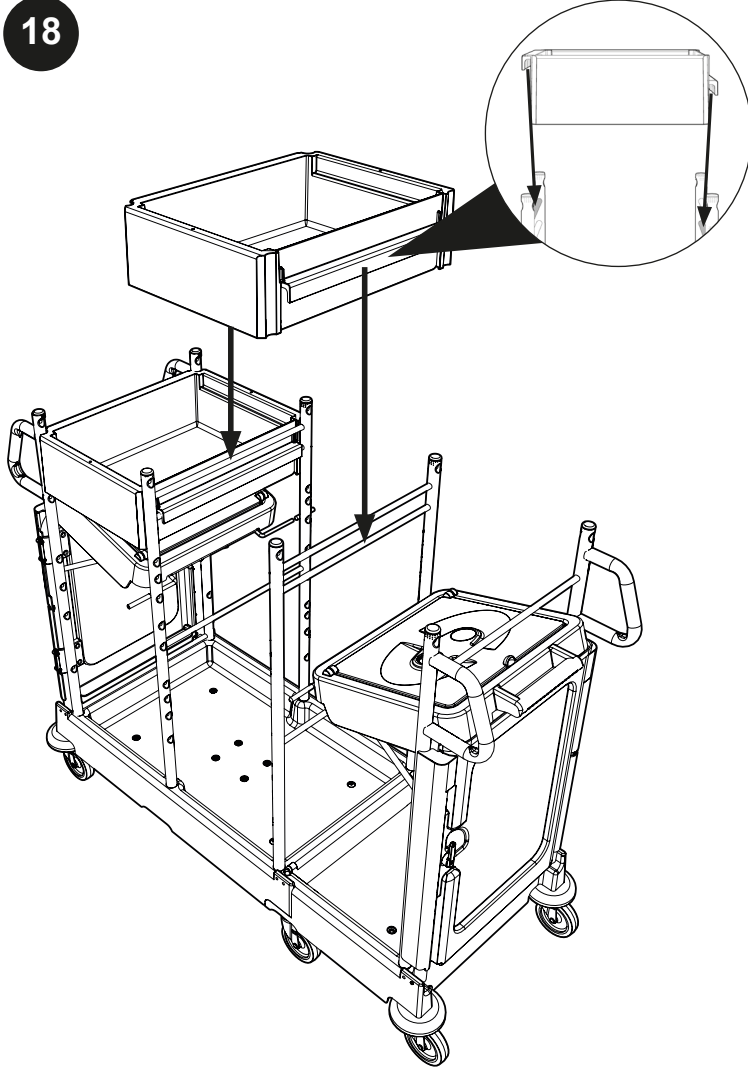
909096
X 2



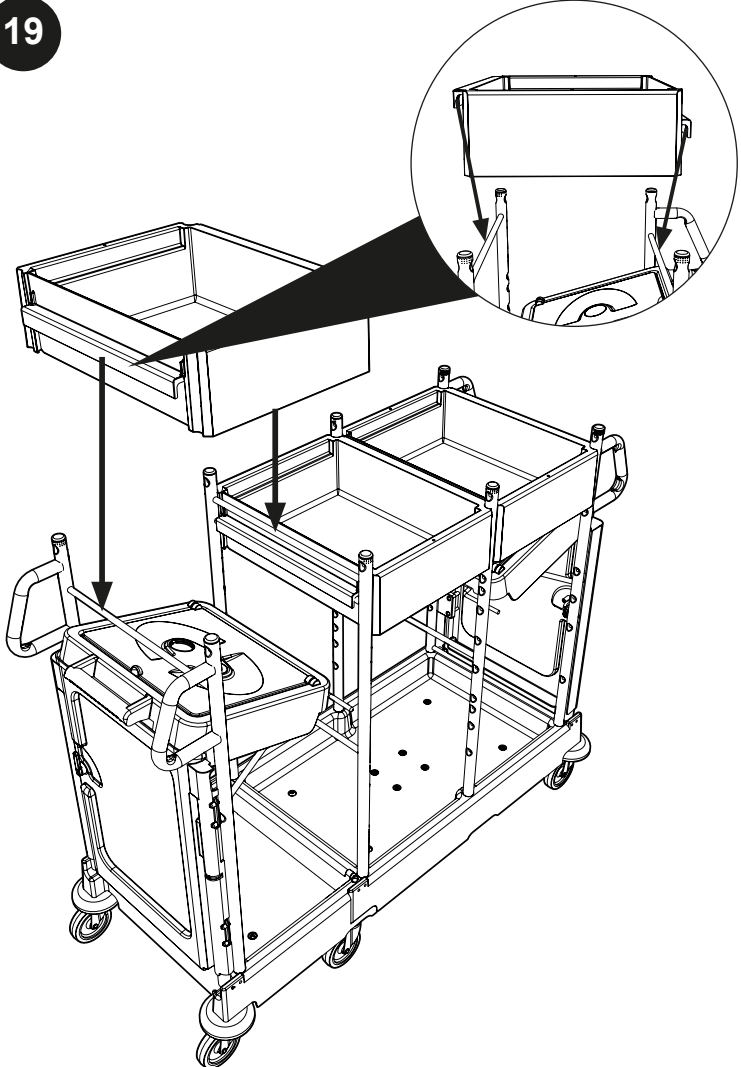
17



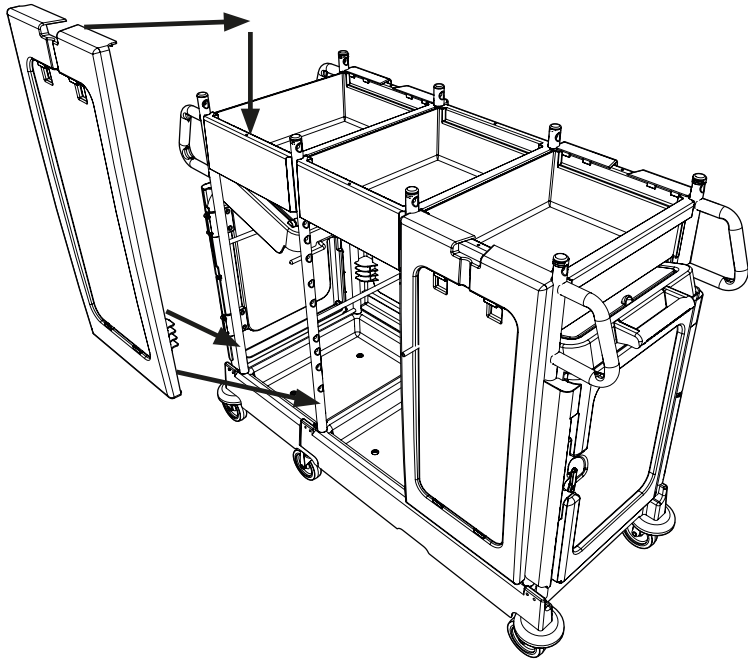
18



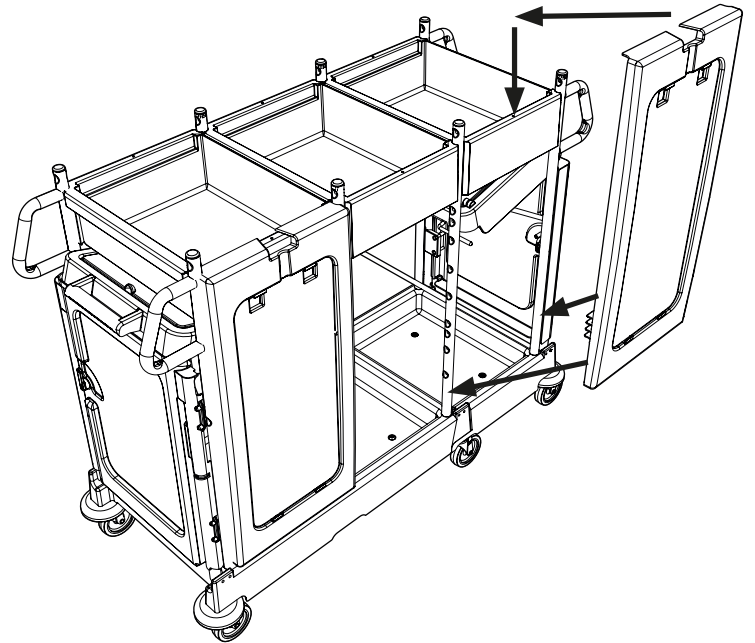
19



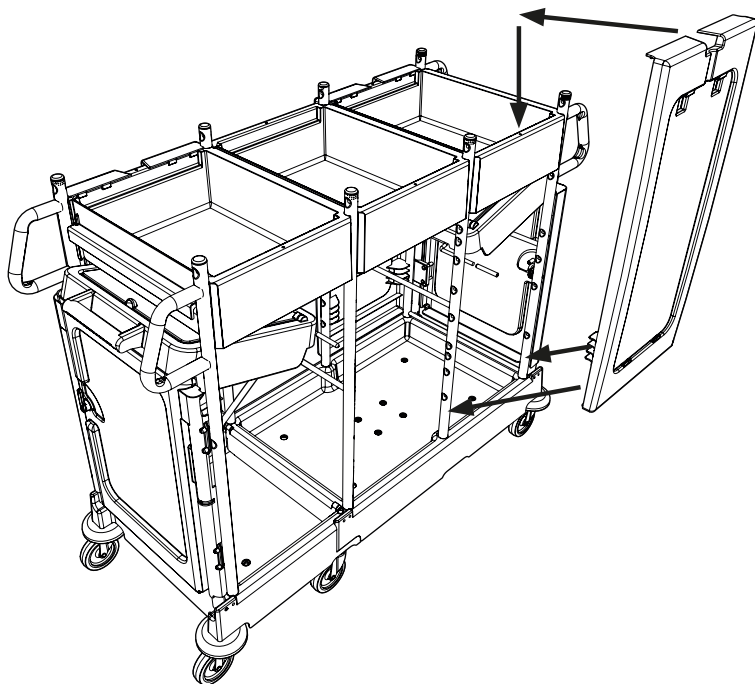
20



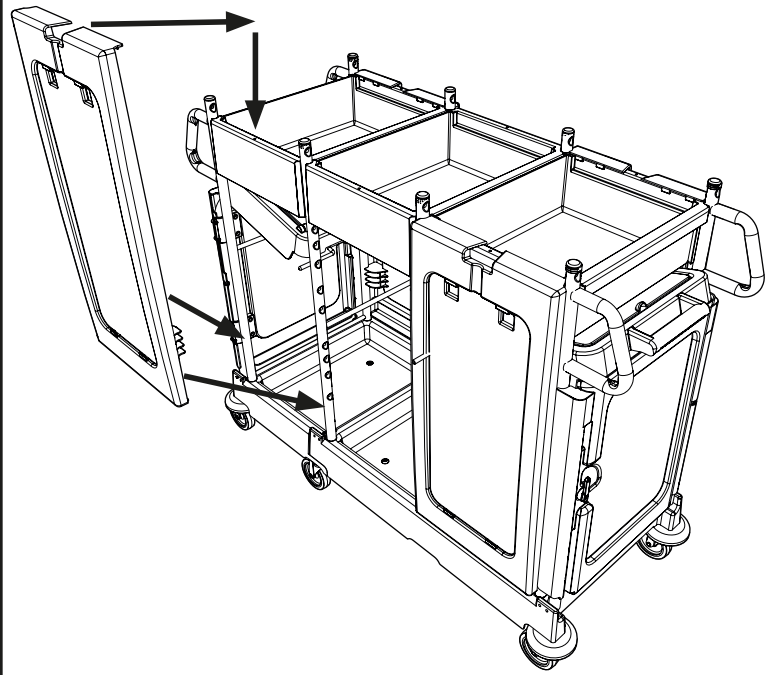
21



22



23

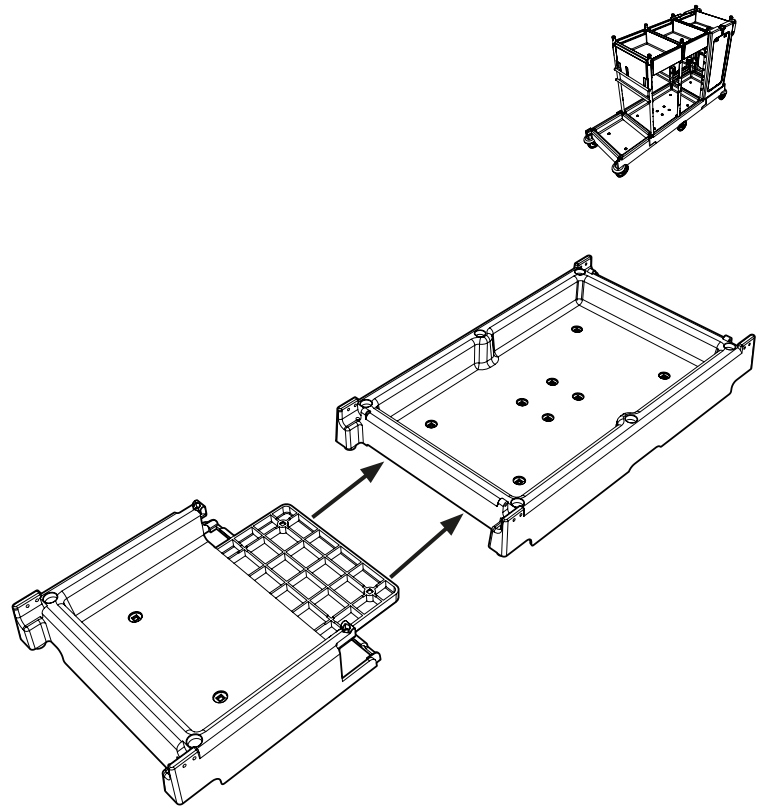


24

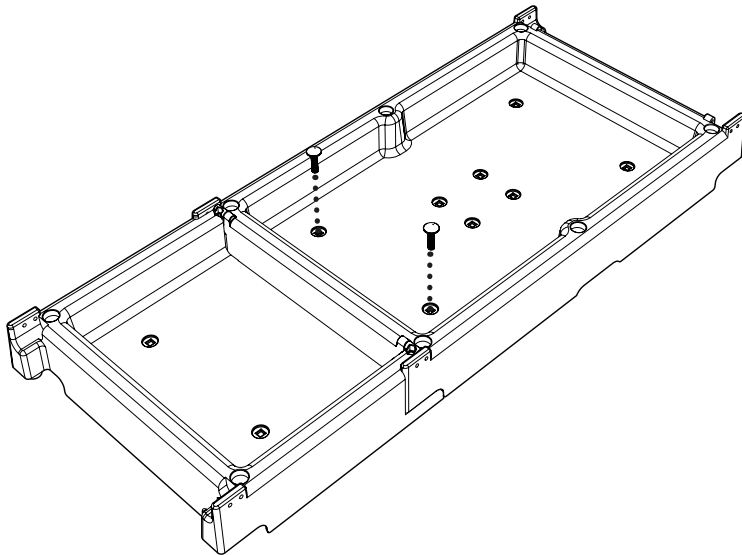
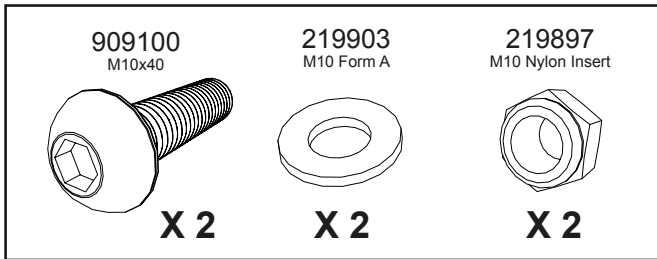


1

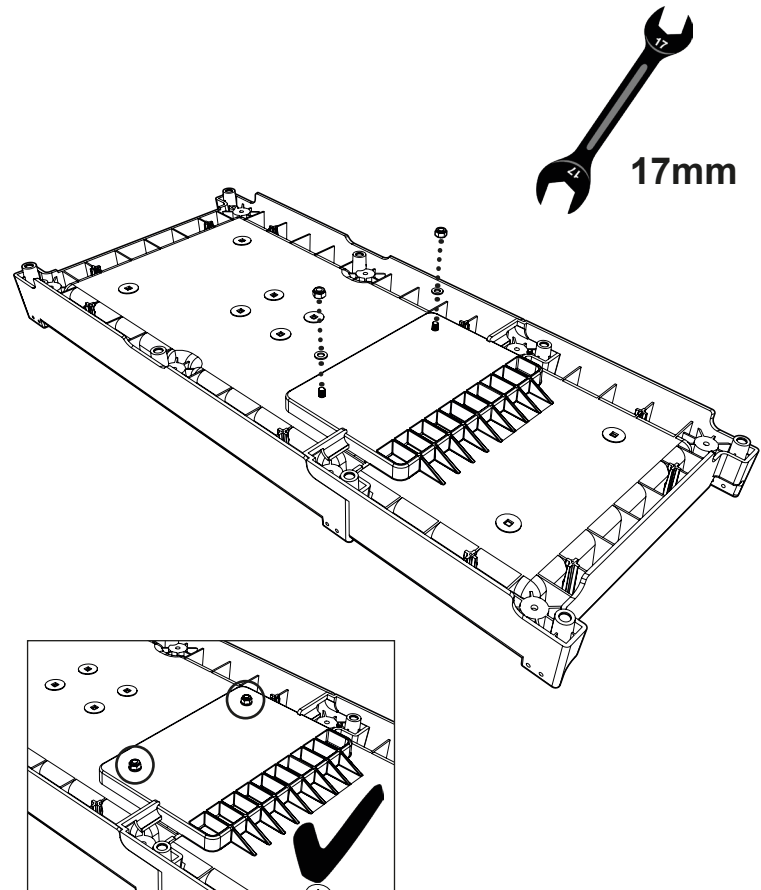
PM 30S Kit Boxes A / C / D



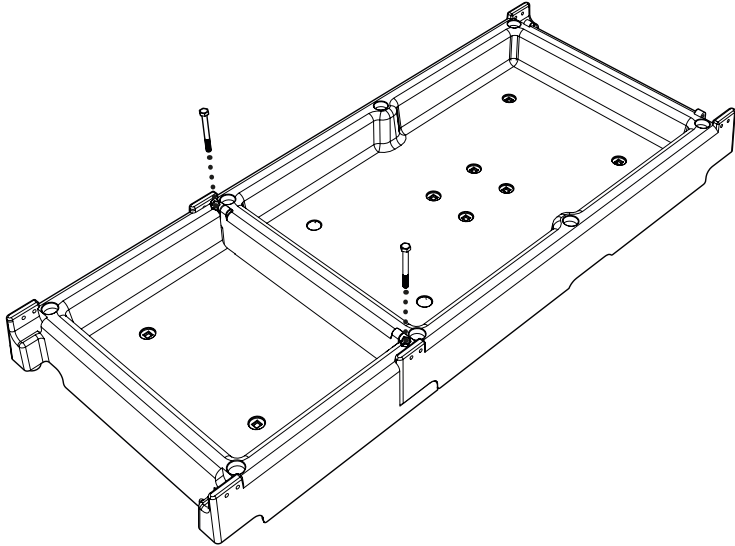
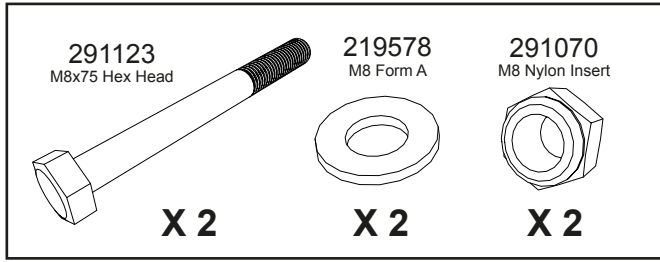
2



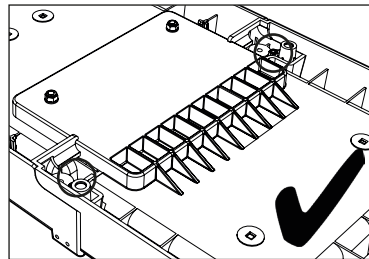
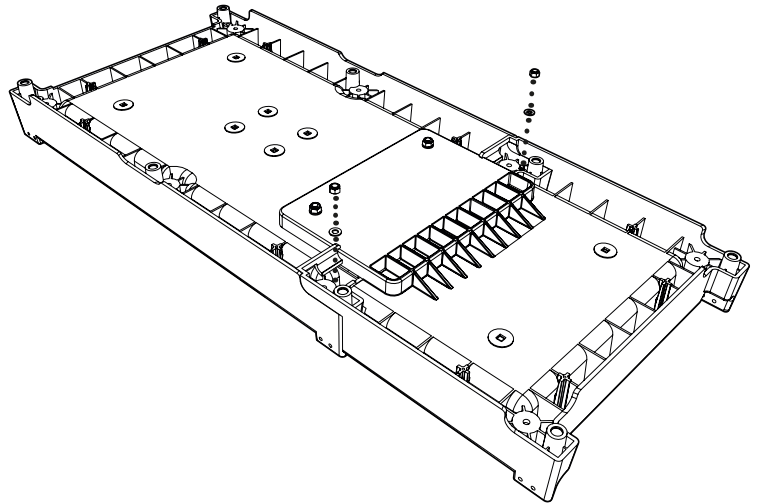
3



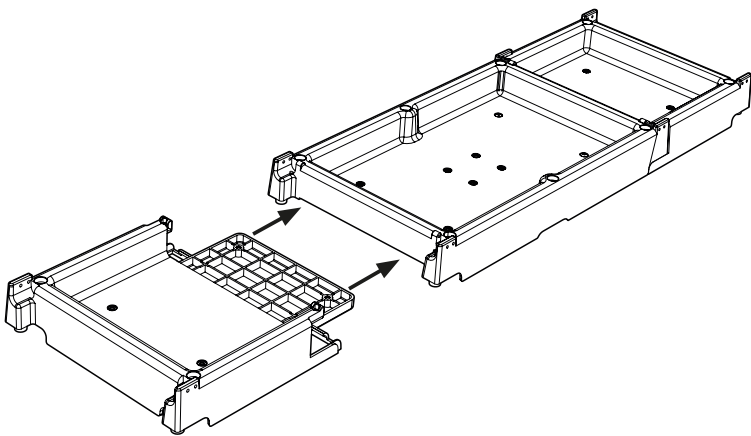
4



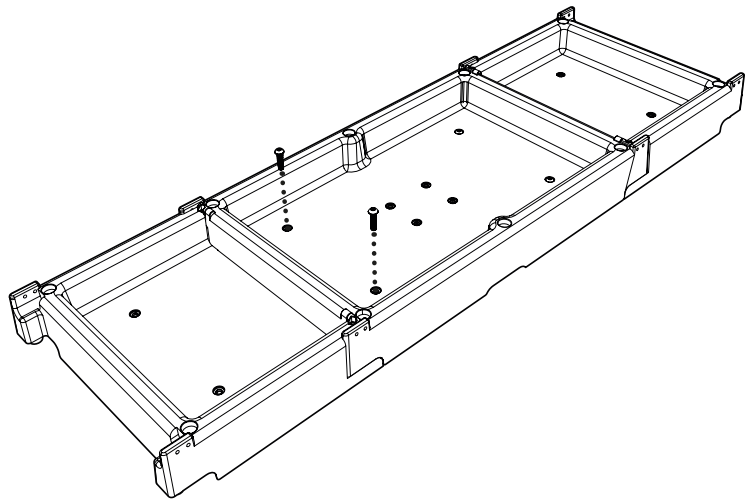
5



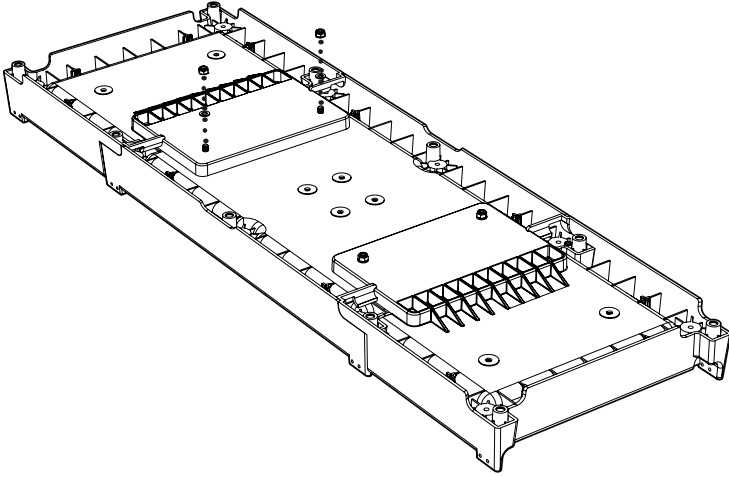
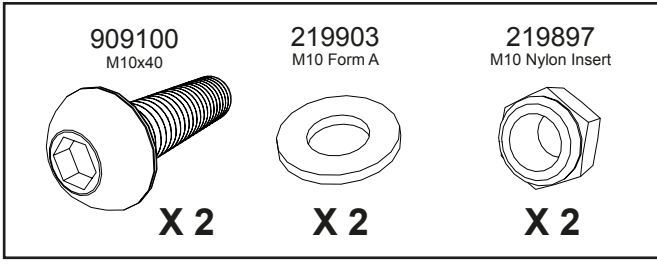
6



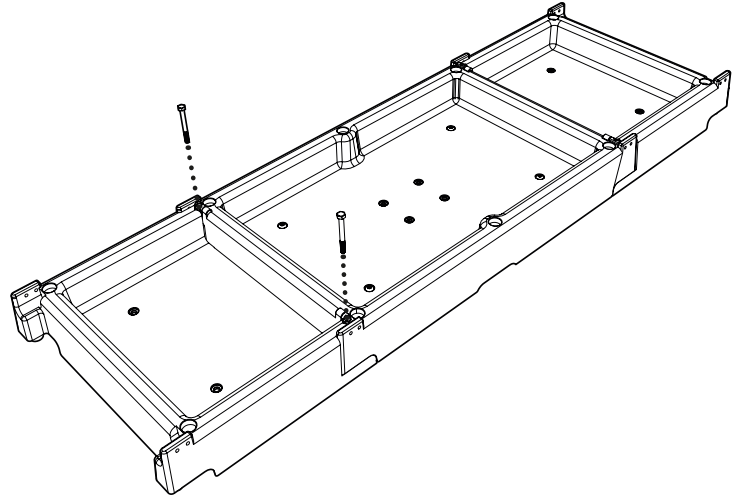
7



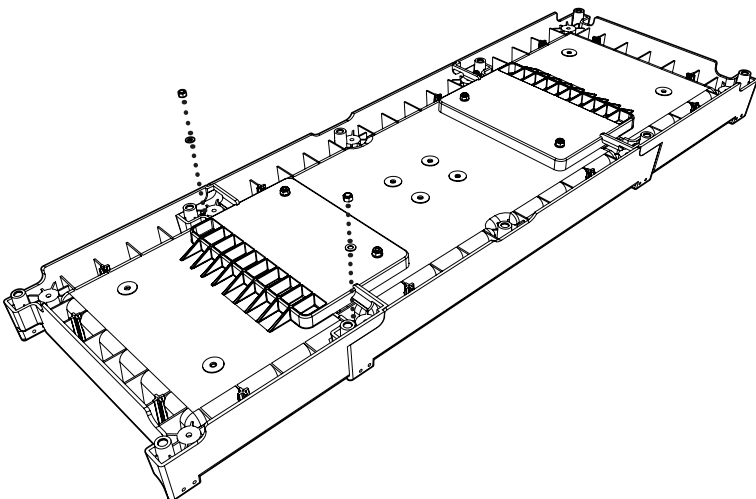
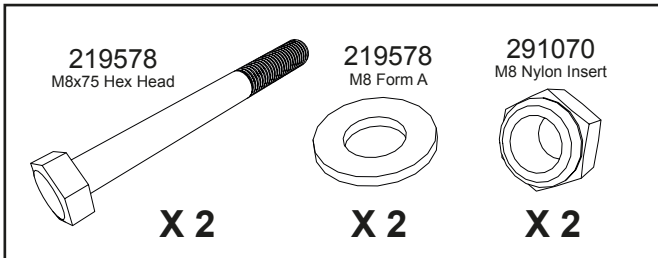
8



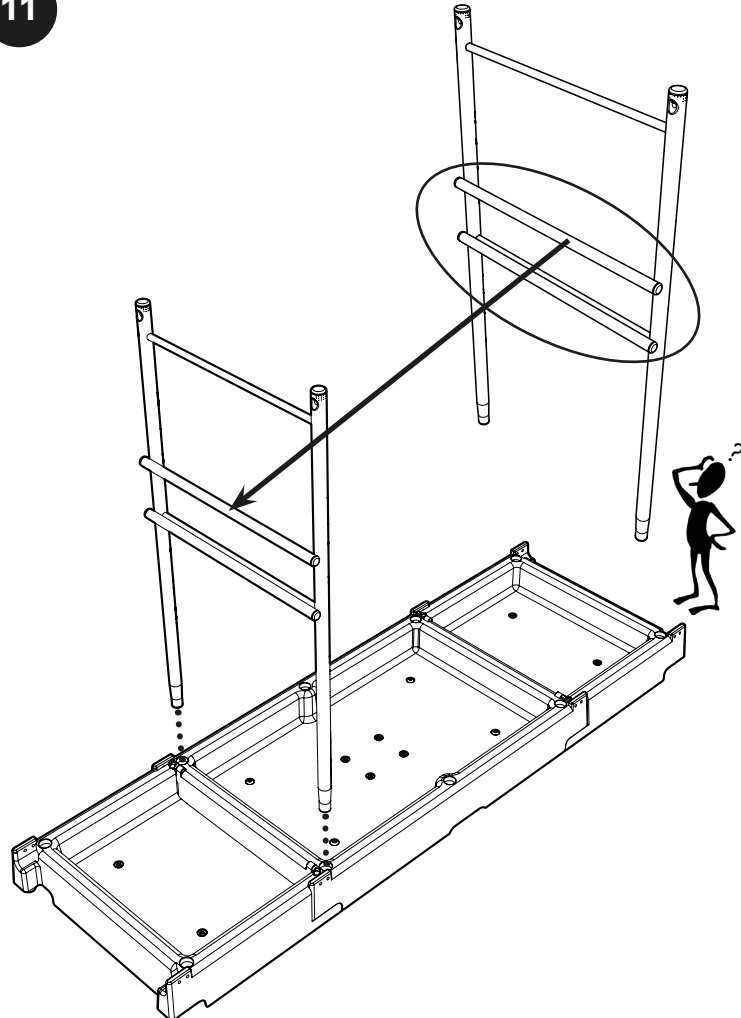
9



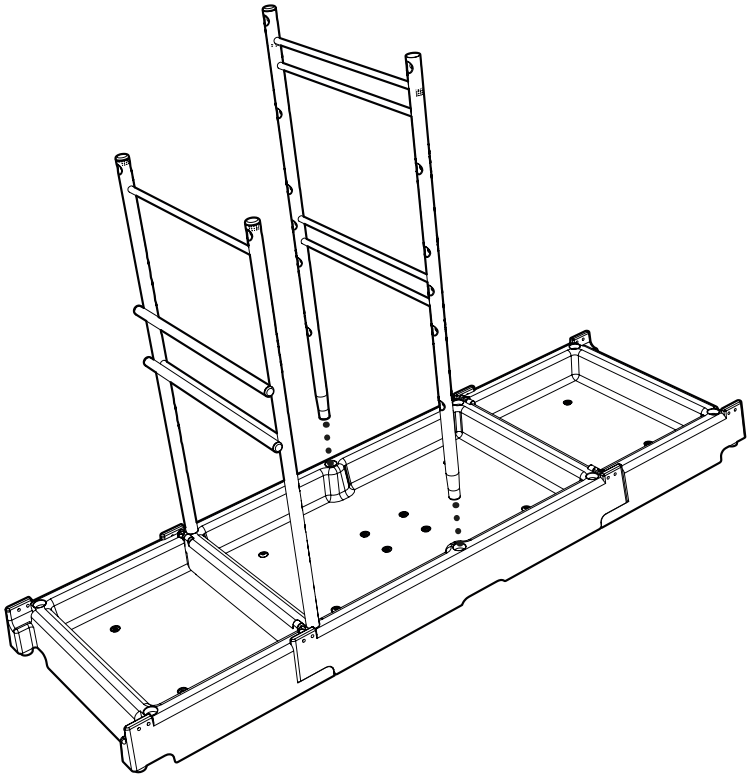
10



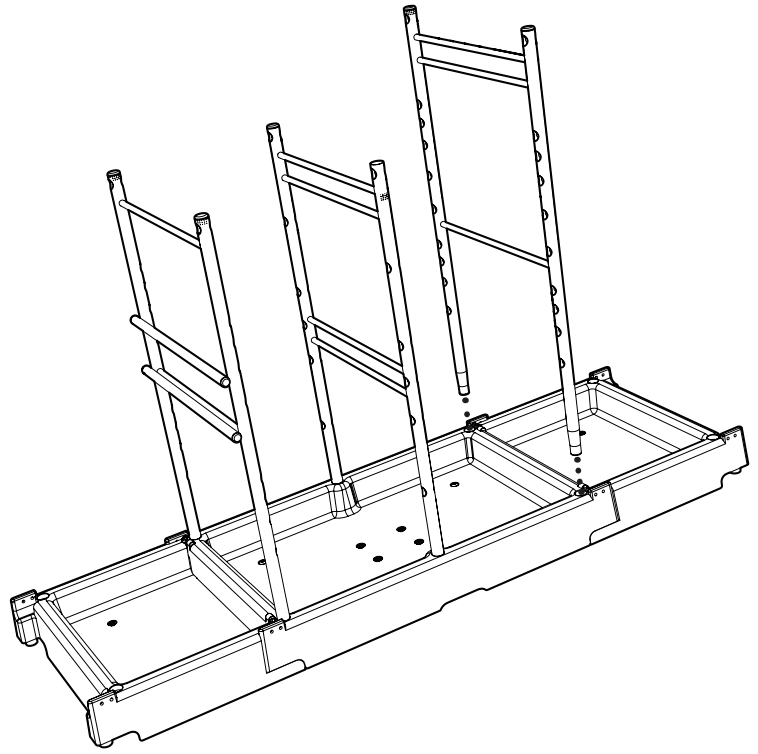
11



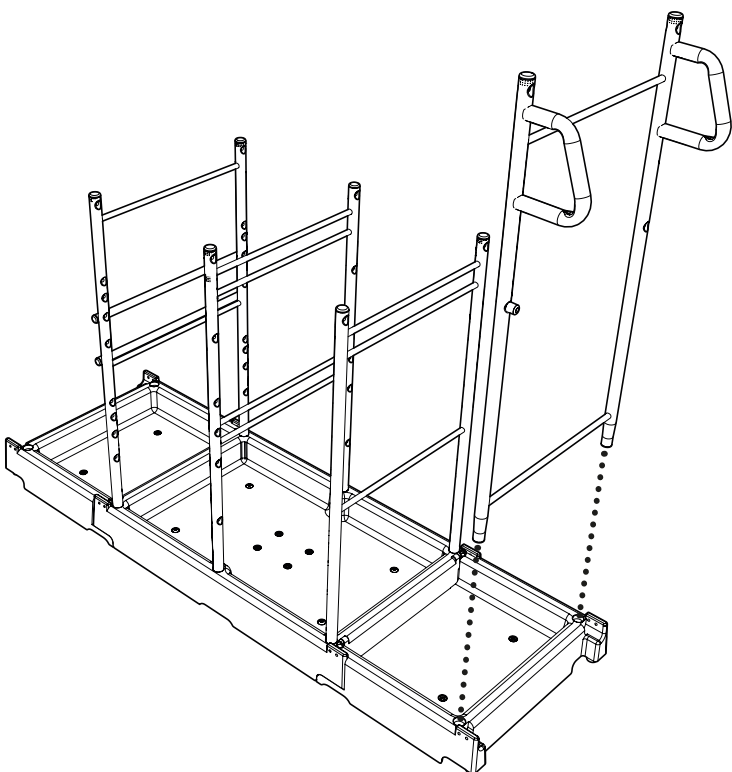
12



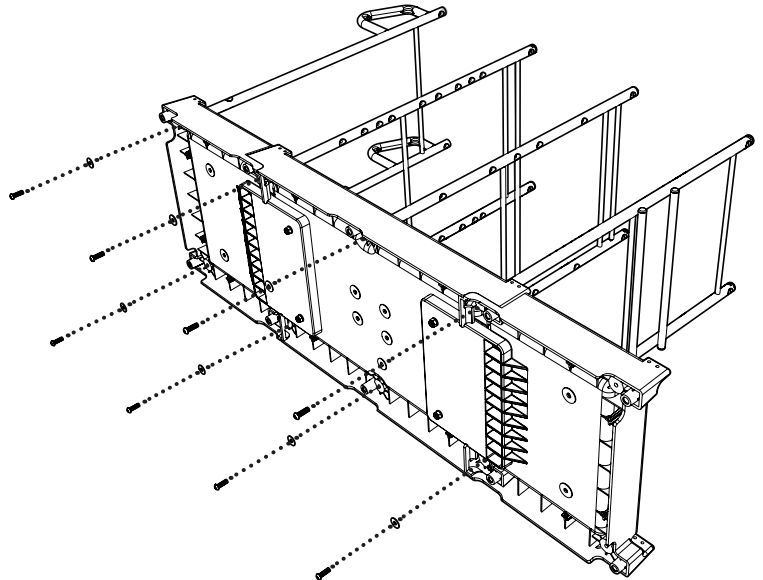
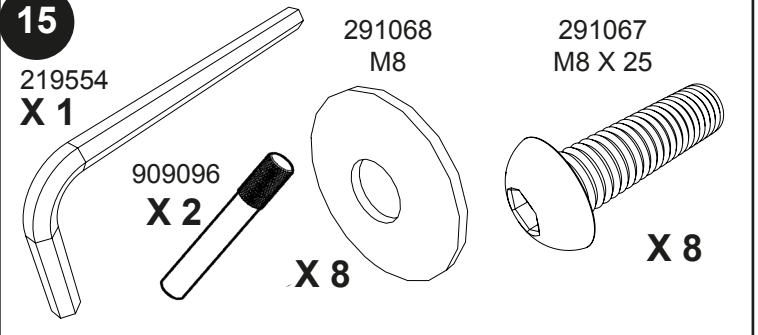
13



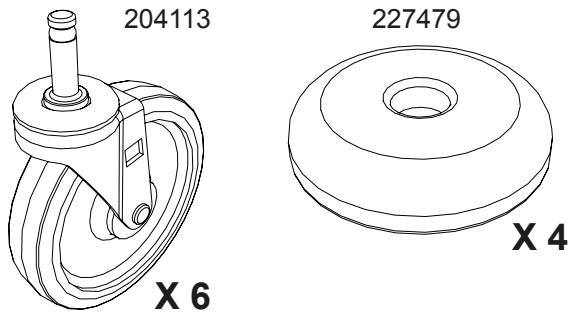
14



15

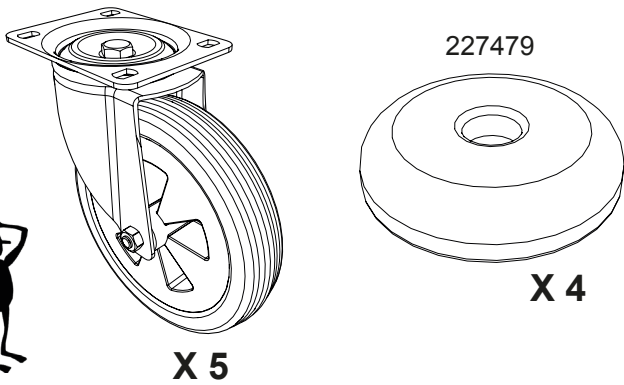


16

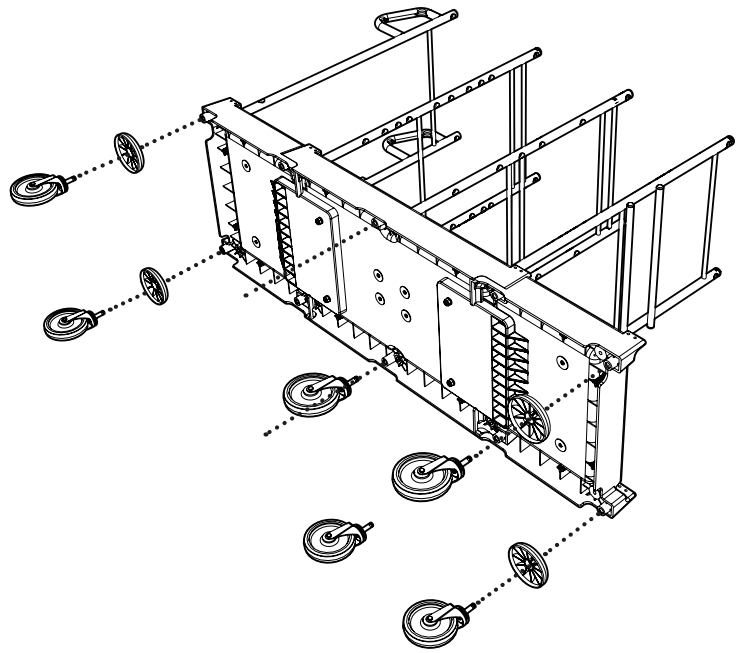


Page - 8-11

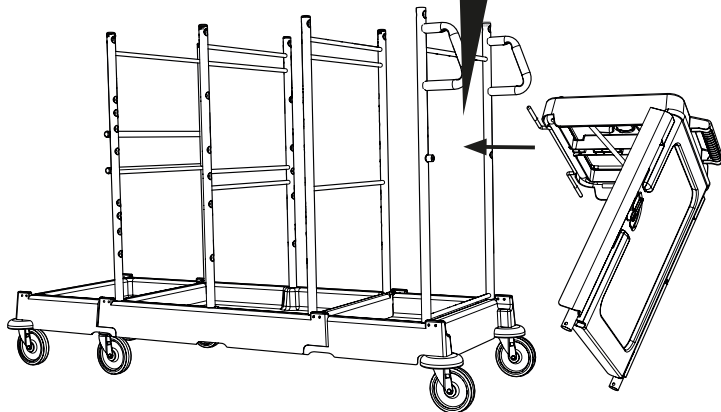
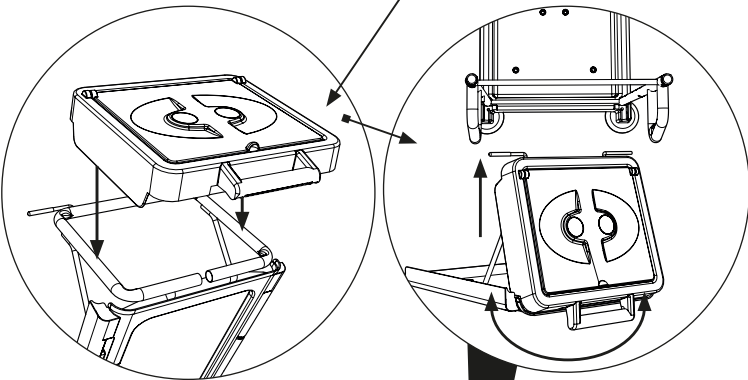
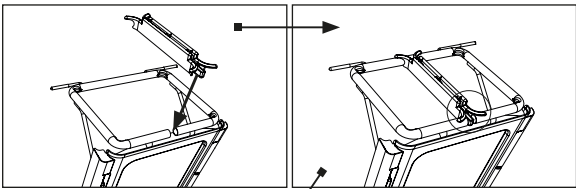
901814



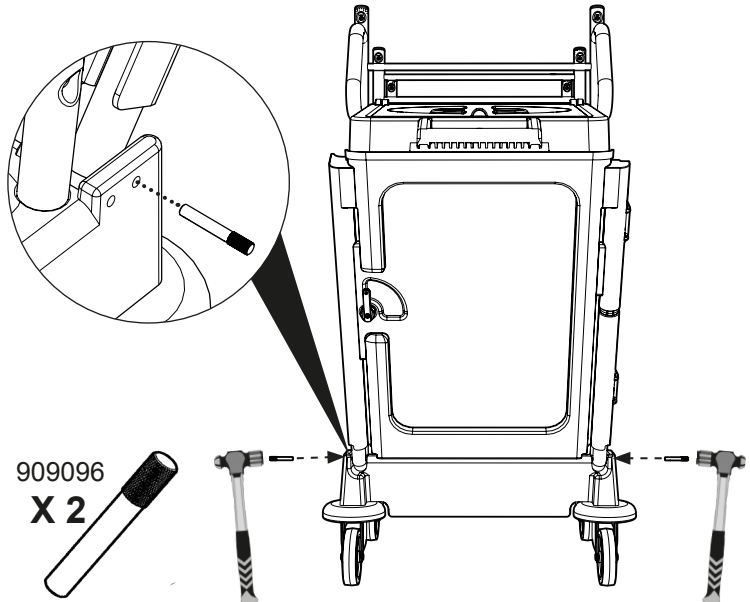
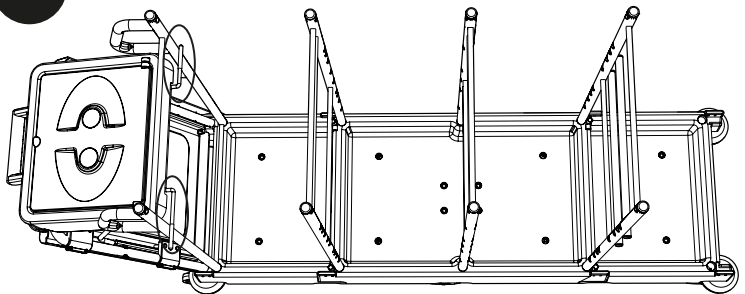
17



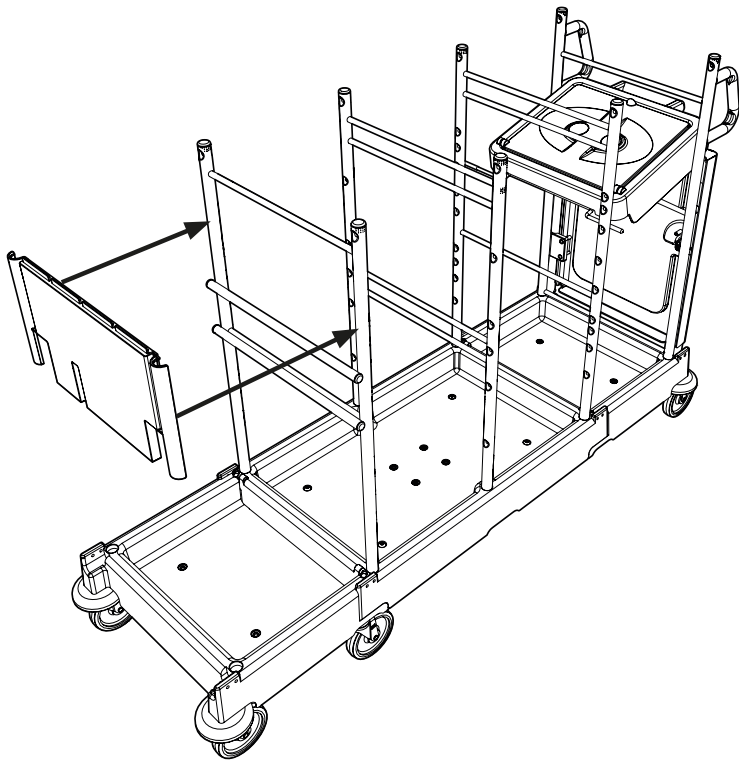
18



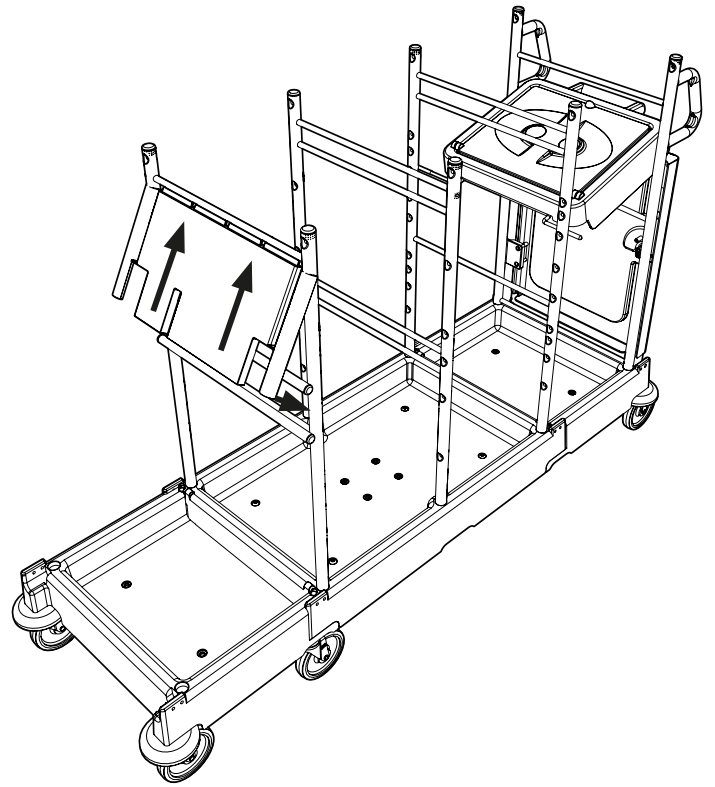
19



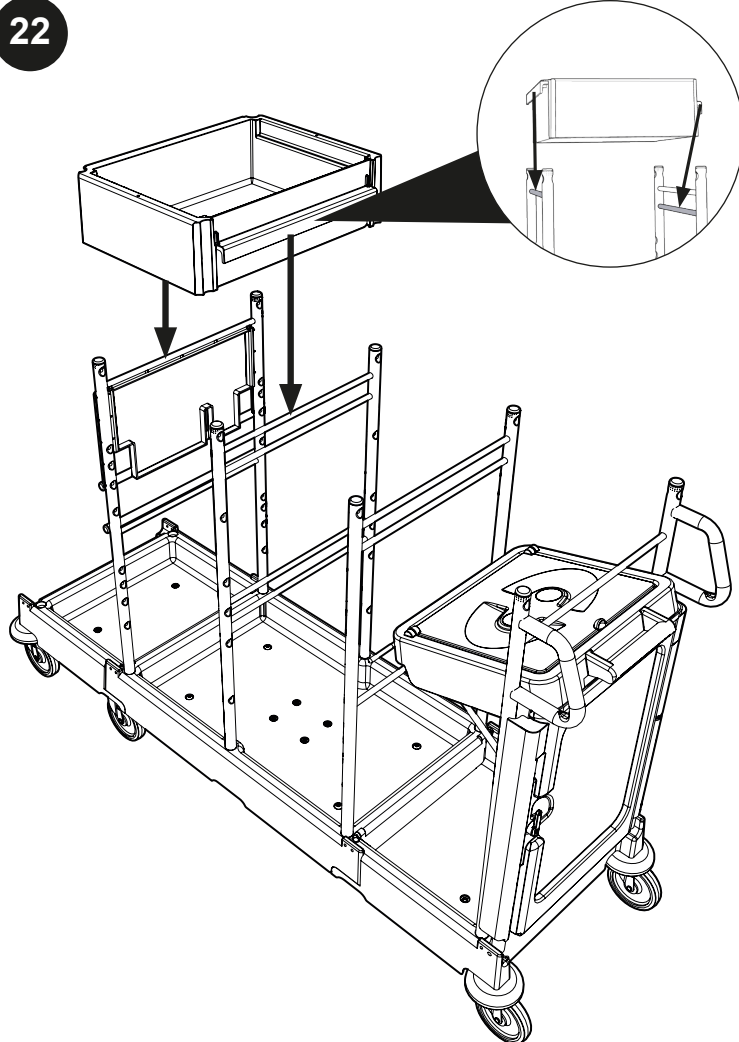
20



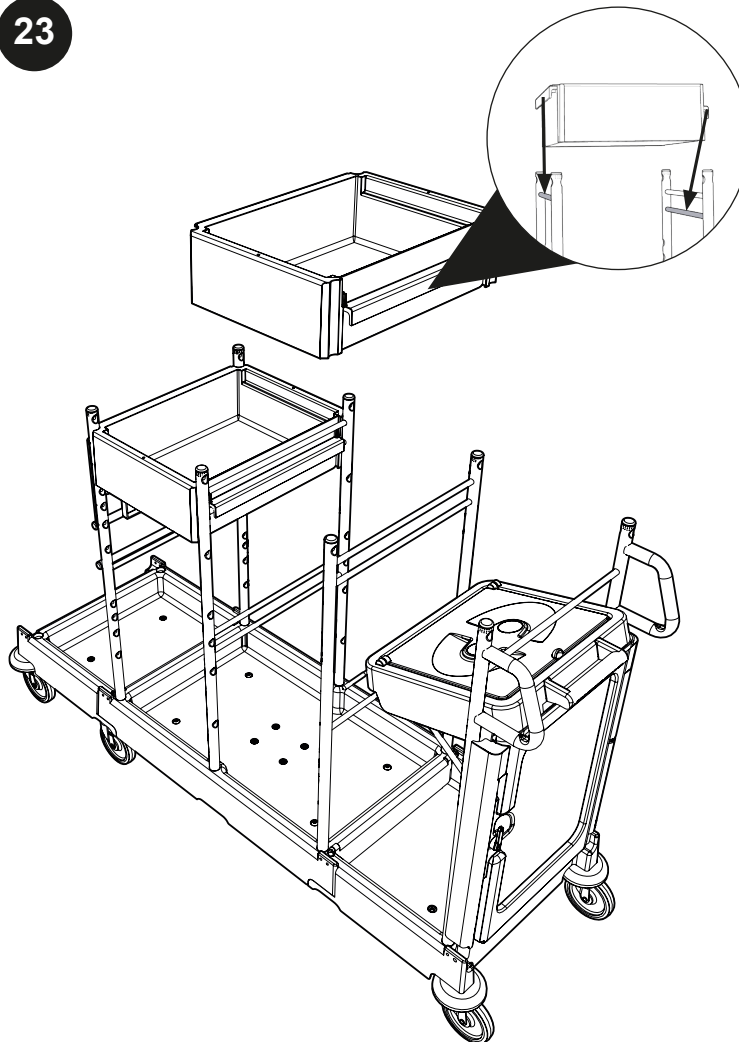
21



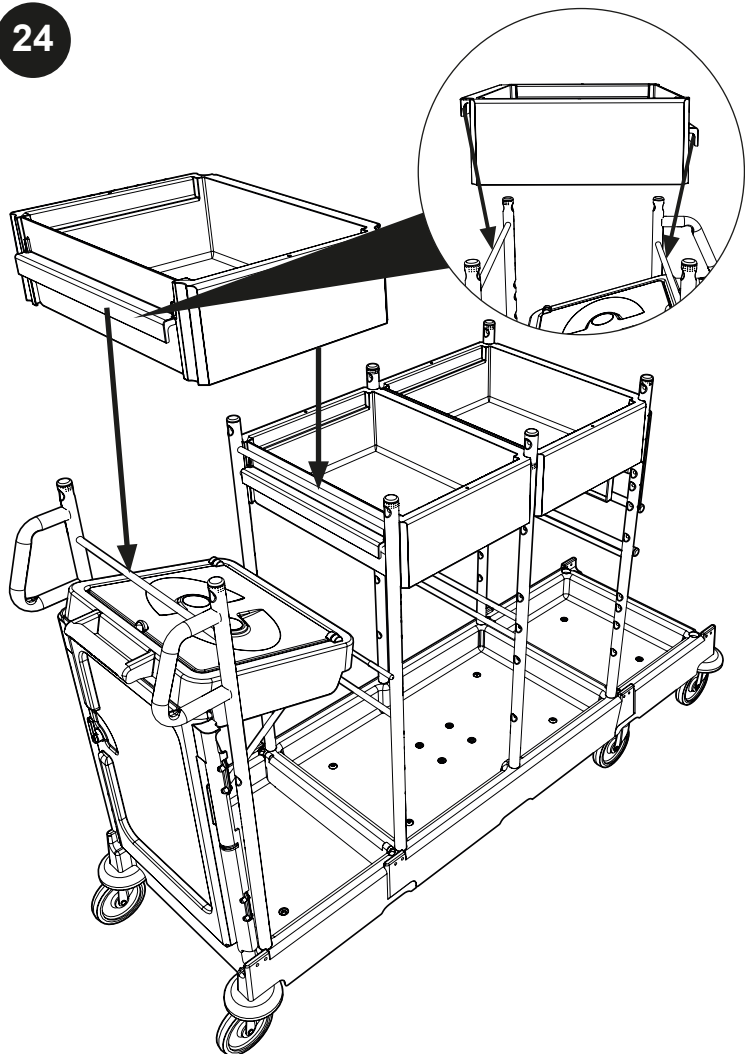
22



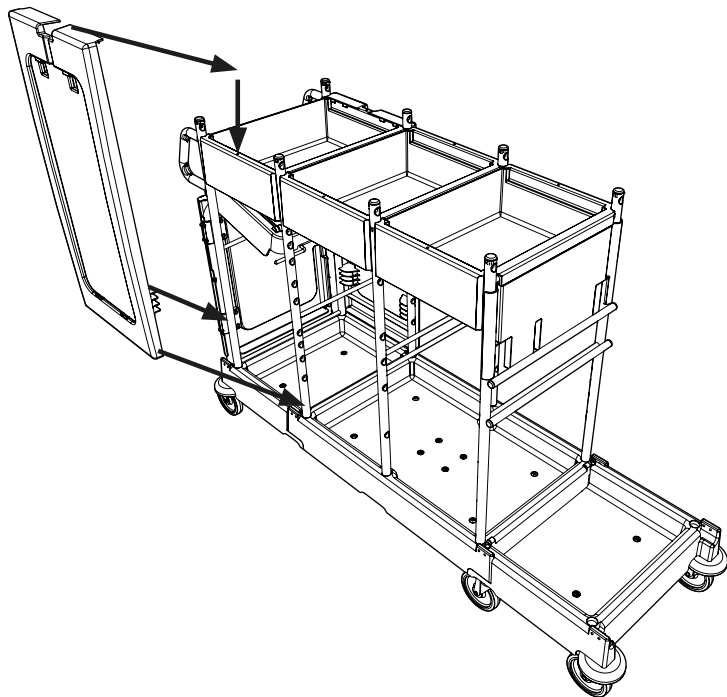
23



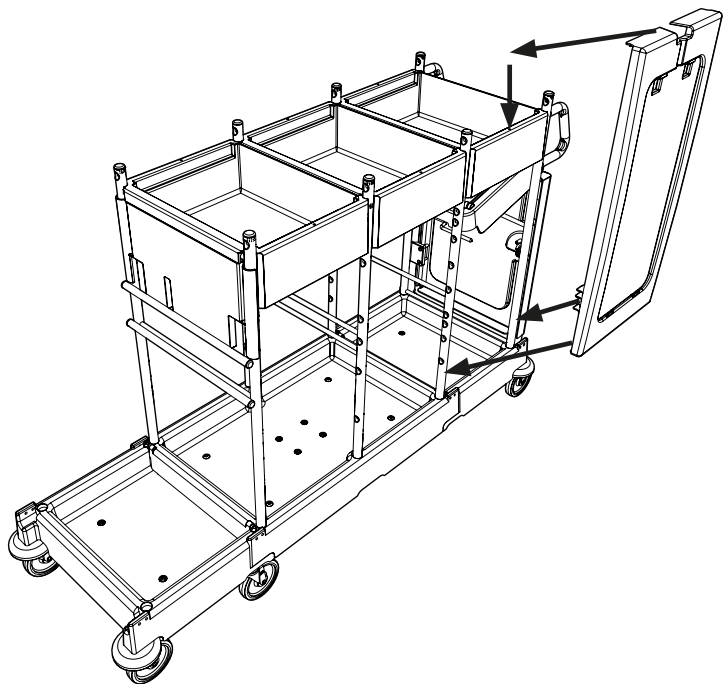
24



25

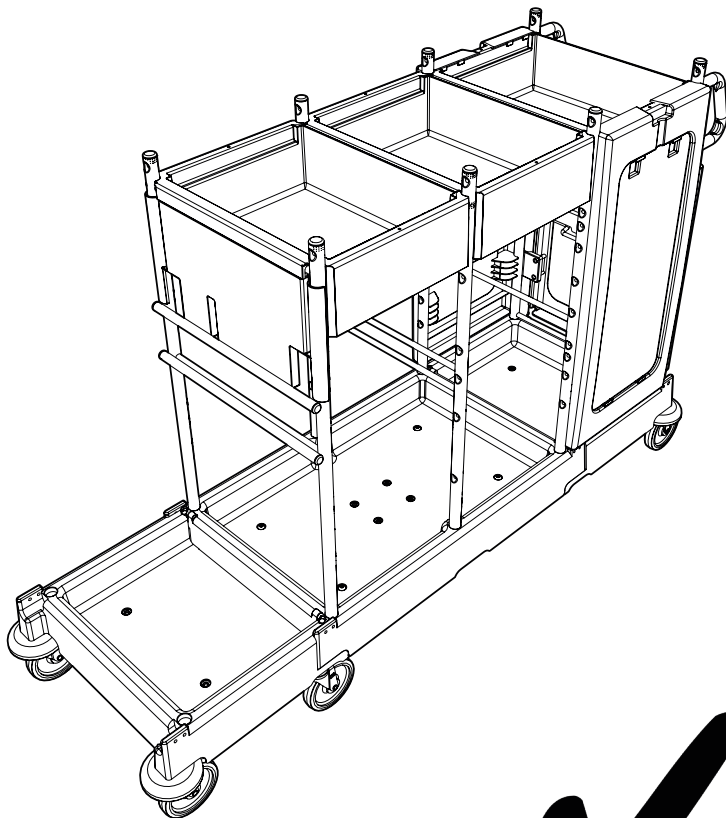


26

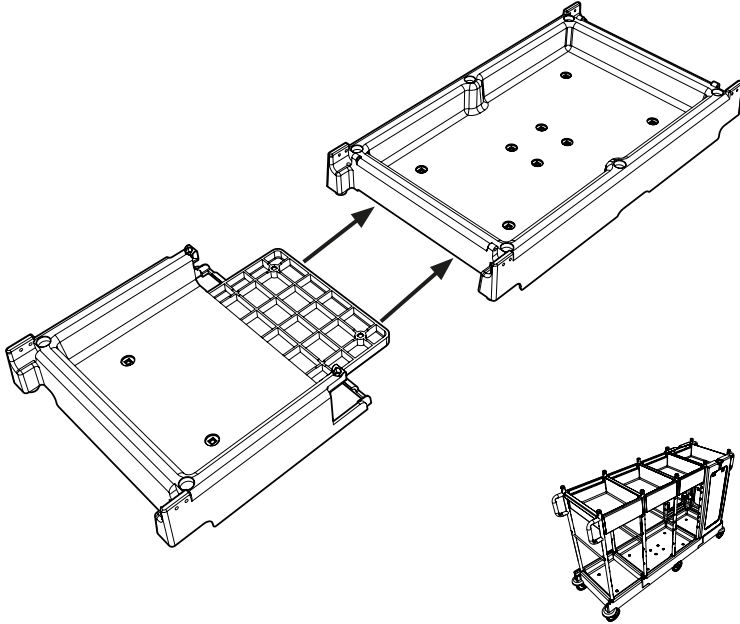
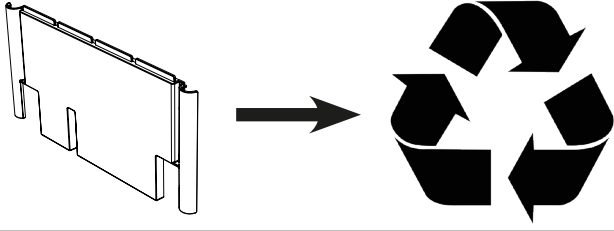


27

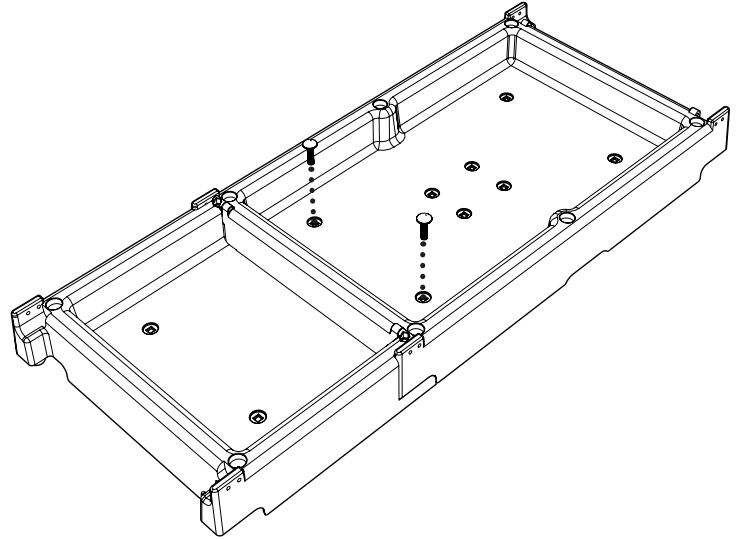
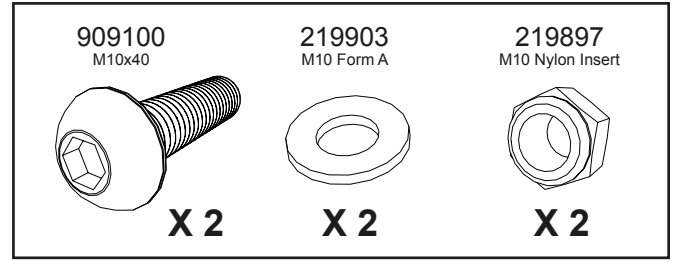
PM 30S



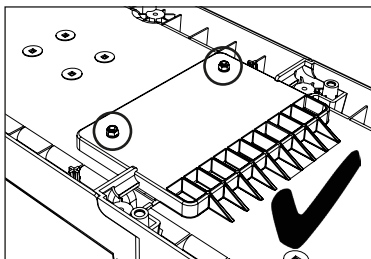
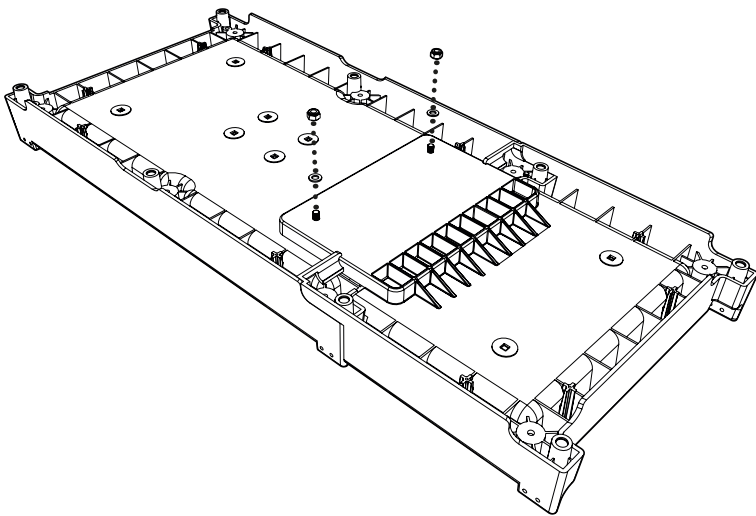
1 PM 31S Kit Boxes A / C / D / G



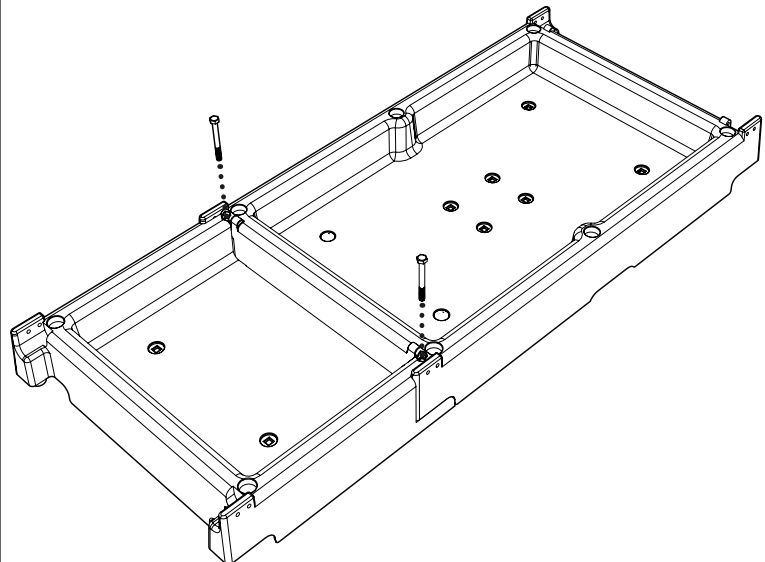
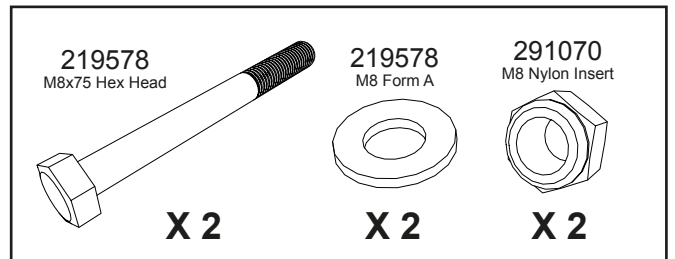
2



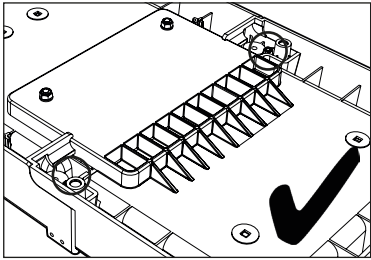
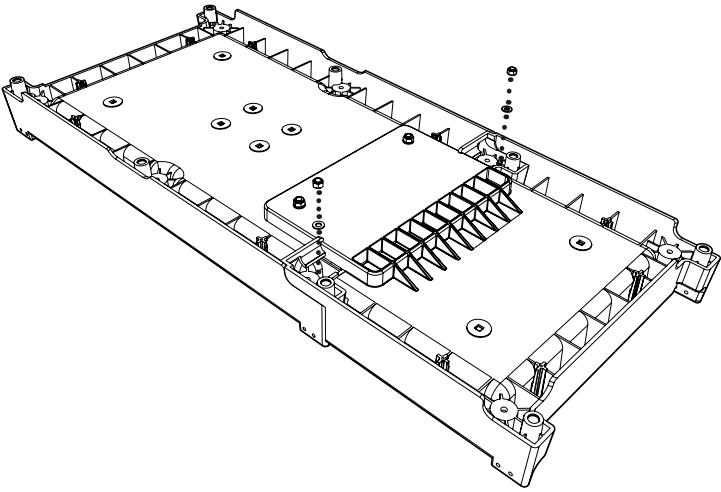
3



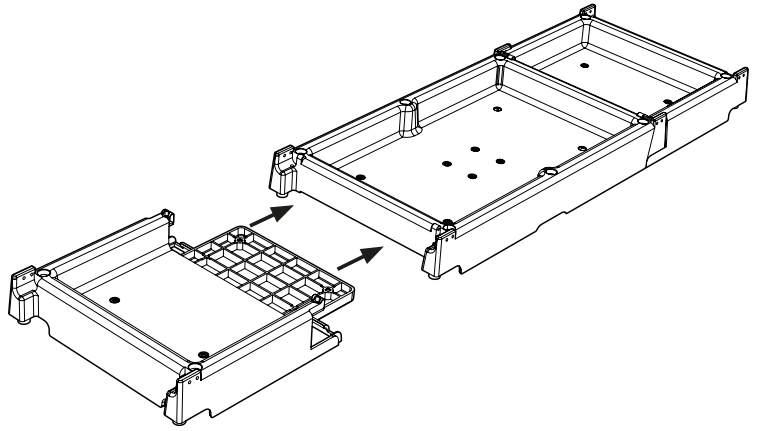
4



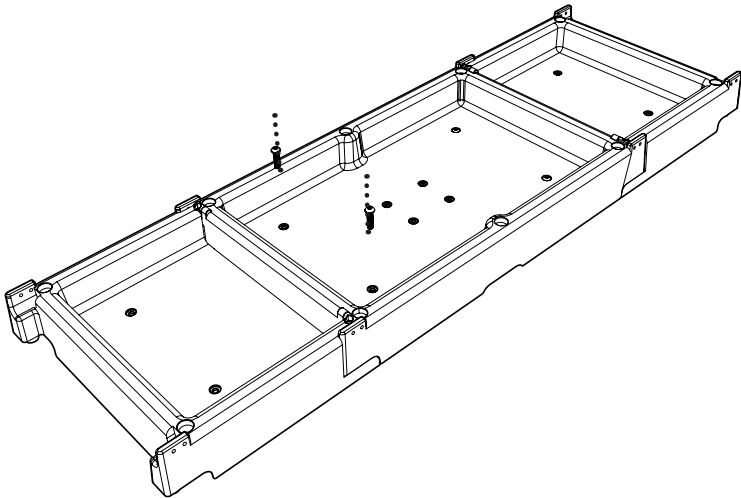
5



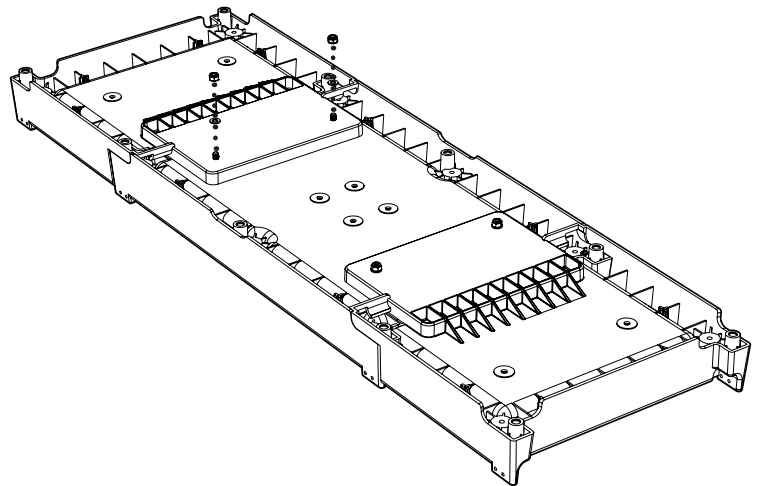
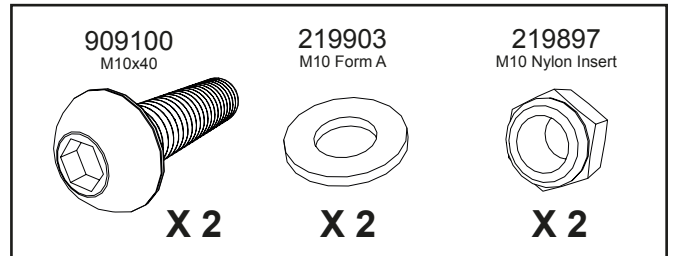
6



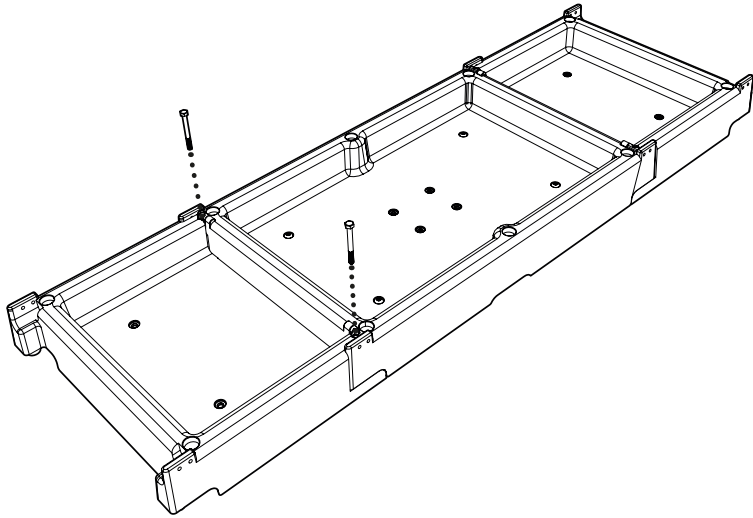
7



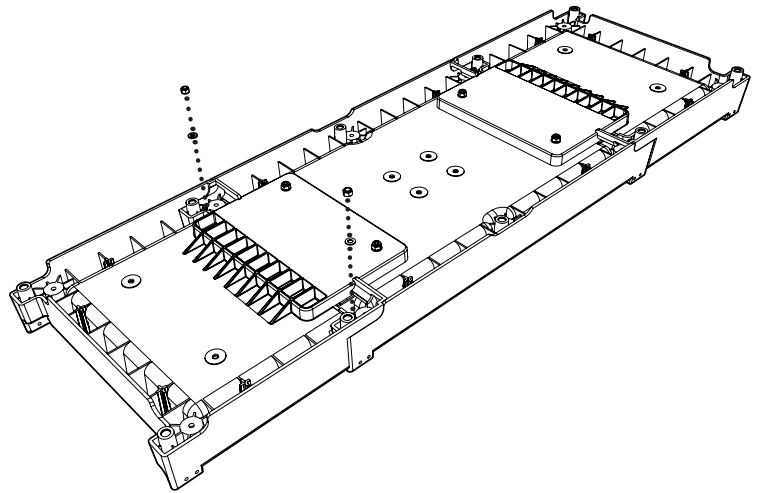
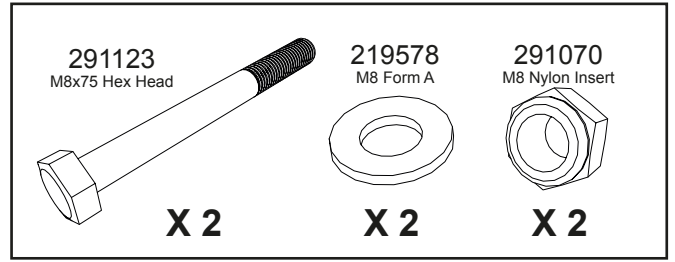
8



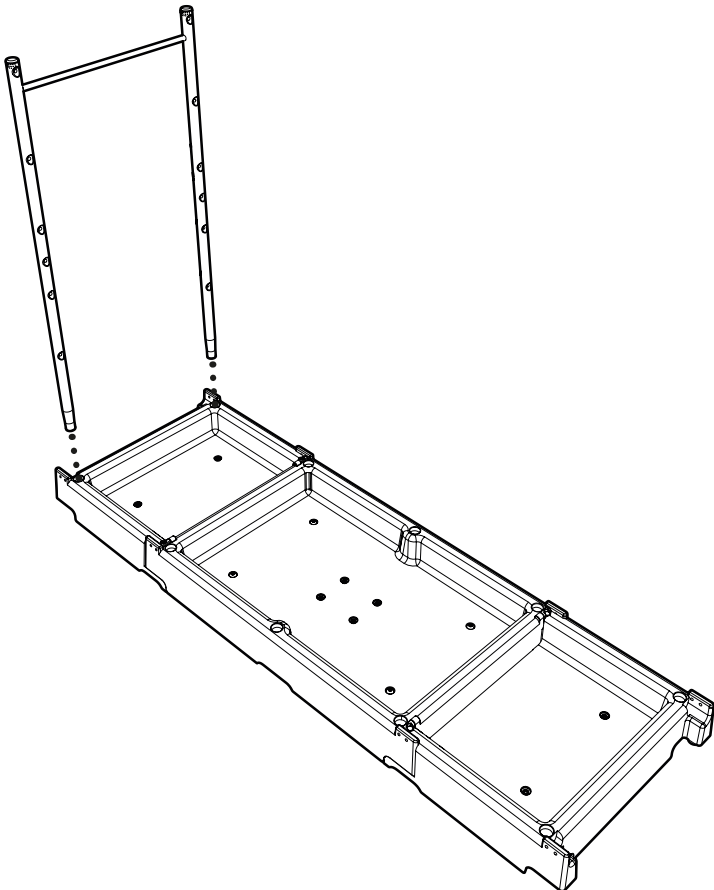
9



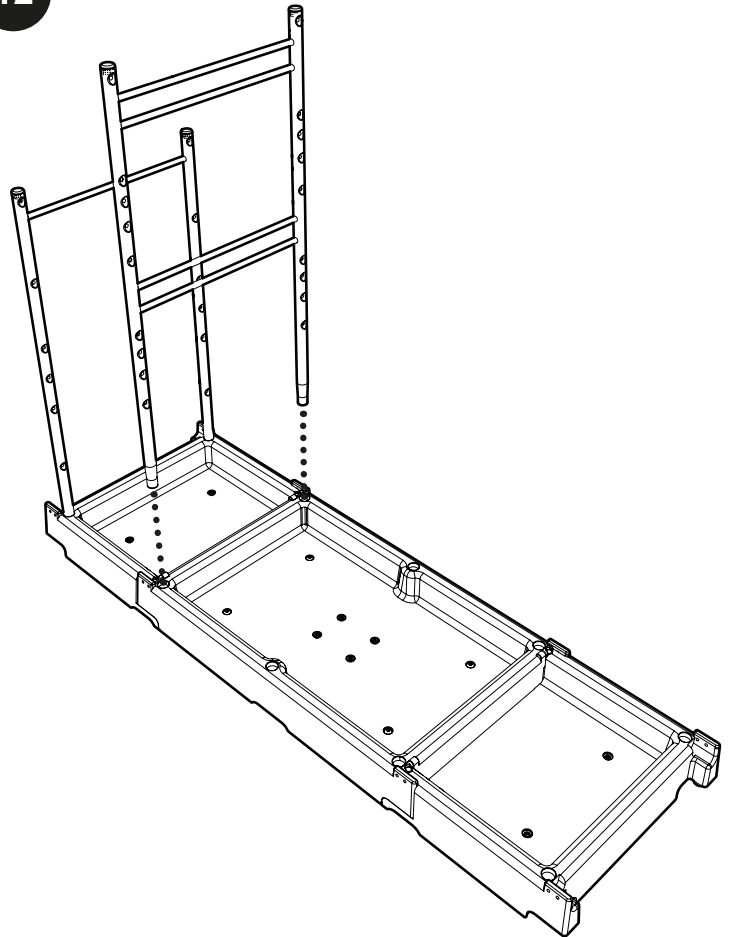
10



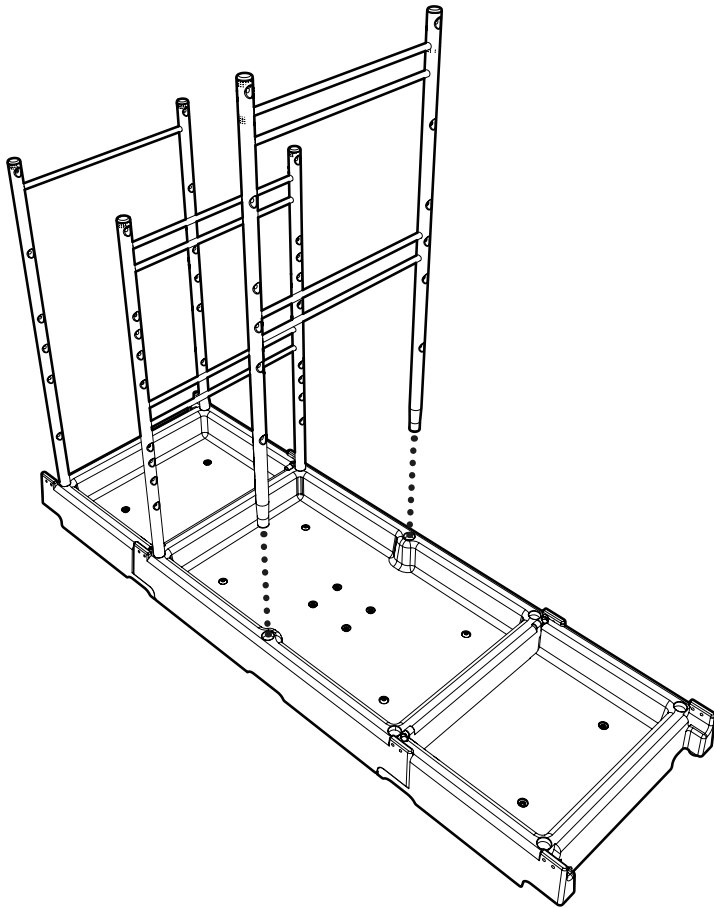
11



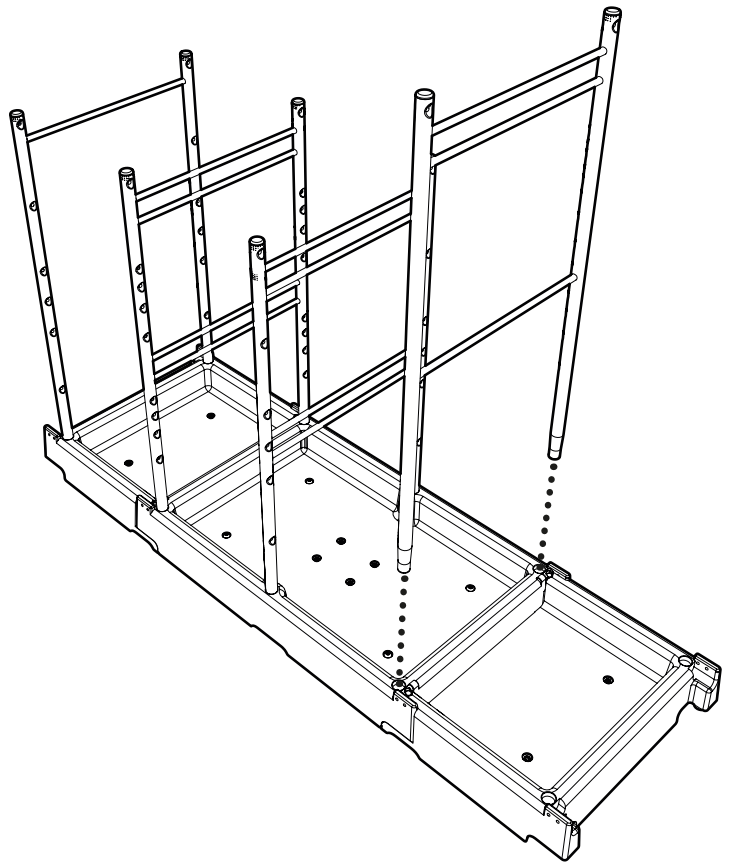
12



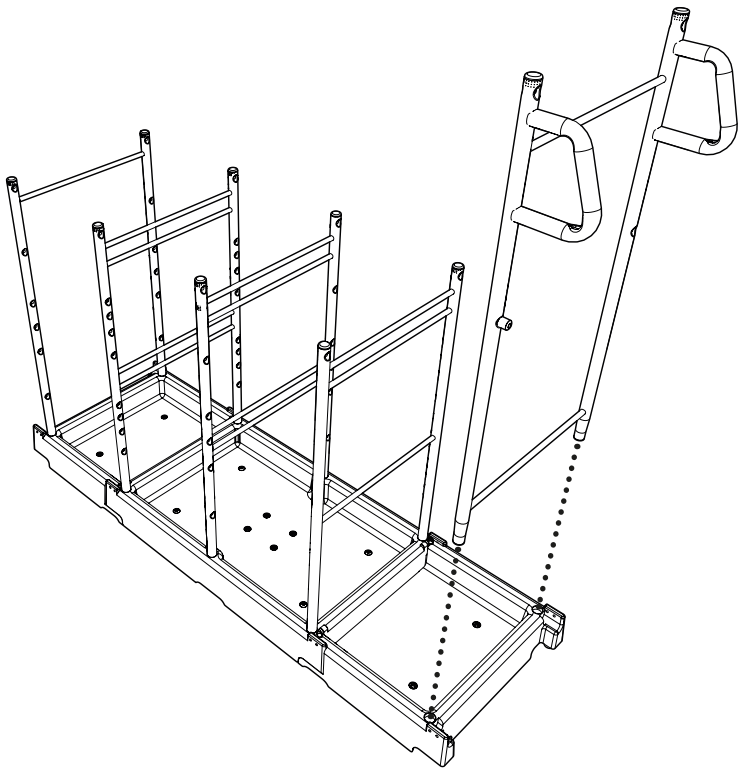
13



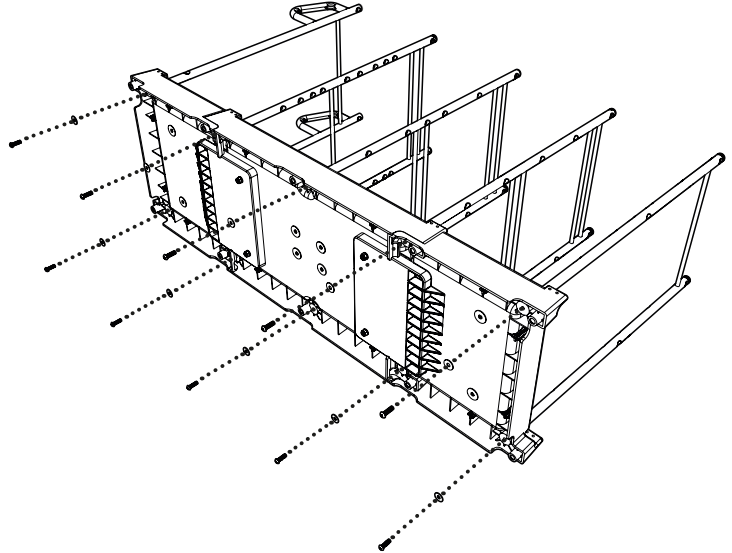
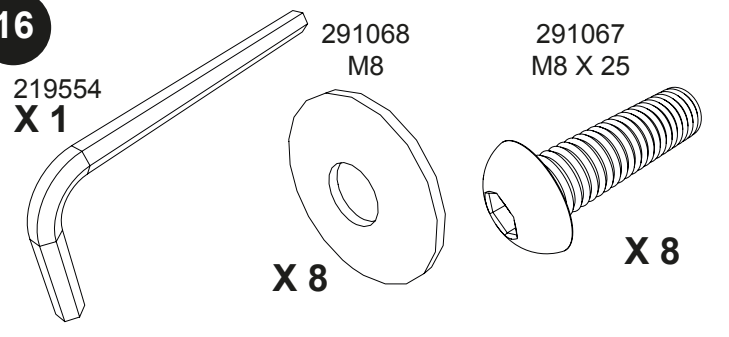
14



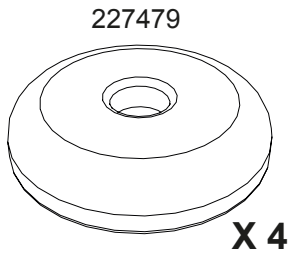
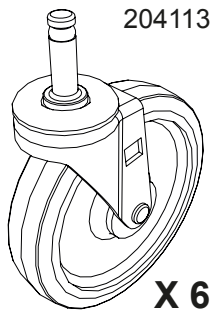
15



16

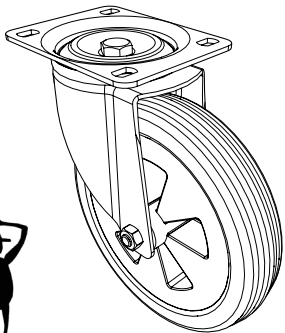


17

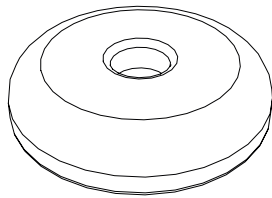


Page - 8-11

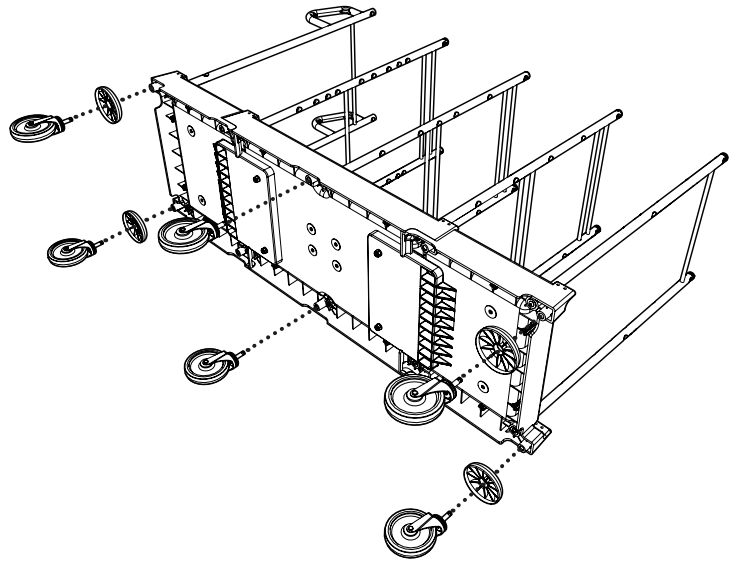
901814



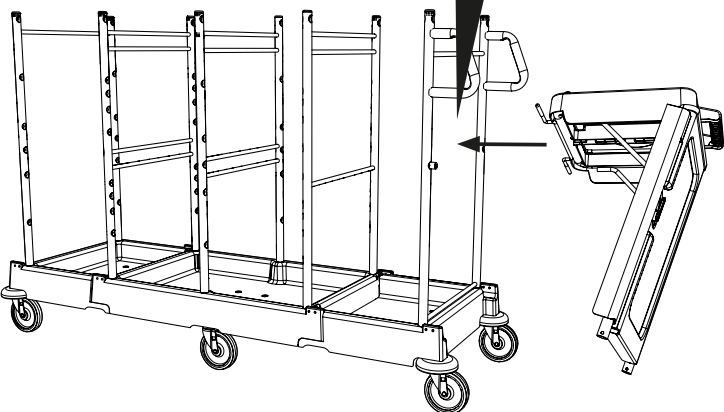
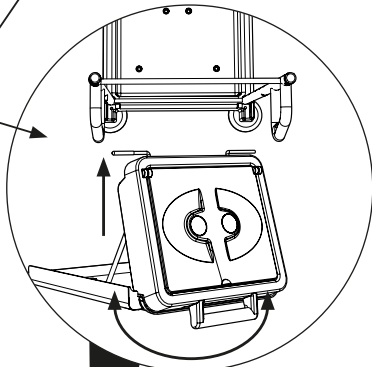
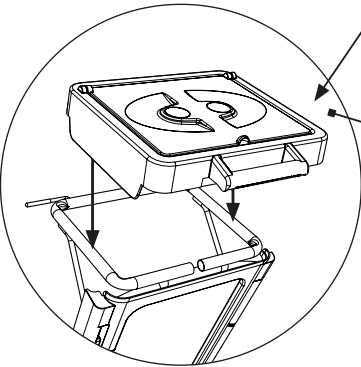
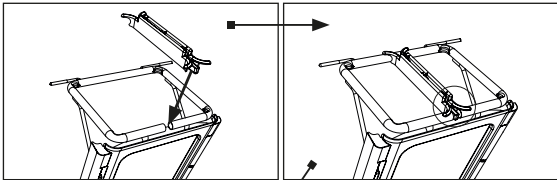
227479



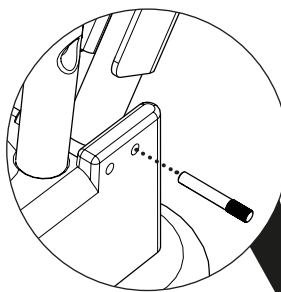
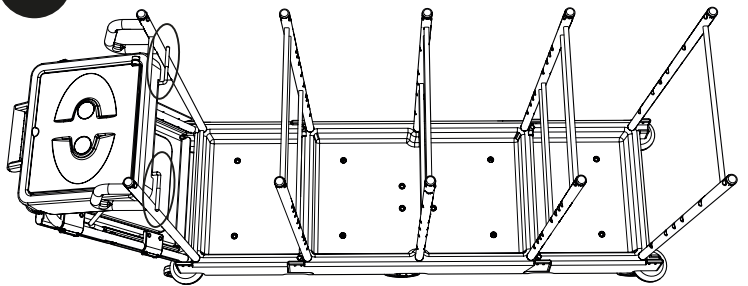
18



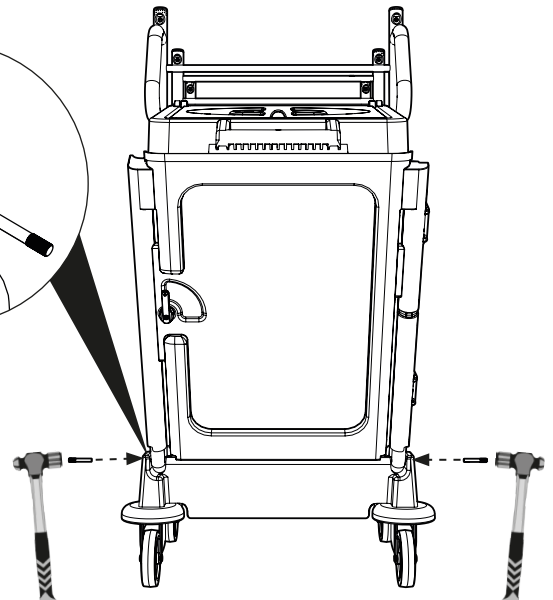
19



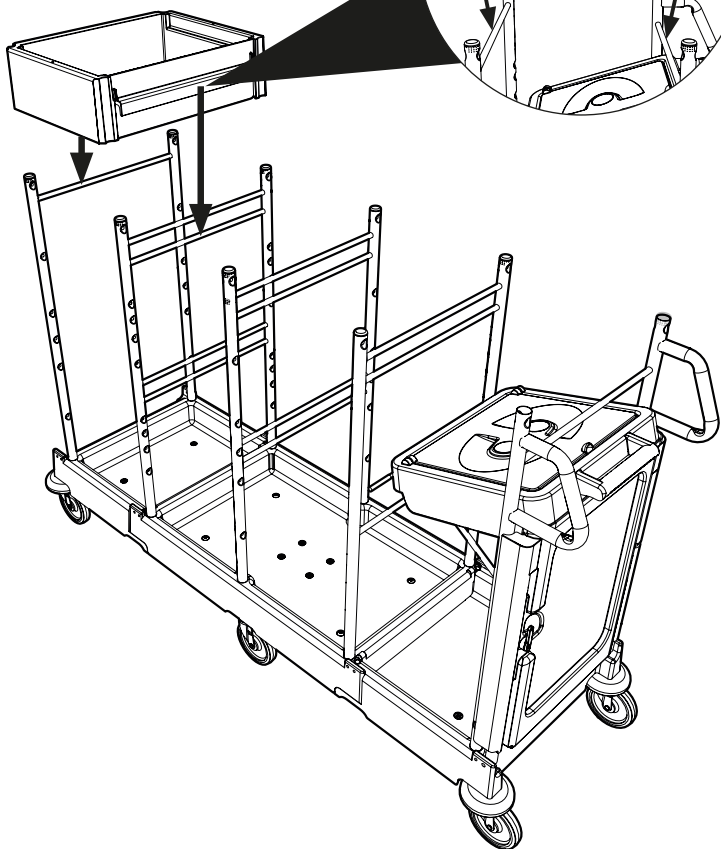
20



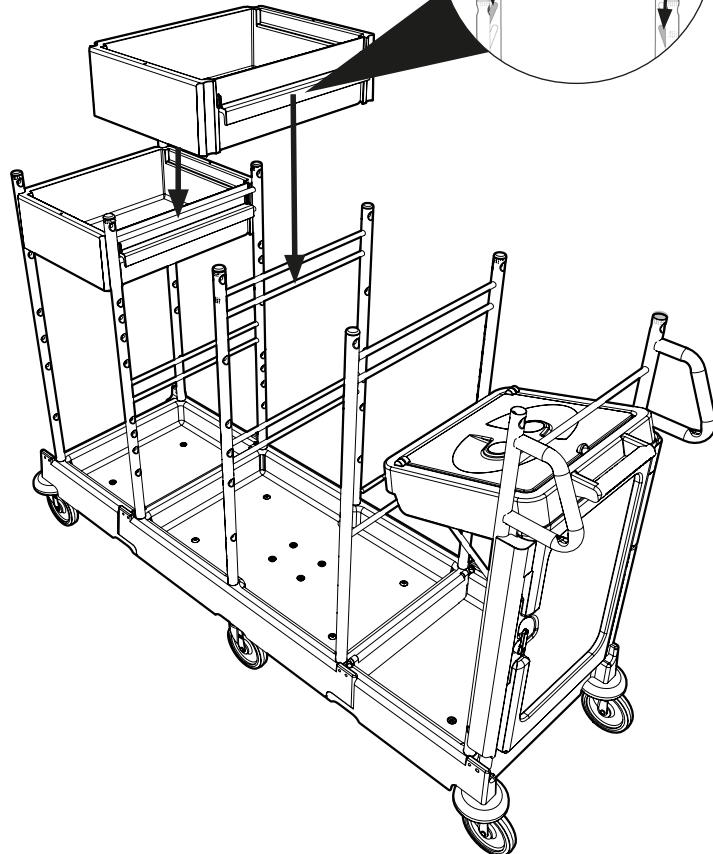
909096
X 2



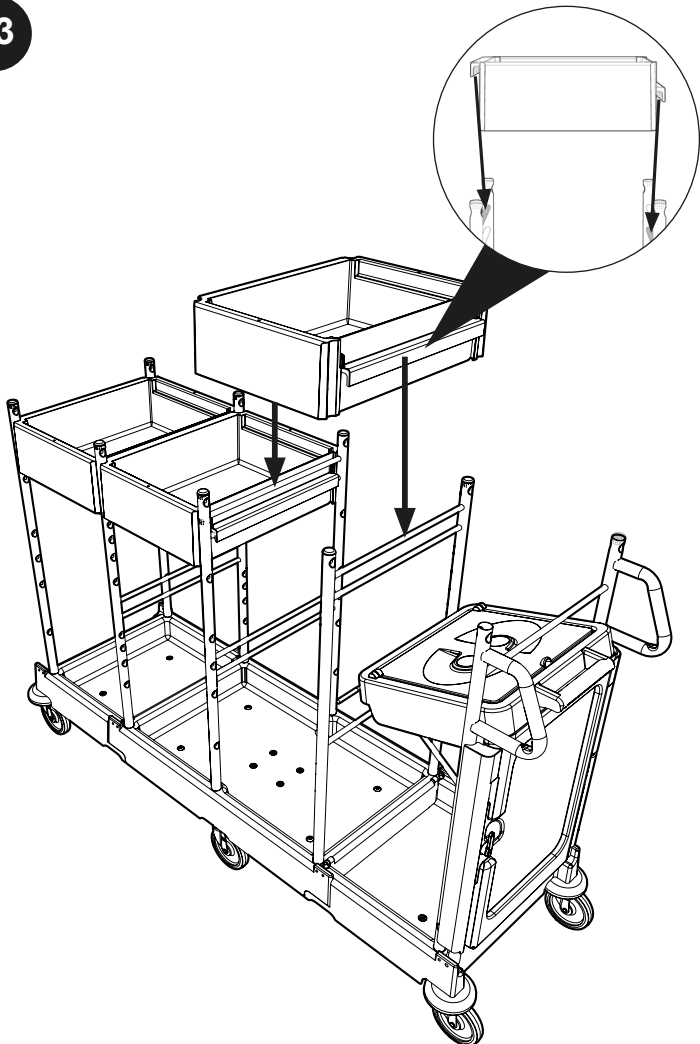
21



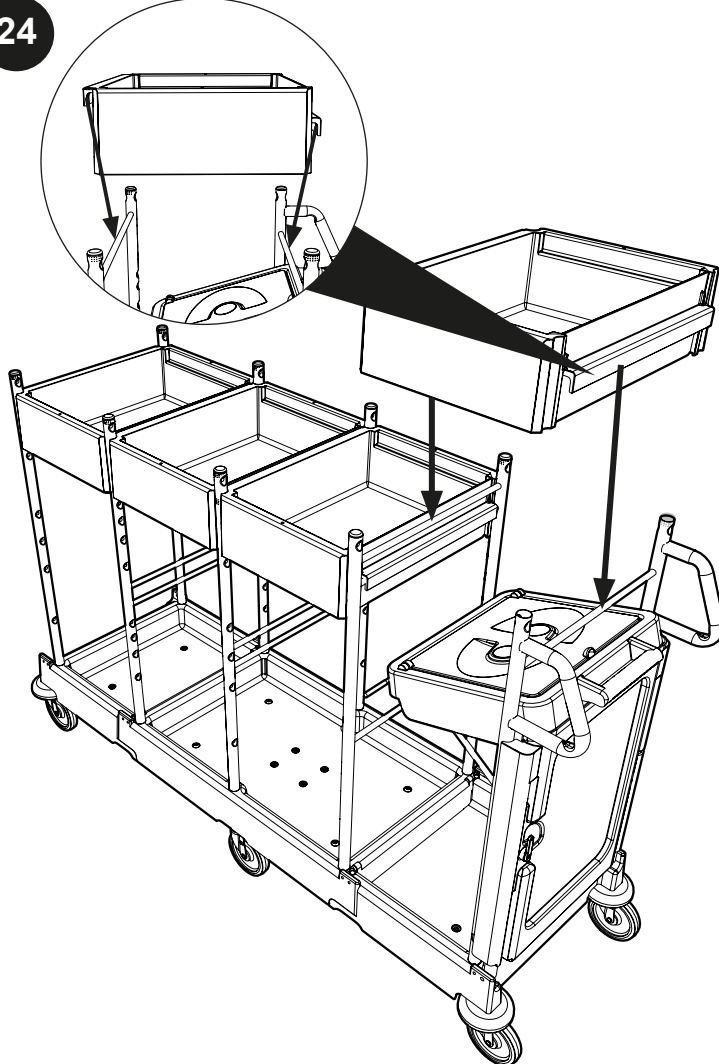
22



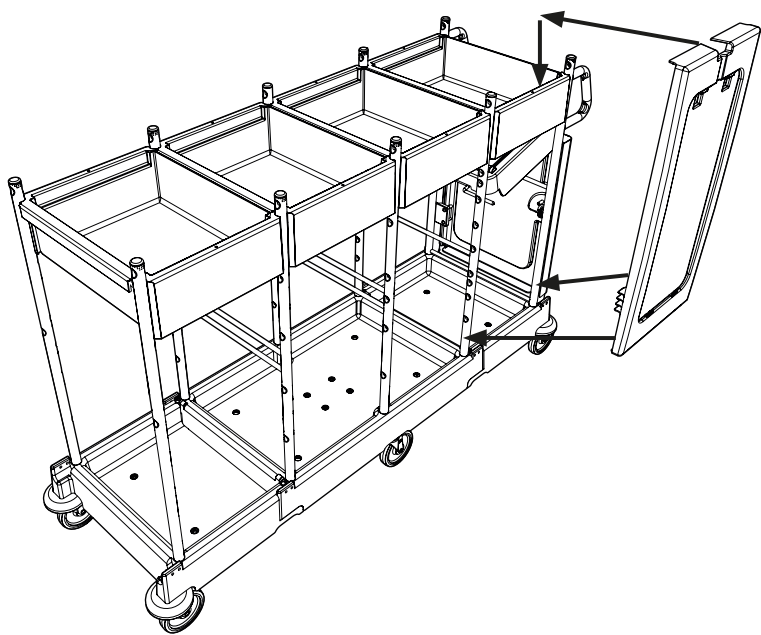
23



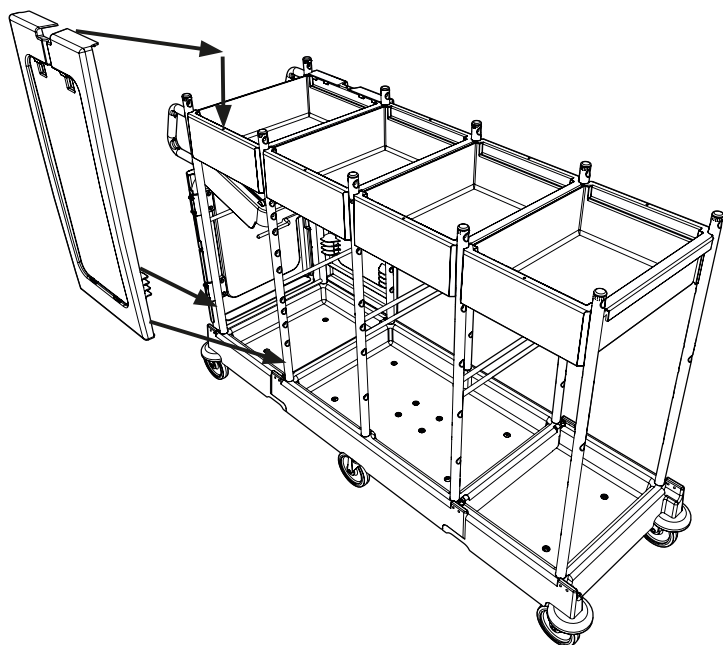
24



25

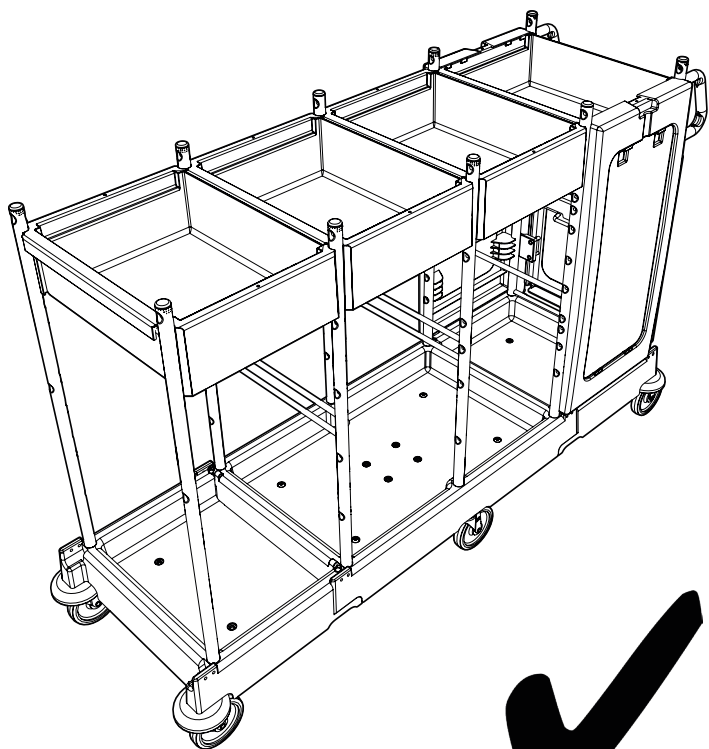


26



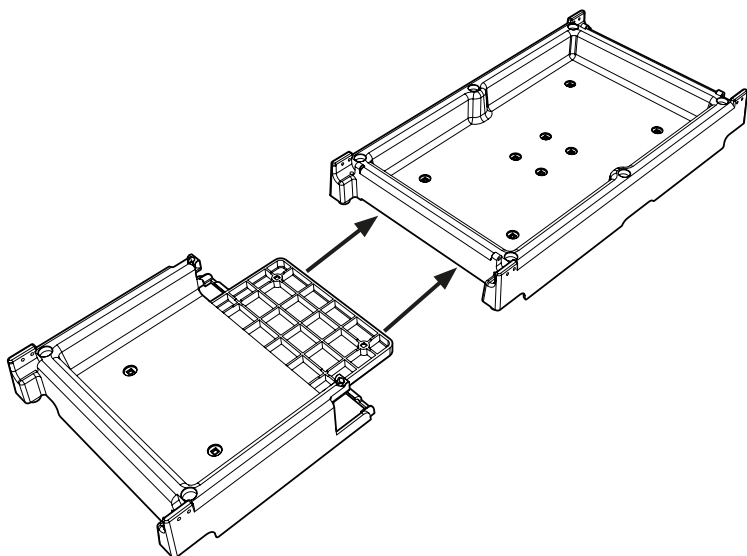
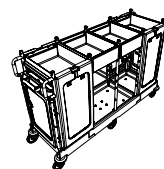
27

PM 31S

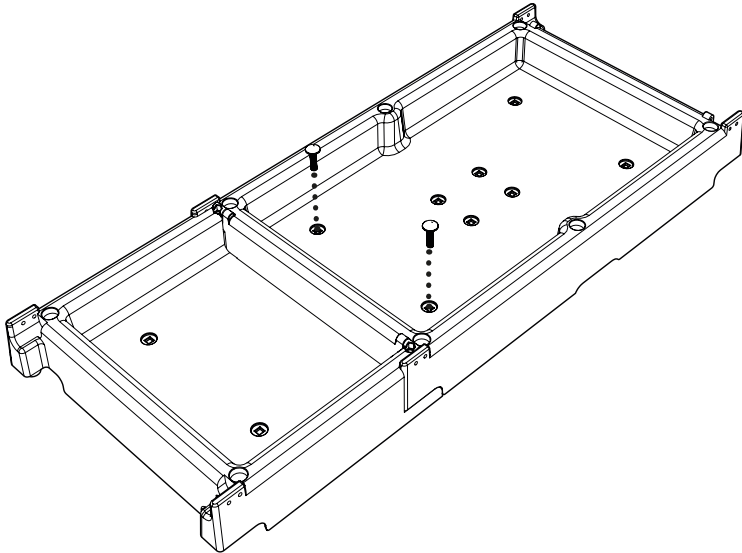
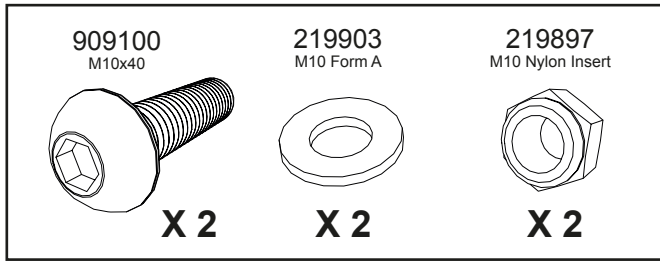


1

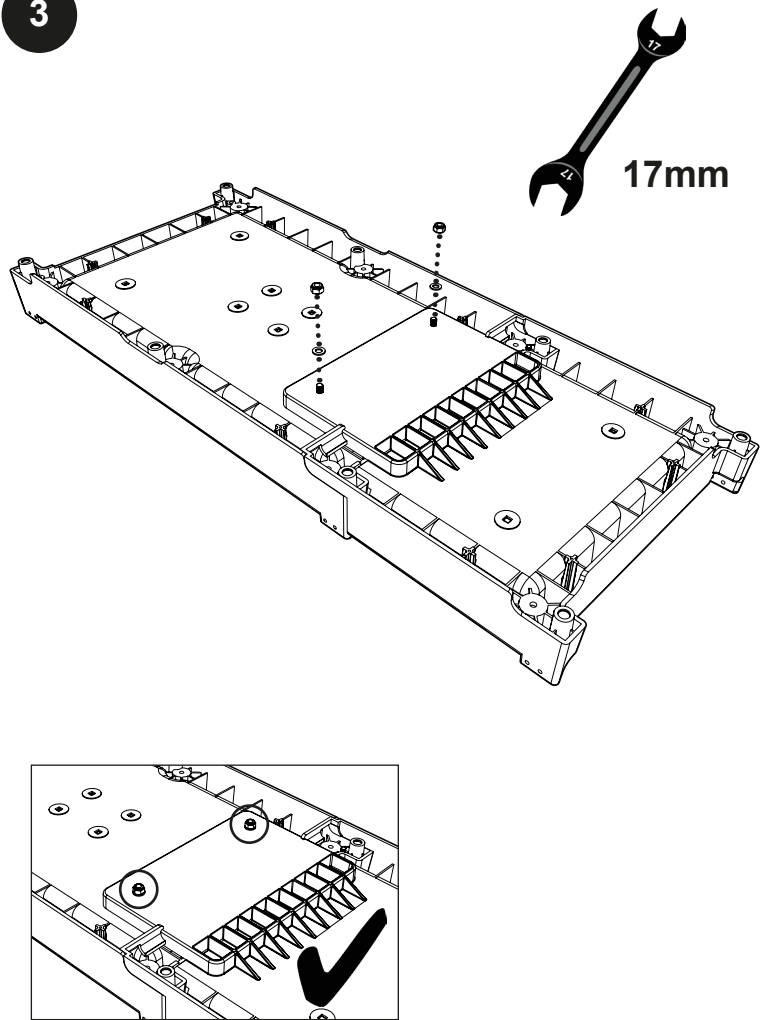
PM 32S Kit Boxes B / C / D



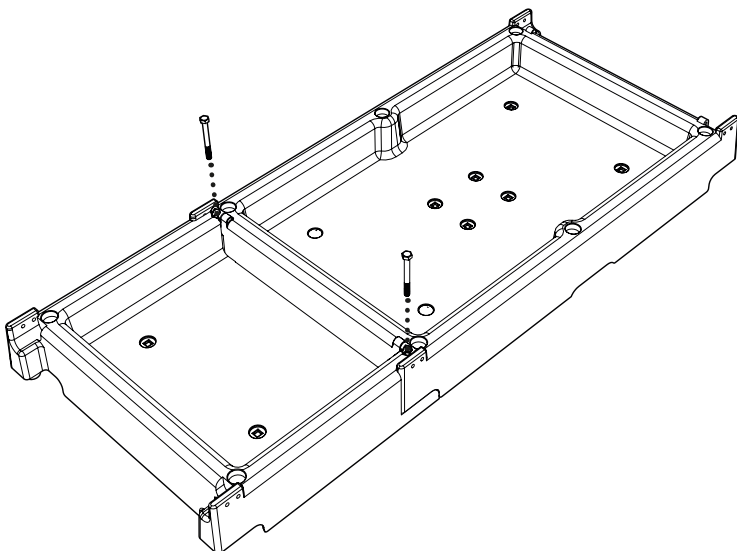
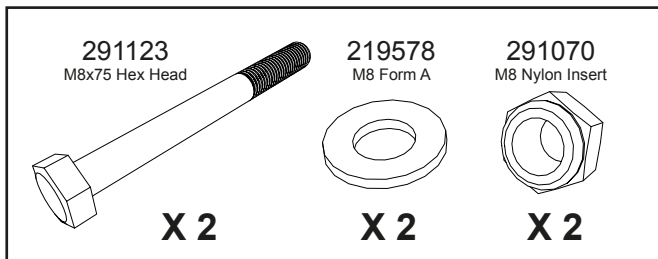
2



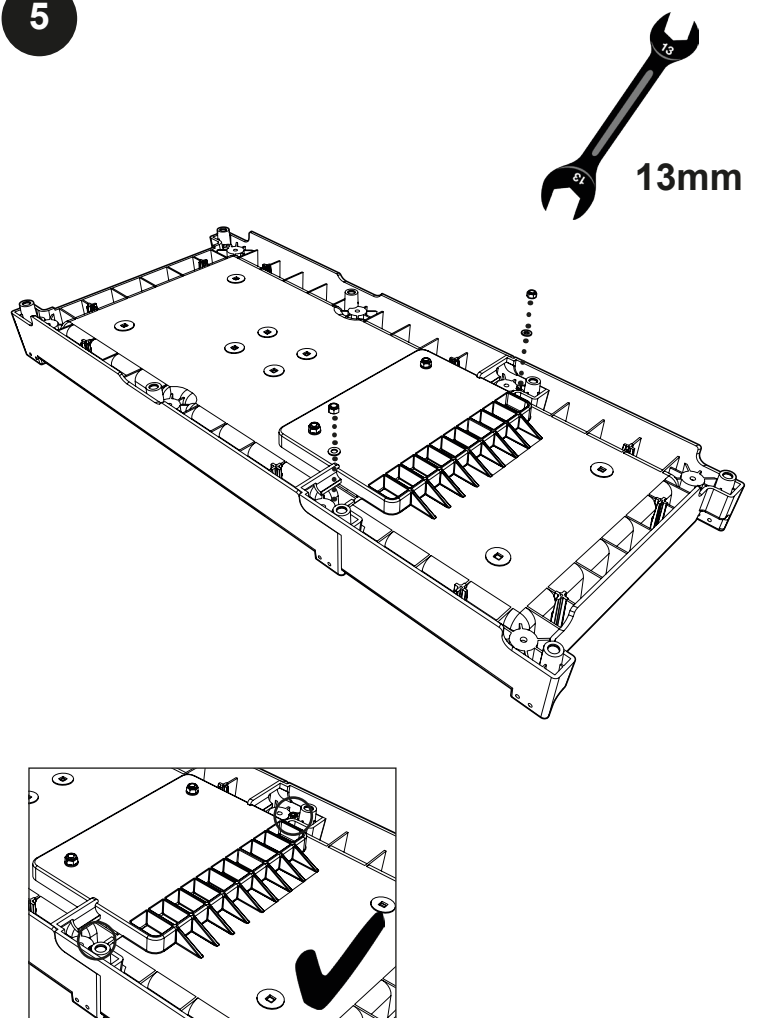
3



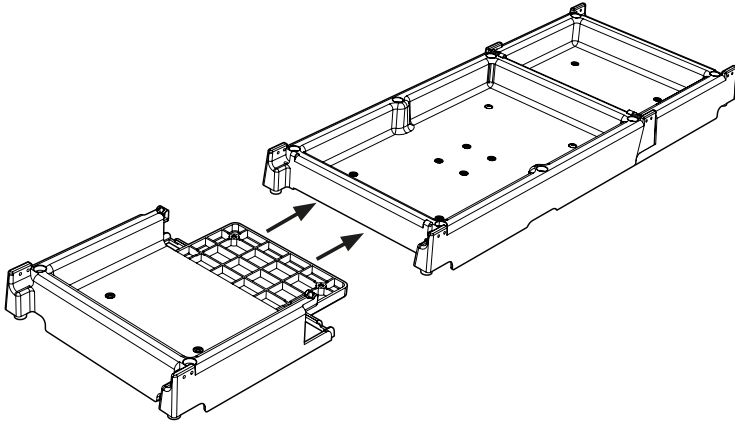
4



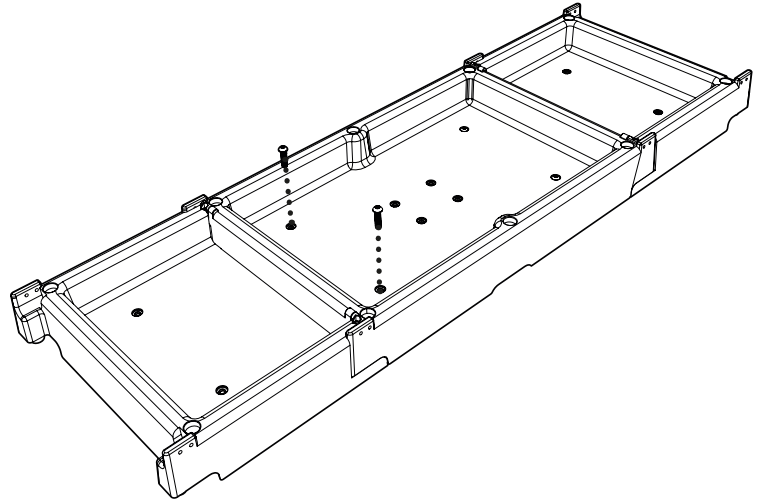
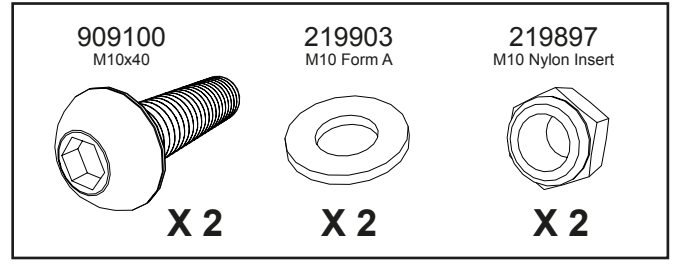
5



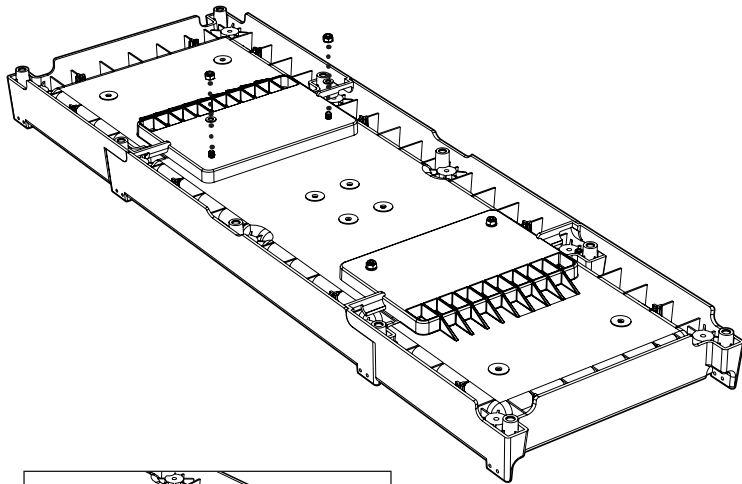
6



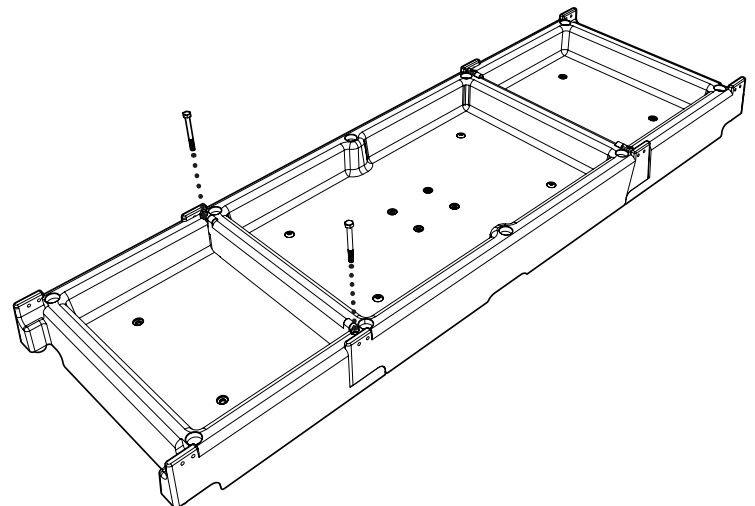
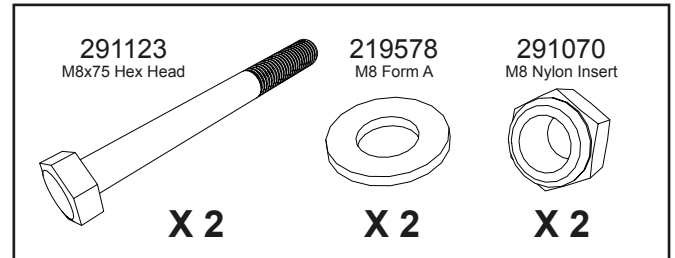
7



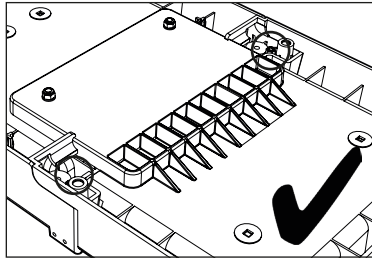
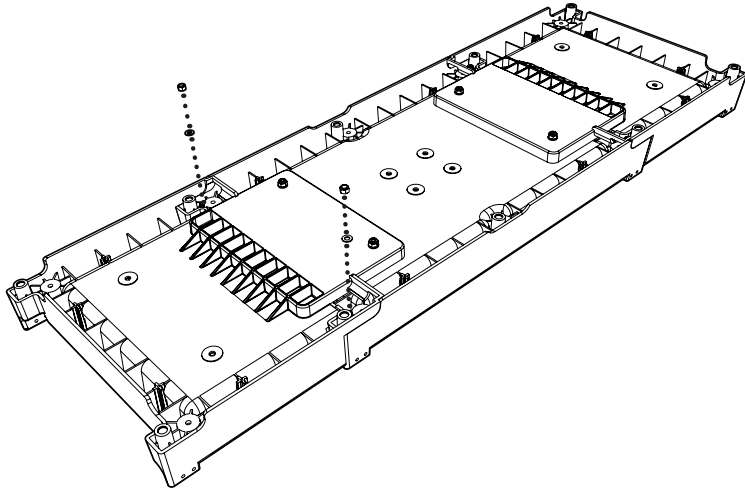
8



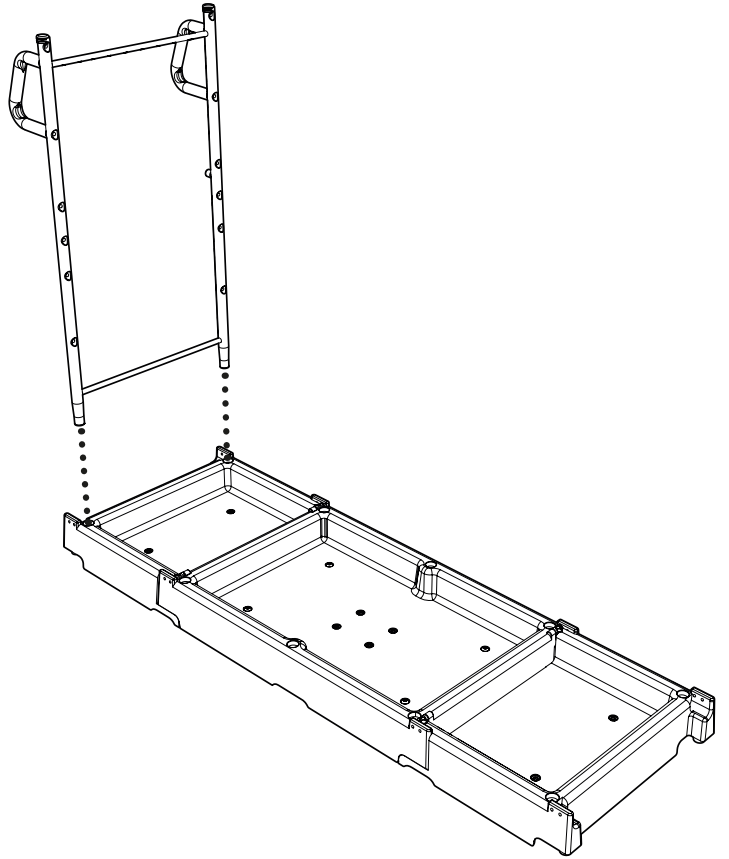
9



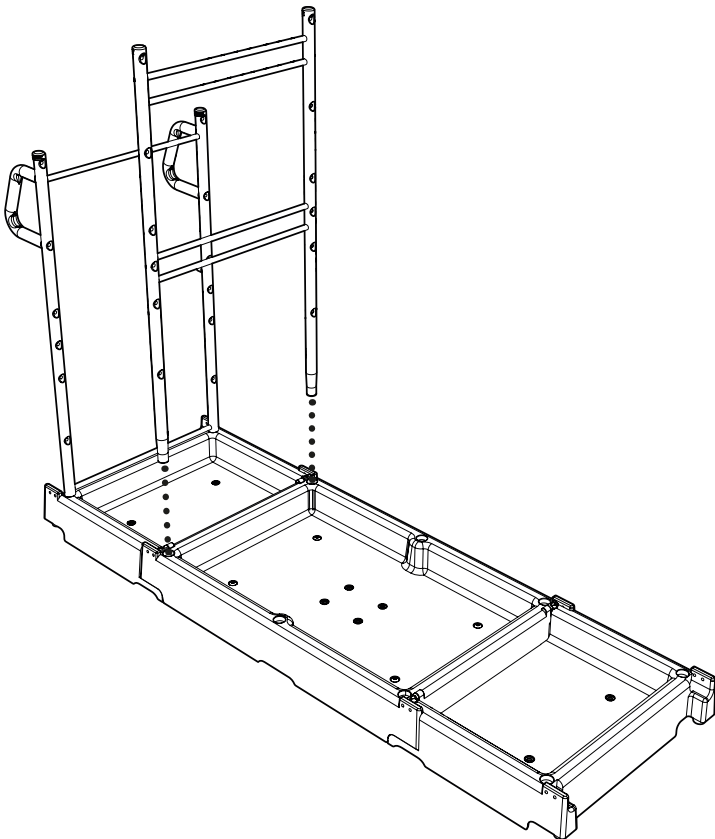
10



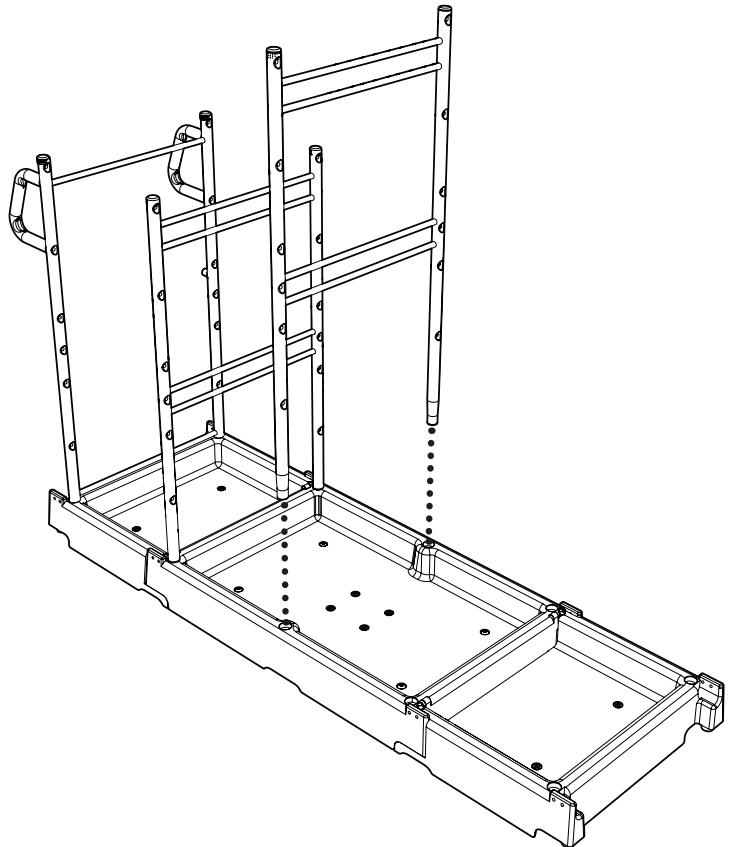
11



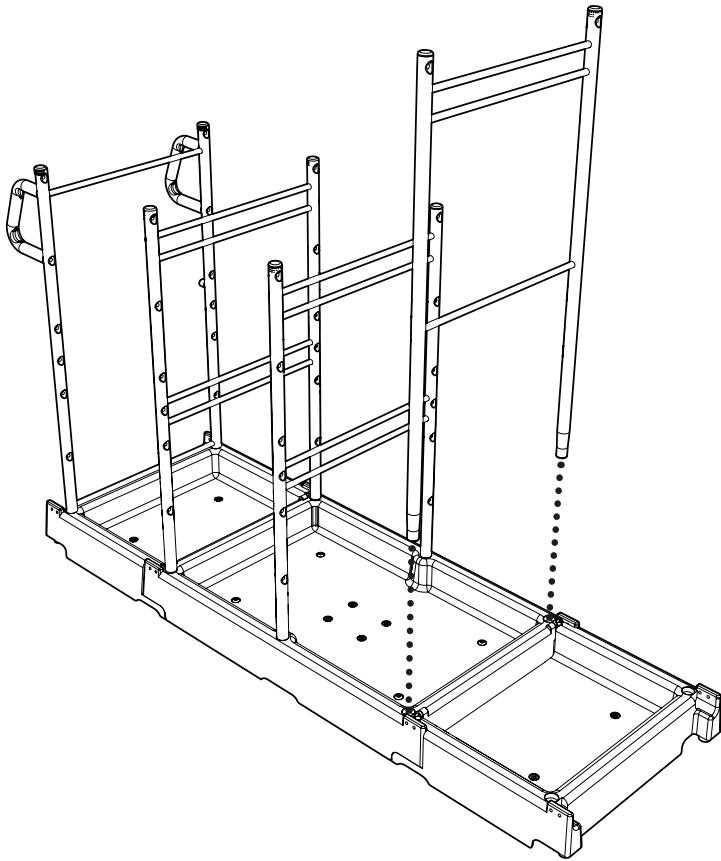
12



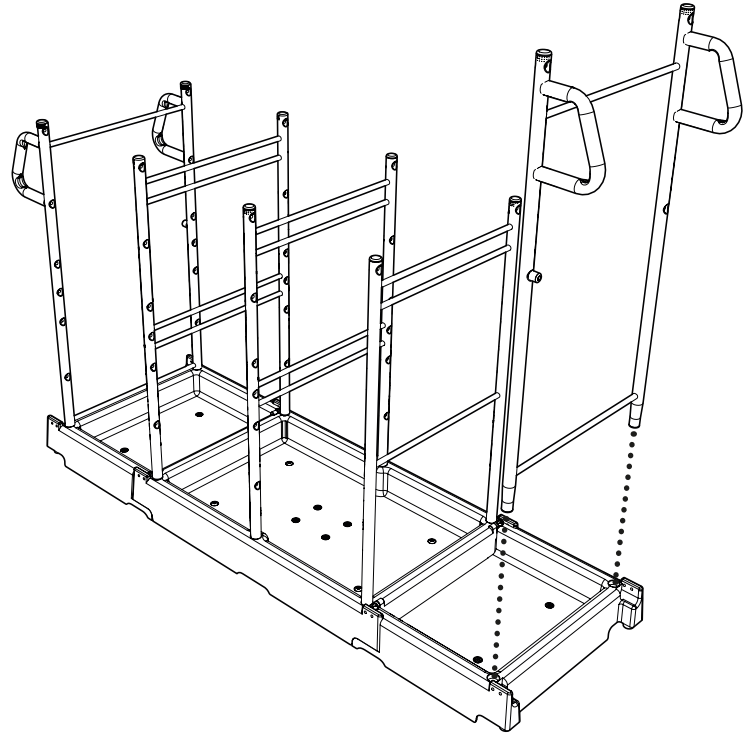
13



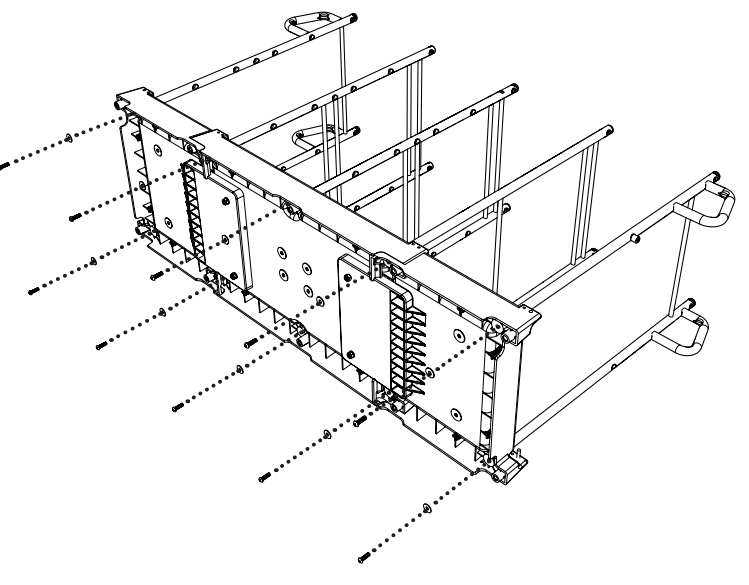
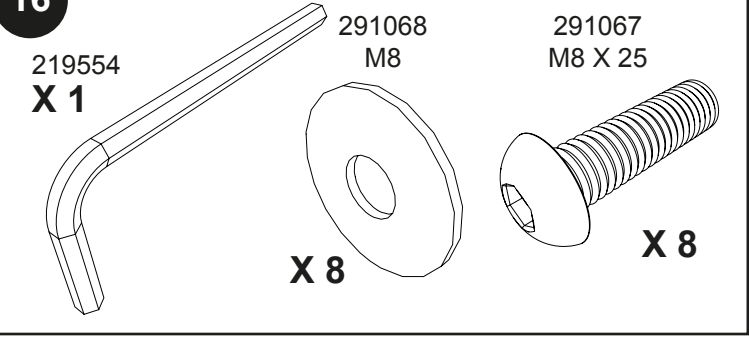
14



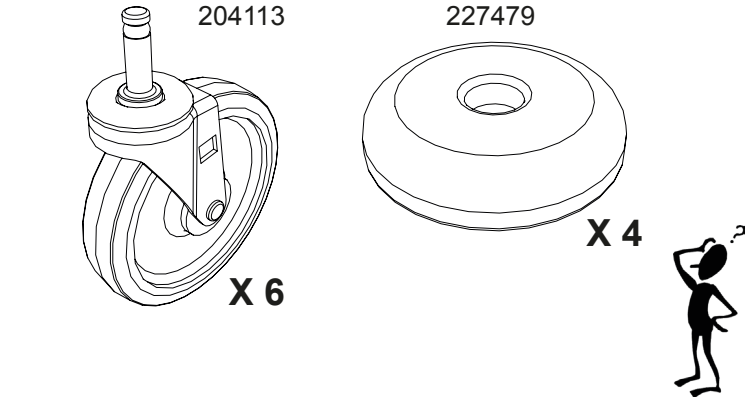
15



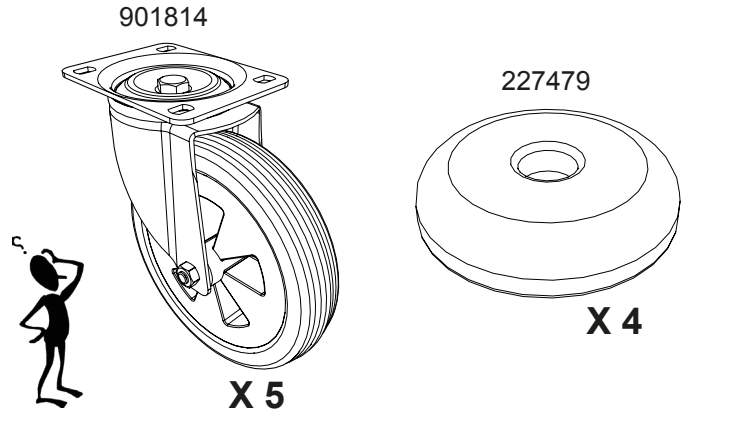
16



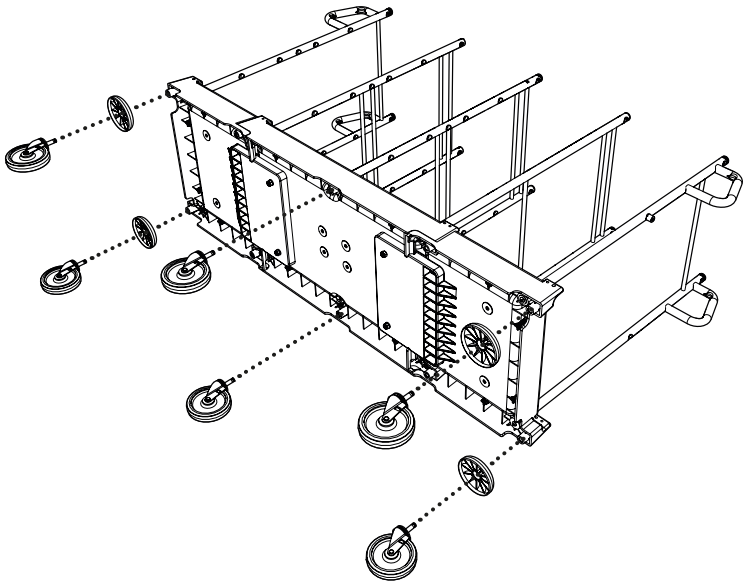
17



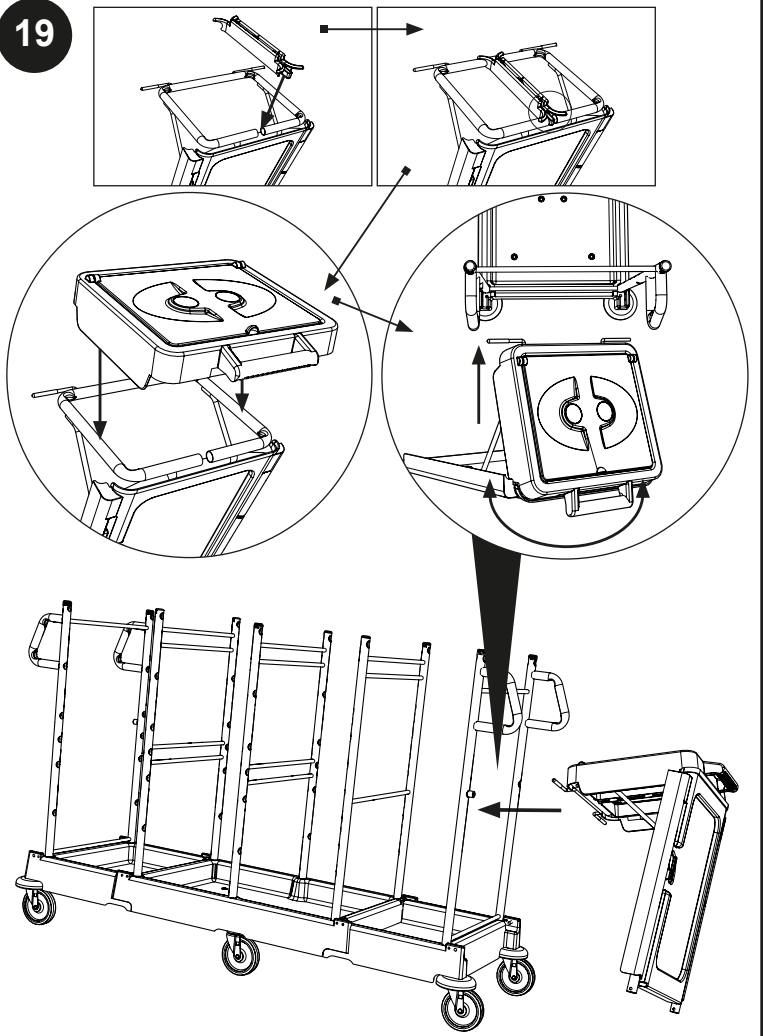
Page - 8-11



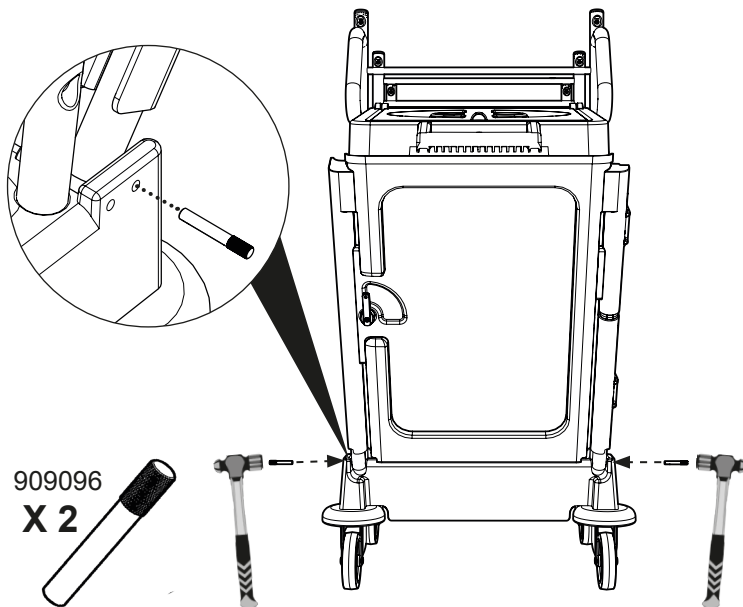
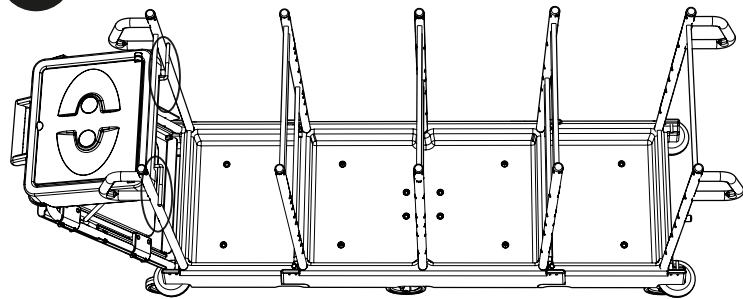
18



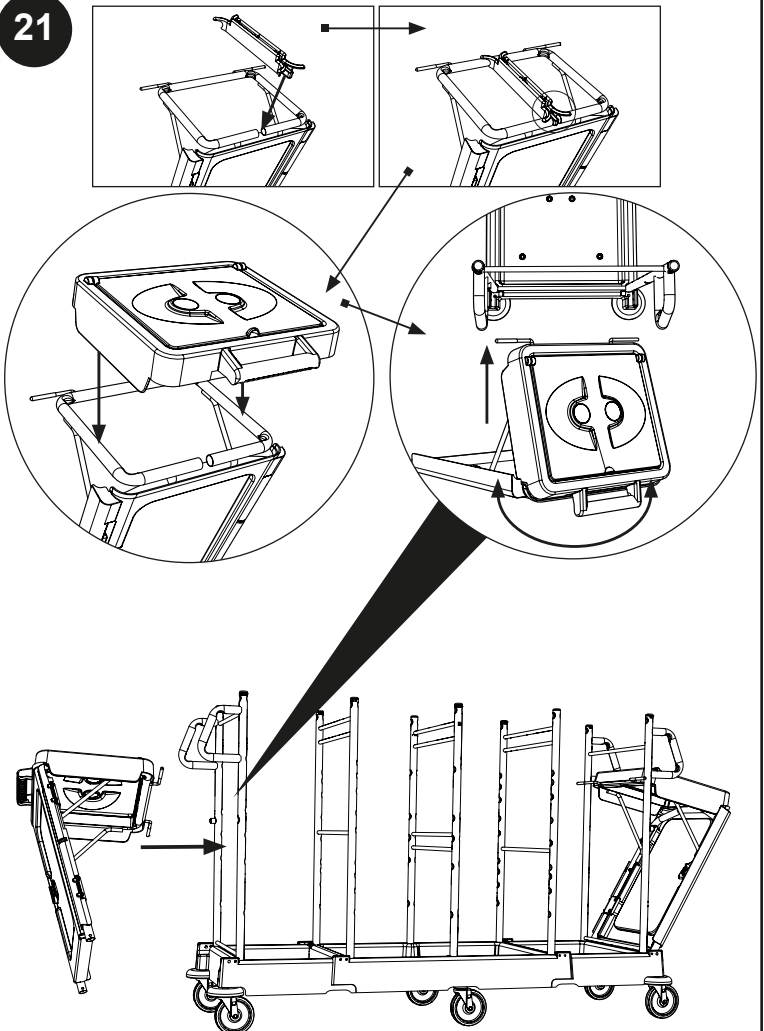
19



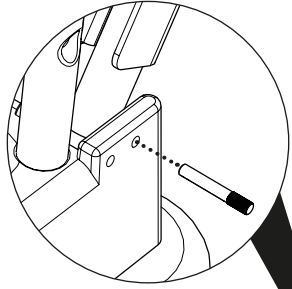
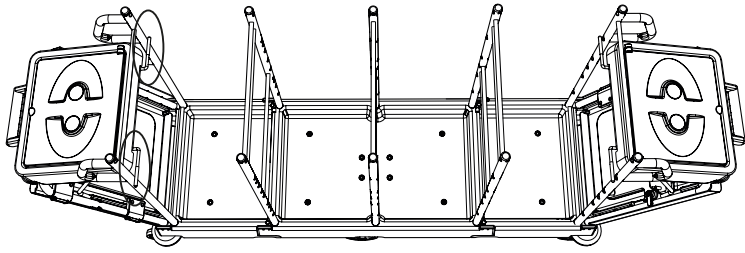
20



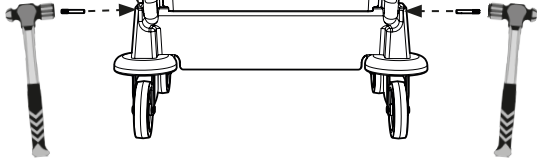
21



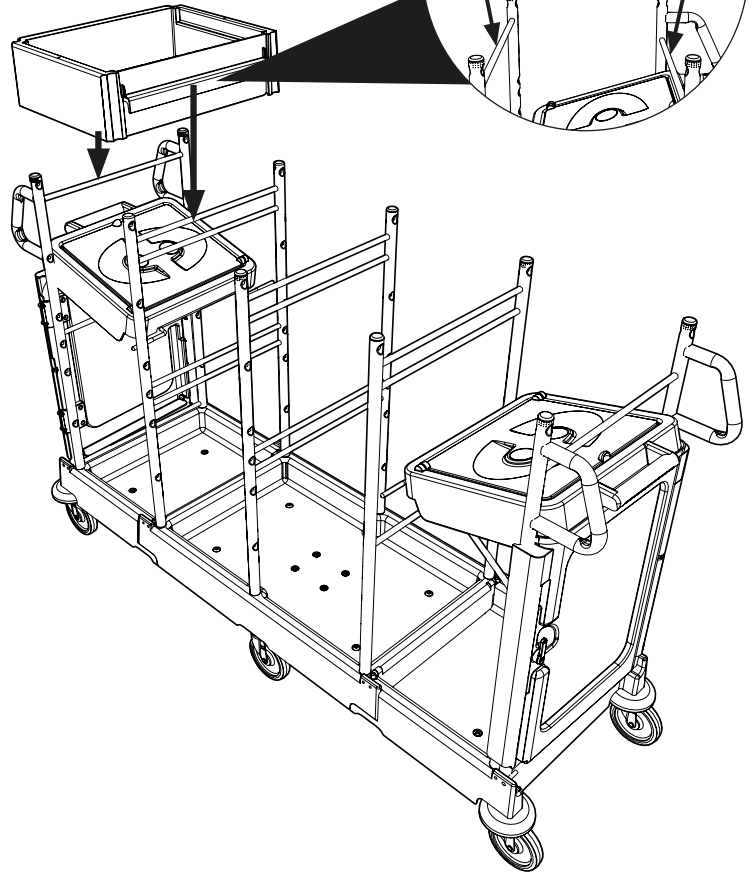
22



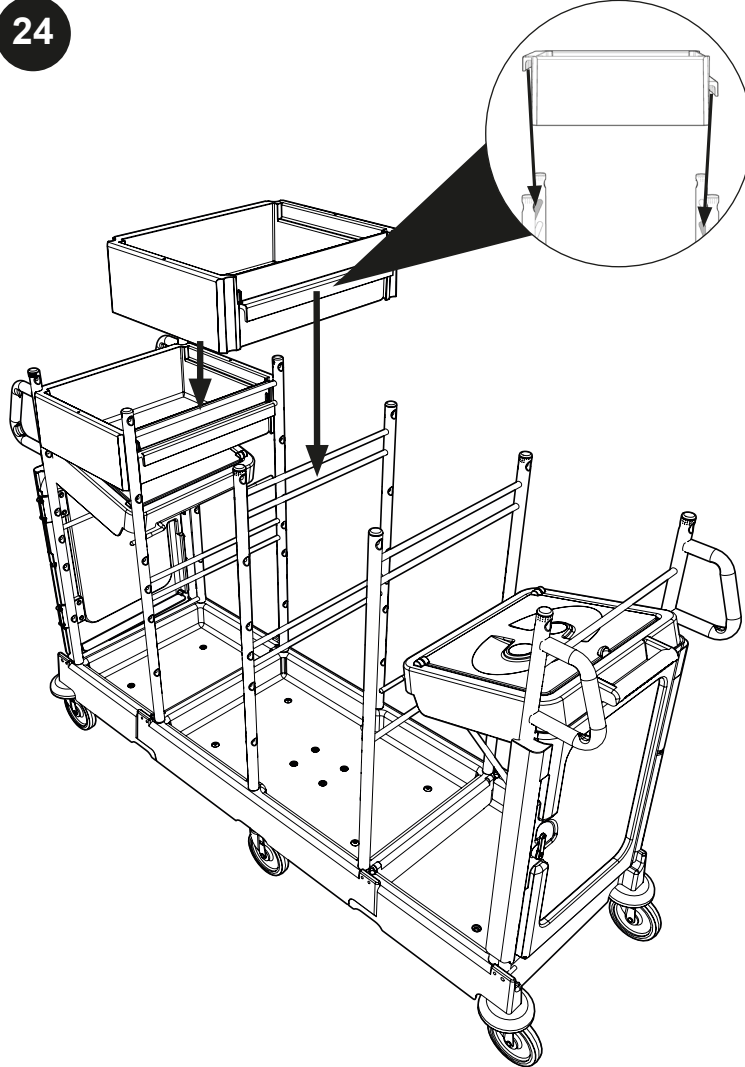
909096
X 2



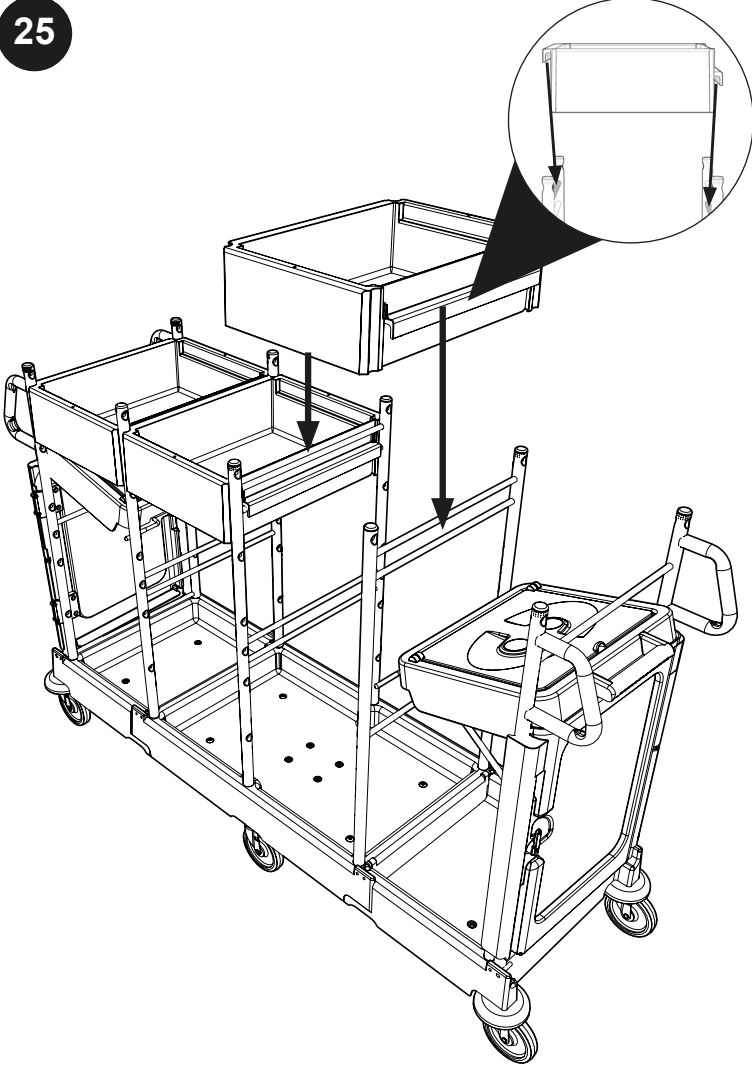
23



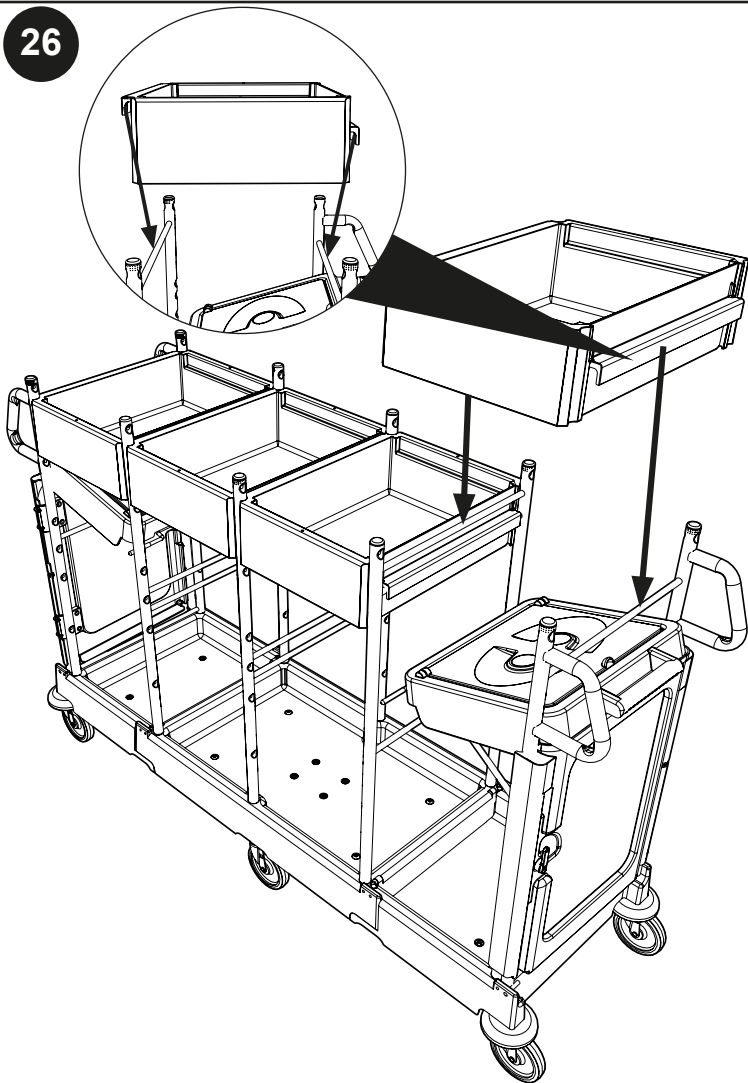
24



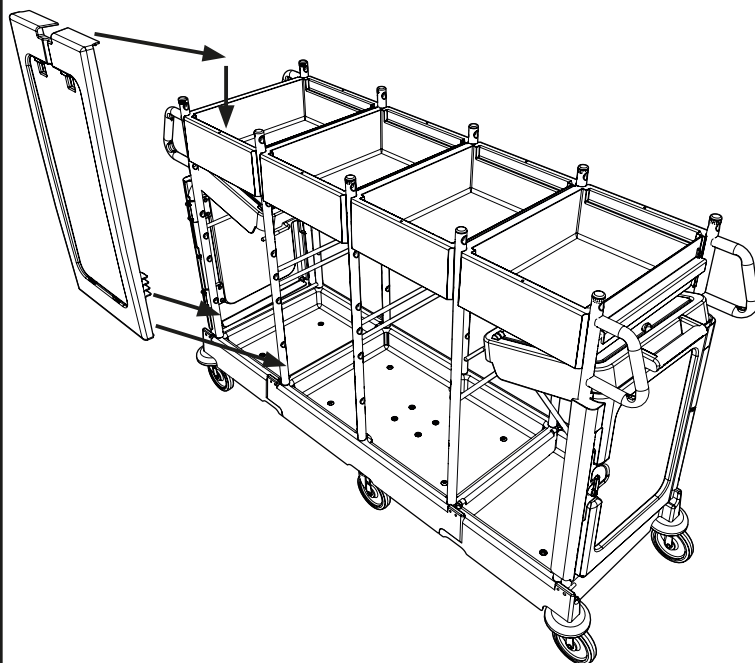
25



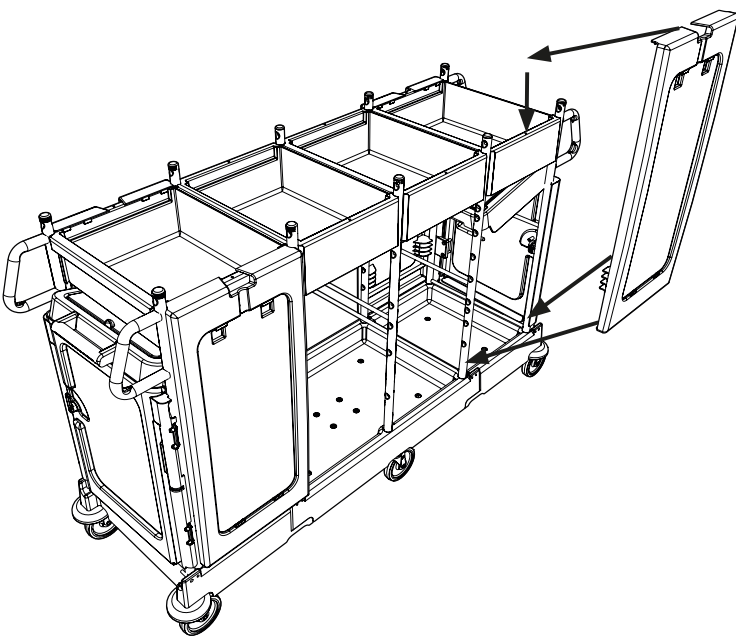
26



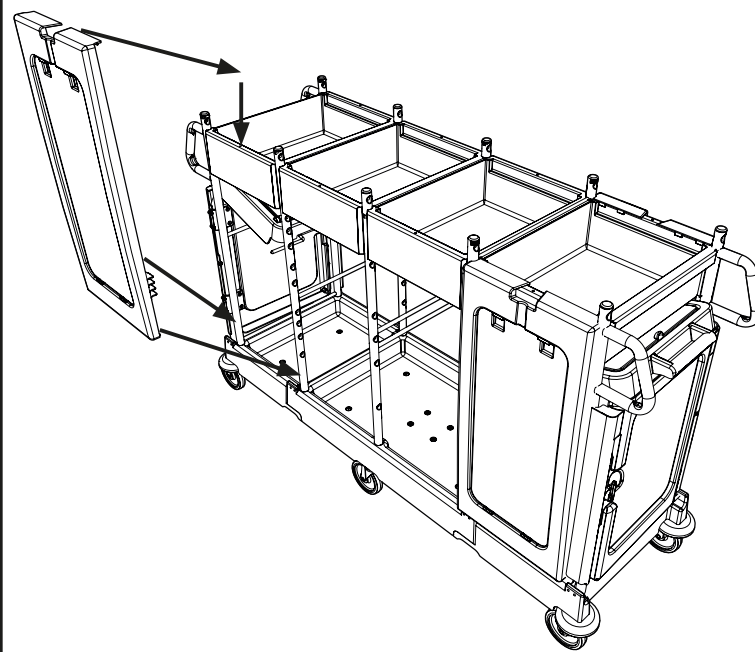
27



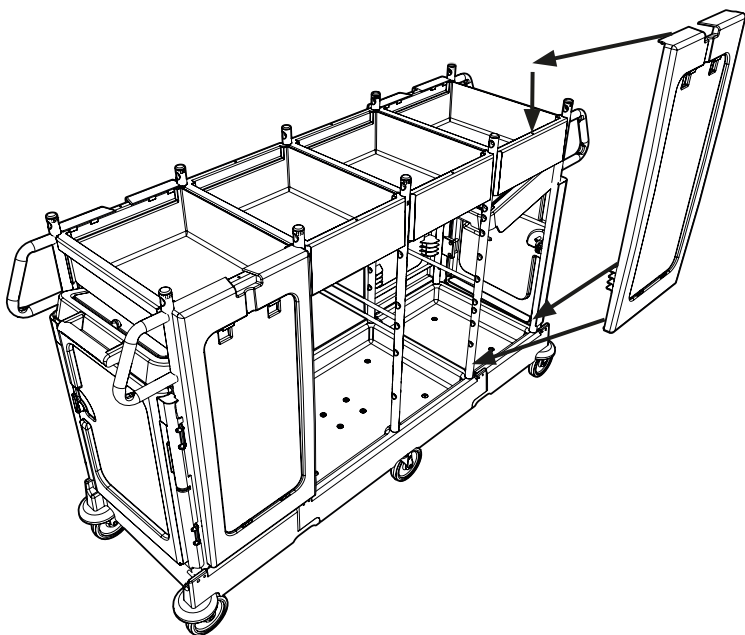
28



29

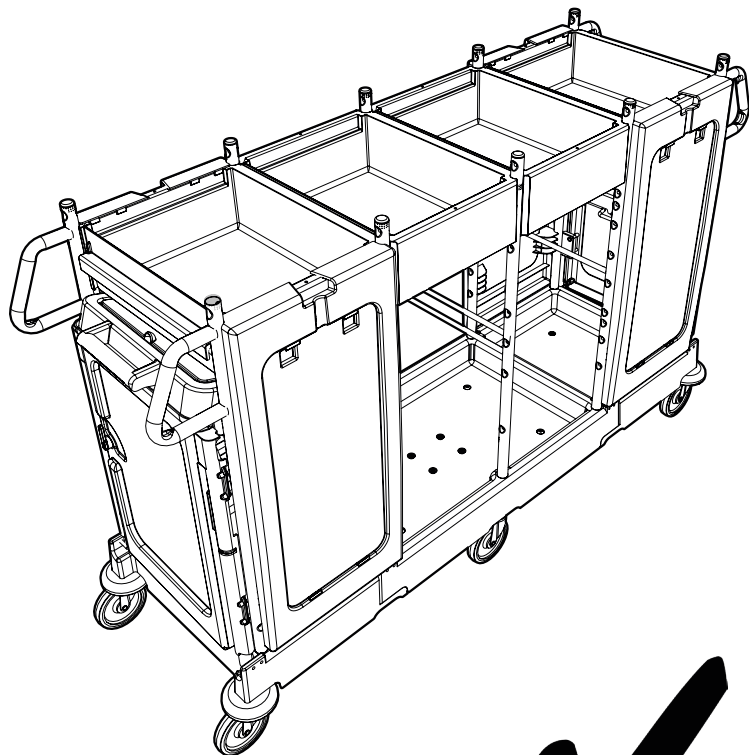


30



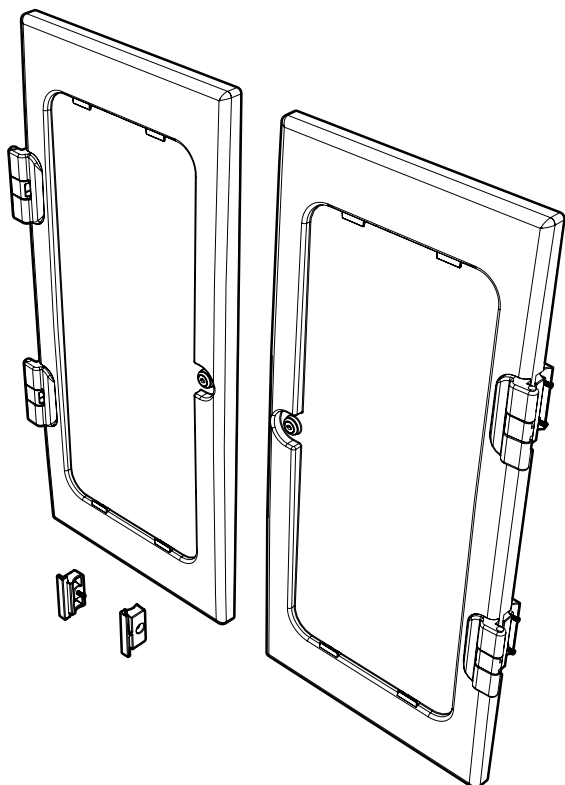
31

PM 32S

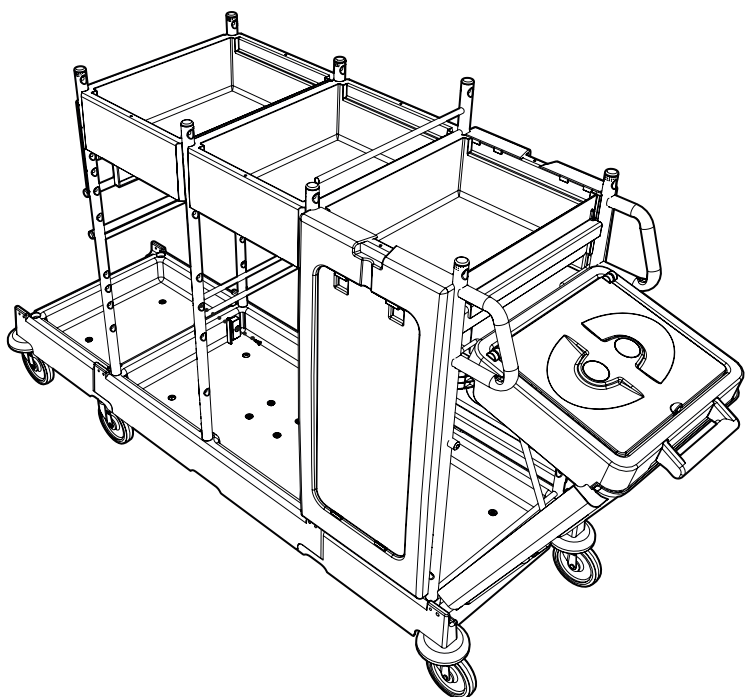


1

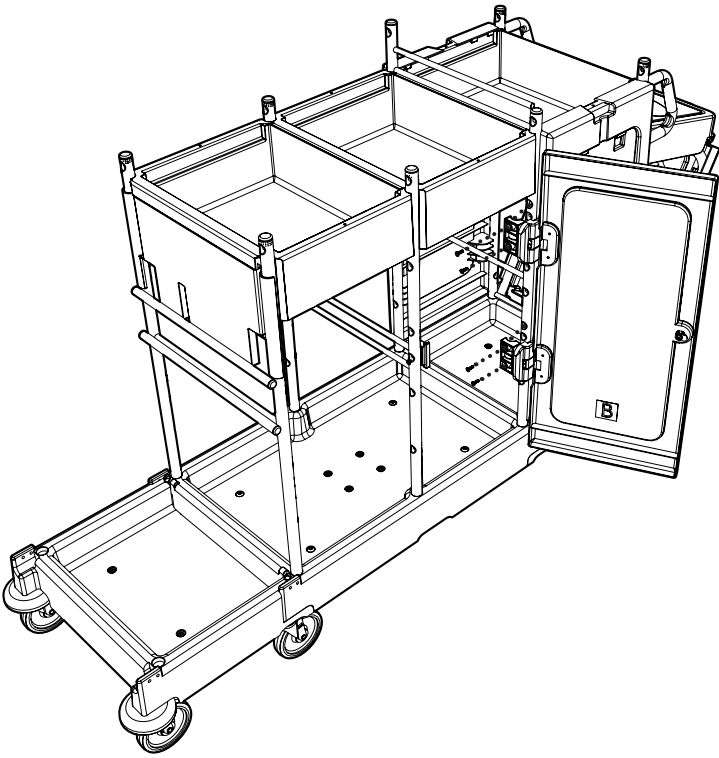
Kit SRK 26



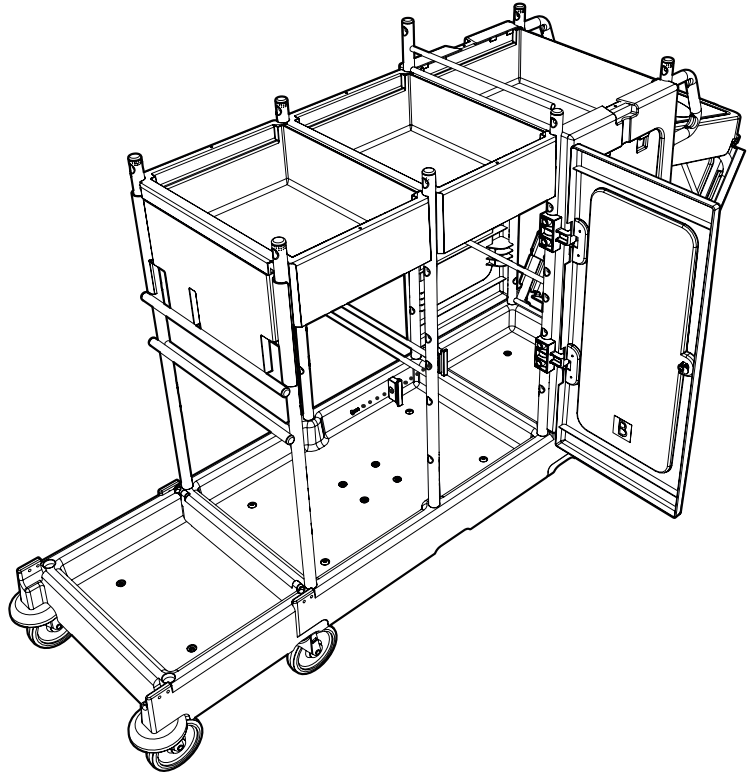
2



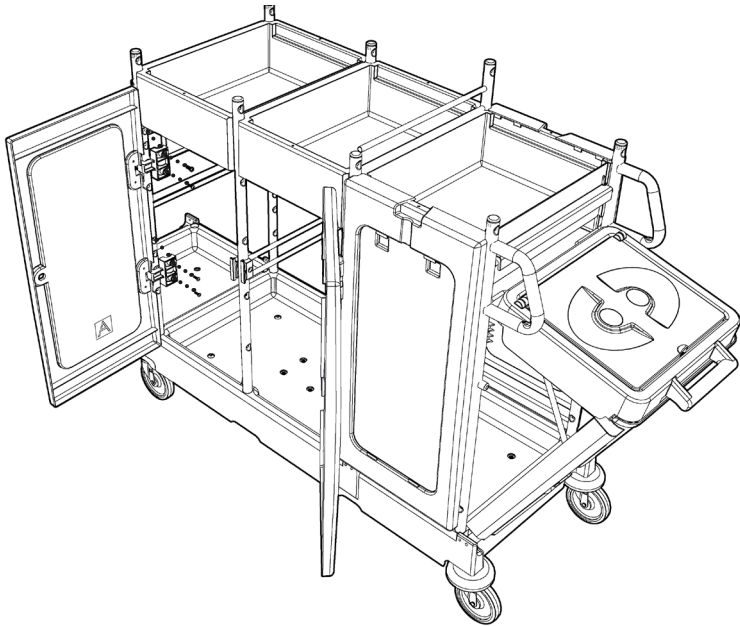
3



4

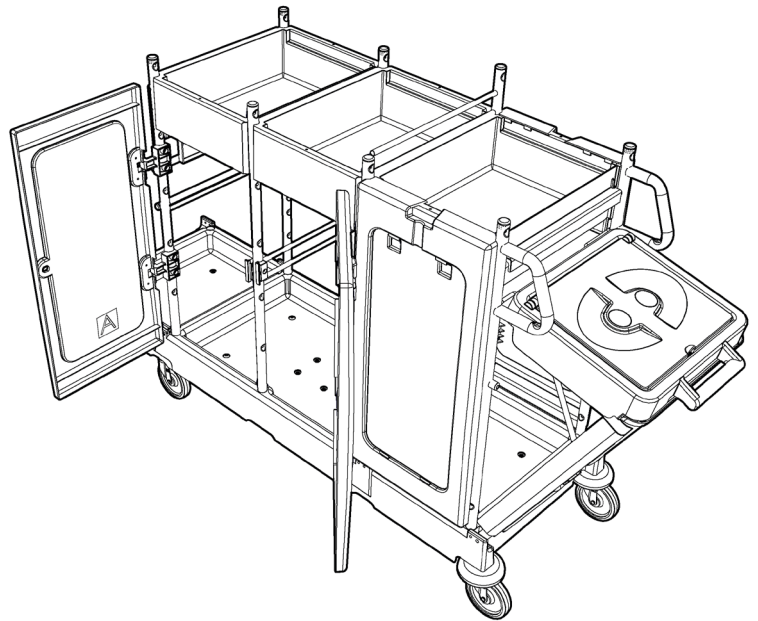


5



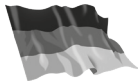
6

Kit SRK 26





Numatic International Limited.
Chard, Somerset TA20 2GB ENGLAND
Tel.: 01460 68600 www.numatic.co.uk



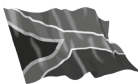
Numatic International GmbH. Fränkische Straße 15–19
D-30455 Hannover, DEUTSCHLAND
Tel.: 05 11 98 42 16 0 www.numatic.de



Numatic International SAS. 13 / 17 rue du Valengelier
77500 CHELLES, FRANCE
Tel: 01 64 72 61 61 www.numatic.fr



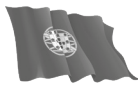
BeNeLux Distribution, Numatic International BV
Postbus 101, 2400 AC Alphen aan den Rijn, NEDERLAND
Tel: 0172 467 999 www.numatic.nl



Numatic International (Pty.) Ltd.
16th & Pharmaceutical Roads, Midrand, Gauteng, SOUTH AFRICA 1685
Tel: 0861 686 284 www.numatic.co.za



Numatic International Schweiz AG.
Sihlbruggstrasse 142, 6340 Baar. SCHWEIZ
Tel: 0041 (0) 41 76 80 76 - 0 www.numatic.ch



Numatic International ULDA. Centro de Negócios da Maia,
Rua Albino José Domingues, 581, 4470 – 034 Maia PORTUGAL
Tel: +351 220 047 700 www.numatic.pt



Numatic International SLU. C/ La Forja, 41, 08840 Viladecans
(Barcelona), Spain
Tel: +34 93 647 22 22 www.numatic.es

This Product has been comprehensively inspected and checked during every stage of its manufacture.

Specification subject to change without prior notice
www.numatic.co.uk © Numatic International Limited

NUMATIC TROLLEY
Configuration Assembly
PM 10S, 11S, 12S. PM 20S, 21S, 22S. PM 30S, 31S, 32S.
909080 A04 03/2019