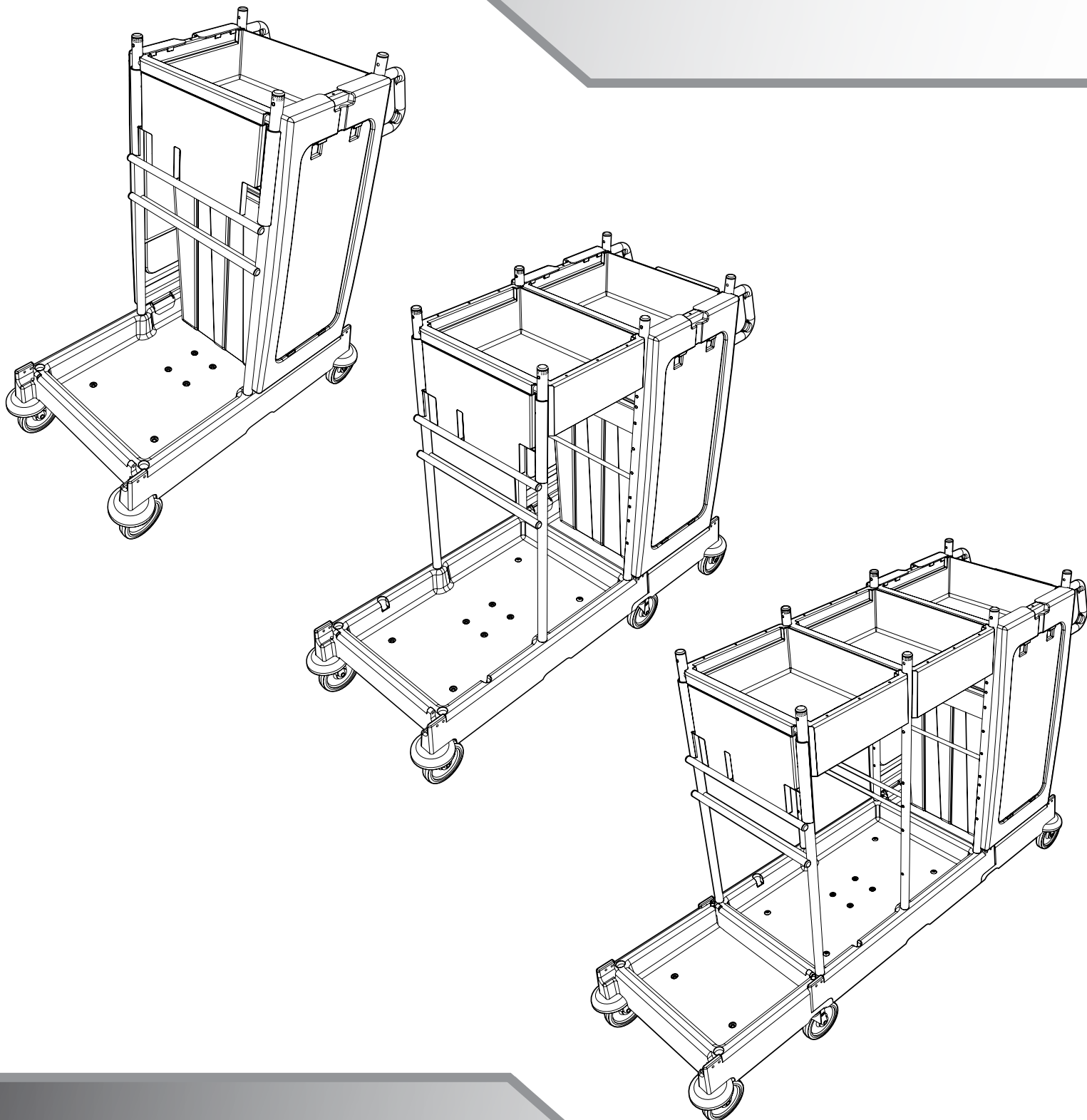


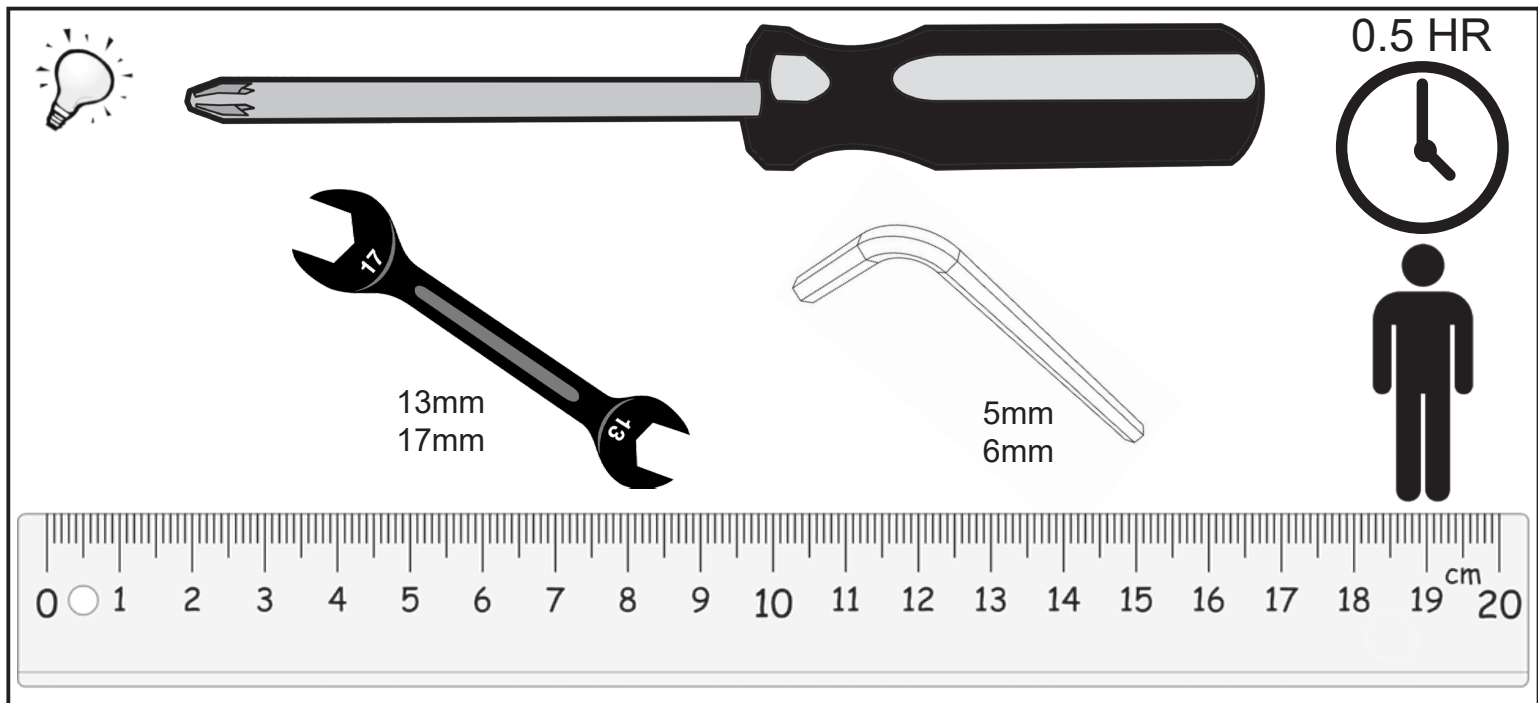
PM-10s, PM-11s, PM-12s,
PM-20s, PM-21s, PM-22s,
PM-30s, PM-31s, PM-32s

Numatic

numatic.com



Original Instructions



Pro-Matic Trolley Kits

ITEM	Stainless Steel	PM-10 DESCRIPTION	QTY
1	910011	LARGE BASE BLACK PRINTED NUMATIC	1
2	910012	CLIP ON BLACK REFLO PLAIN TRAY MOULDING	1
3	910013	SIDE PANEL BLACK REFLO MOULDING	2
4	910014	FRONT PANEL BLACK REFLO MOULDING	1
5	911950	REAR SWING OUT WASTE BIN ASSEMBLY	1
6	911949	REAR UPRIGHT FRAME ASSEMBLY WITH WASTE BIN STAYS	1
7	911710	REAR BAG SECURING FRAME BLACK REFLO	1
8	911714	REAR LID GREY	1
9	908631	FRONT UPRIGHT FRAME	1
10	909097	KIT SC 909097 (NO EXTRA SCREWS)	1
11	908229	120-LITRE GREY WASTE BAGS (ROLL OF 10)	1

ITEM	Stainless Steel	Kit SRK 35S DESCRIPTION	QTY
1	910035	BASE EXTENSION MOULDING BLACK	1
2	908641	CENTRAL UPRIGHT FRAME	1
3	910012	CLIP ON TRAY MOULDING (PLAIN) BLACK	1
4	909099	KIT SC909099	1

ITEM	Stainless Steel	Kit SRK 36S DESCRIPTION	QTY
1	908633	CENTRAL UPRIGHT	1
2	910035	BASE EXTENSION MOULDING BLACK	1
3	910012	CLIP ON TRAY MOULDING (PLAIN) BLACK	1
4	909099	KIT SC909099	1

ITEM	Stainless Steel	PM - 12 DESCRIPTION	QTY
1	910011	LARGE BASE BLACK PRINTED NUMATIC REFLO	1
2	910012	CLIP ON BLACK REFLO PLAIN TRAY MOULDING	2
3	910013	SIDE PANEL BLACK REFLO MOULDING	4
4	911959	REAR UPRIGHT FRAME ASSEMBLY WITH WASTE BIN STAYS	2
5	911950	REAR SWING OUT WASTE BIN ASSEMBLY	2
6	909167	CENTRAL UPRIGHT FRAME	1
7	911710	REAR BAG SECURING FRAME BLACK REFLO	2
8	911714	REAR LID GREY	2
9	909455	KIT SC909455	1
10	911949	REAR UPRIGHT FRAME ASSEMBLY WITH WASTE BIN STAYS	1
11	908229	120-LITRE GREY WASTE BAGS (ROLL OF 10)	1

ITEM	Stainless Steel	Kit SRK 42S DESCRIPTION	QTY
1	908641	CENTRAL UPRIGHT FRAME	1
2	910012	CLIP ON TRAY MOULDING (PLAIN) BLACK	1
3	909103	KIT SC (SCREWS)	1

ITEM	Stainless Steel	Kit SRK 43S DESCRIPTION	QTY
1	908633	CENTRAL UPRIGHT	1
2	910012	CLIP ON TRAY MOULDING (PLAIN) BLACK	1
3	909099	KIT SC (SCREWS)	1

ITEM	Stainless Steel	Kit SRK 44S DESCRIPTION	QTY
1	908626	CENTRAL UPRIGHT FRAME WELDED ASSEMBLY	1
2	910012	CLIP ON TRAY MOULDING (PLAIN) BLACK	1
3	909103	KIT SC	1

ITEM	Part Number	Kit SRK 30 DESCRIPTION	QTY
1	909426	DOOR "A" ASSEMBLY(PROMATIC)	1
2	911445	KIT SC911445	1
3	906441	LOCK LOCATOR MOULDING (BLACK)	1
4	208282	SET OF 2 LOCK KEYS	1
5	910013	SIDE PANEL BLACK REFLO MOULDING	1

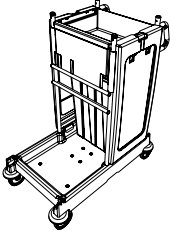
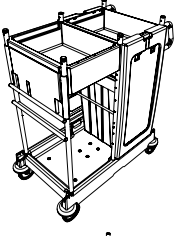
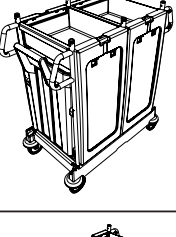
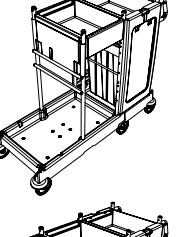
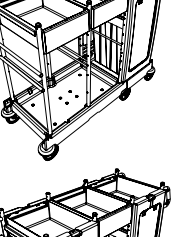
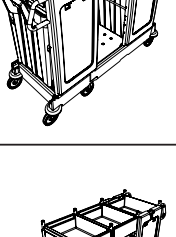
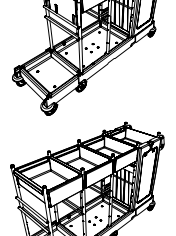
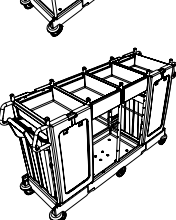

ITEM	Part Number	Kit SRK 31 DESCRIPTION	QTY
1	909426	DOOR "A" ASSEMBLY(PROMATIC)	1
2	909428	DOOR "B" ASSEMBLY(PROMATIC)	1
3	910013	SIDE PANEL BLACK REFLO MOULDING	2
4	909429	KIT SC909429(WITH EXTRA SCREWS)	1
5	906441	LOCK LOCATOR MOULDING (BLACK)	2
6	208282	SET OF 2 LOCK KEYS	2

Assembly Instructions.

PM 10S, PM 11S, PM 12S, PM 20S, PM 21S, PM 22S, PM 30S, PM 31S, PM 32S.

AT (All Terrain) Wheel Fitting - Pages 8 - 11

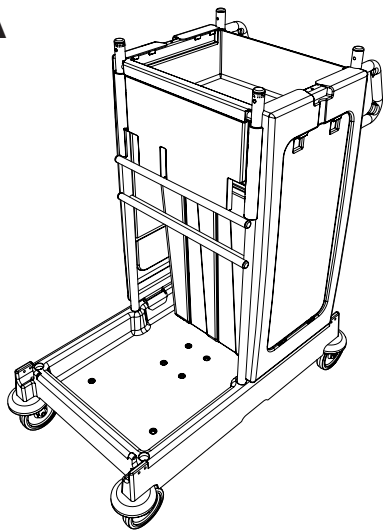
Assembly

PM10S		=	<div style="border: 1px solid black; padding: 5px; width: fit-content;"> <p>Box A PM10S See Page 5 for Kit contents</p> </div>			Page 11 - 13				
PM11S		=	<div style="border: 1px solid black; padding: 5px; width: fit-content;"> <p>Box A PM10S See Page 5 for Kit contents</p> </div>	+	<div style="border: 1px solid black; padding: 5px; width: fit-content;"> <p>Box E Kit SRK 42S See Page 5 for Kit contents</p> </div>		Page 14 - 17			
PM12S		=	<div style="border: 1px solid black; padding: 5px; width: fit-content;"> <p>Box B PM12S See Page 5 for Kit contents</p> </div>				Page 17 - 21			
PM20S		=	<div style="border: 1px solid black; padding: 5px; width: fit-content;"> <p>Box A PM10S See Page 5 for Kit contents</p> </div>	+	<div style="border: 1px solid black; padding: 5px; width: fit-content;"> <p>Box C Kit SRK 35S See Page 5 for Kit contents</p> </div>		Page 21 - 26			
PM21S		=	<div style="border: 1px solid black; padding: 5px; width: fit-content;"> <p>Box A PM10S See Page 5 for Kit contents</p> </div>	+	<div style="border: 1px solid black; padding: 5px; width: fit-content;"> <p>Box C Kit SRK 35S See Page 5 for Kit contents</p> </div>	+	<div style="border: 1px solid black; padding: 5px; width: fit-content;"> <p>Box F Kit SRK 43S See Page 5 for Kit contents</p> </div>	Page 26 - 31		
PM22S		=	<div style="border: 1px solid black; padding: 5px; width: fit-content;"> <p>Box B PM12S See Page 5 for Kit contents</p> </div>	+	<div style="border: 1px solid black; padding: 5px; width: fit-content;"> <p>Box C Kit SRK 35S See Page 5 for Kit contents</p> </div>		Page 31 - 37			
PM30S		=	<div style="border: 1px solid black; padding: 5px; width: fit-content;"> <p>Box A PM10S See Page 5 for Kit contents</p> </div>	+	<div style="border: 1px solid black; padding: 5px; width: fit-content;"> <p>Box C Kit SRK 35S See Page 5 for Kit contents</p> </div>	+	<div style="border: 1px solid black; padding: 5px; width: fit-content;"> <p>Box D Kit SRK 36S See Page 5 for Kit contents</p> </div>	Page 37 - 43		
PM31S		=	<div style="border: 1px solid black; padding: 5px; width: fit-content;"> <p>Box A, PM10S See Page 5 for Kit contents</p> </div>	+	<div style="border: 1px solid black; padding: 5px; width: fit-content;"> <p>Box C Kit SRK 35S See Page 5 for Kit contents</p> </div>	+	<div style="border: 1px solid black; padding: 5px; width: fit-content;"> <p>Box D Kit SRK 36S See Page 5 for Kit contents</p> </div>	+	<div style="border: 1px solid black; padding: 5px; width: fit-content;"> <p>Box G Kit SRK 44S See Page 5 for Kit contents</p> </div>	Page 44 - 50
PM32S		=	<div style="border: 1px solid black; padding: 5px; width: fit-content;"> <p>Box B, PM12S See Page 5 for Kit contents</p> </div>	+	<div style="border: 1px solid black; padding: 5px; width: fit-content;"> <p>Box C Kit SRK 35S See Page 5 for Kit contents</p> </div>	+	<div style="border: 1px solid black; padding: 5px; width: fit-content;"> <p>Box D Kit SRK 36S See Page 5 for Kit contents</p> </div>	Page 50 - 58		

Kit Identifier

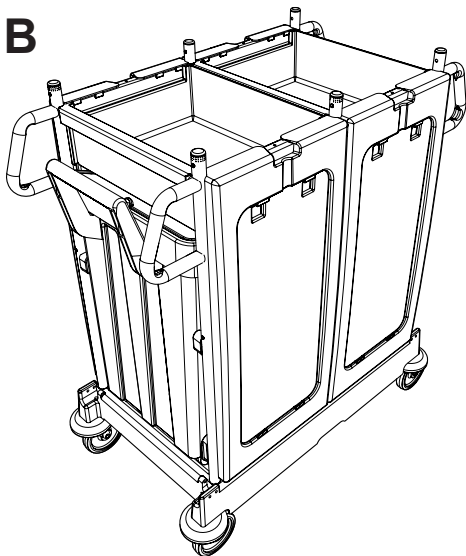
A = PM 10S.

A



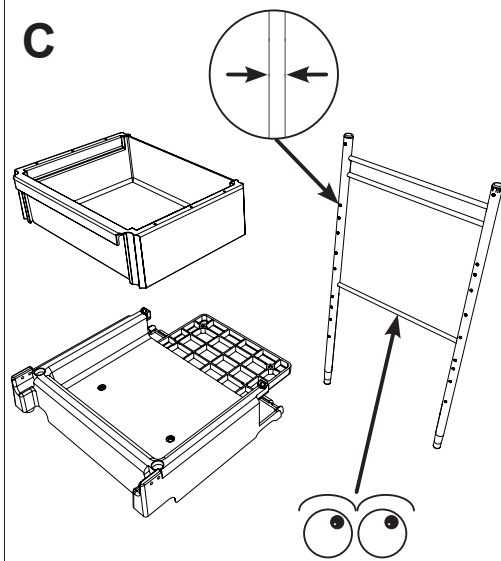
B = PM 12S.

B



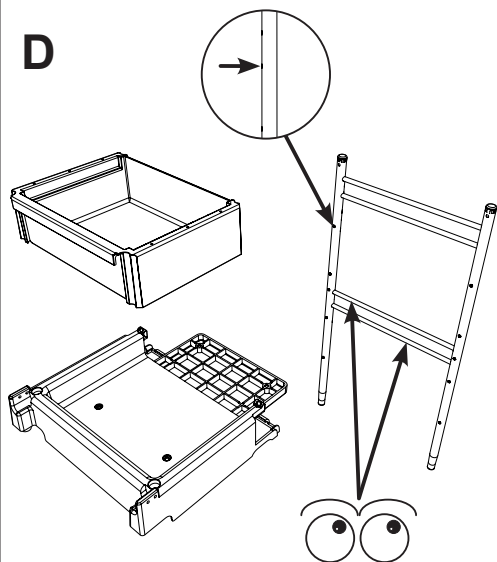
C = Rear Base Extension Kit SRK 35S

C



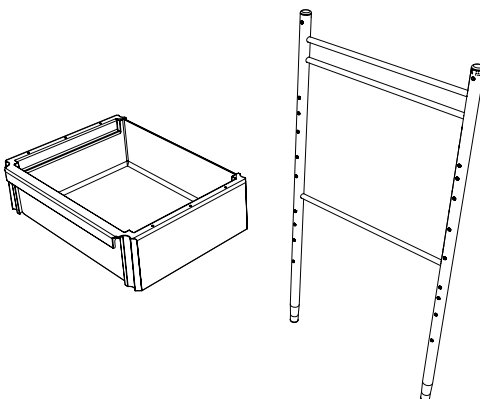
D = Front Storage Kit SRK 36S

D



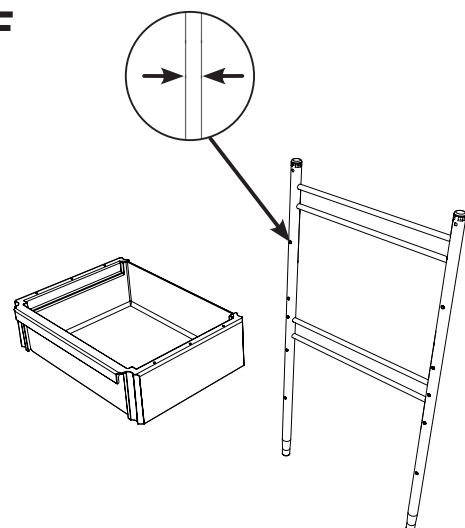
E = Front Storage Kit SRK 42S

E



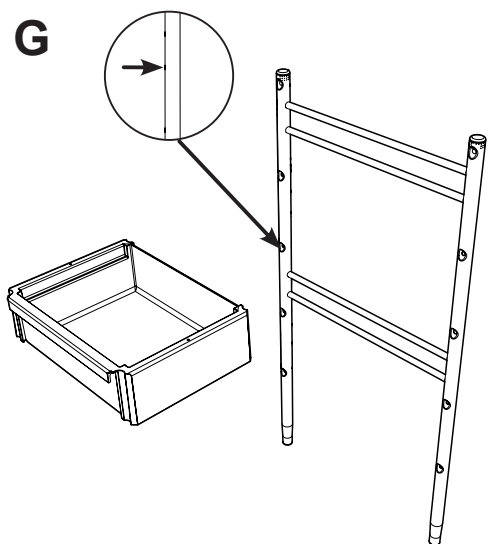
F = Front Storage Kit SRK 43S

F



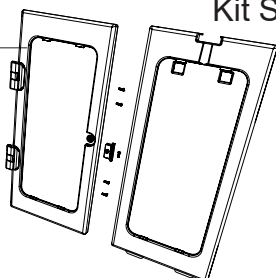
G = Front Storage Kit SRK 44S

G

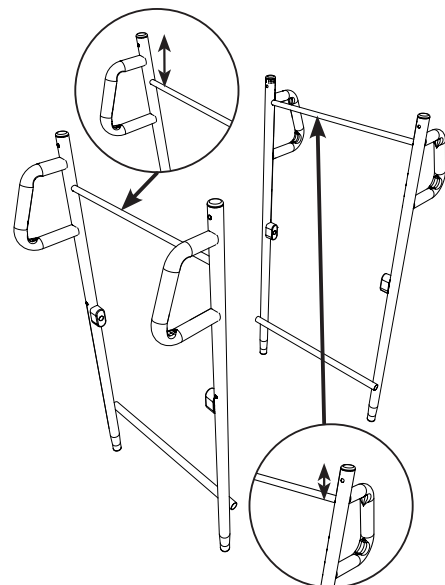


H = Pro-Matic Door Kit SRK 30

H

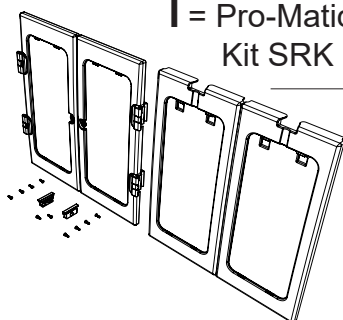


Low Bar / High Bar Handles

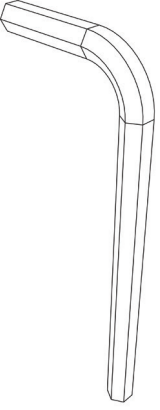
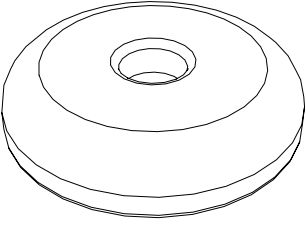
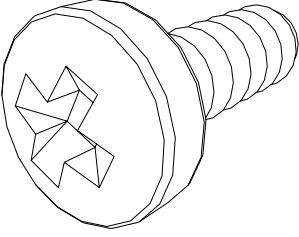
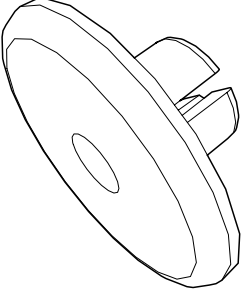
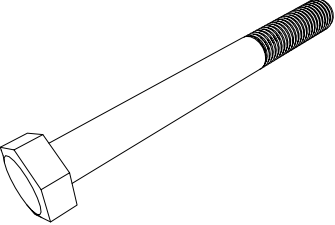
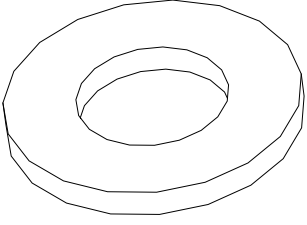
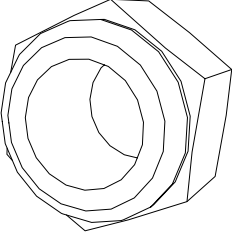
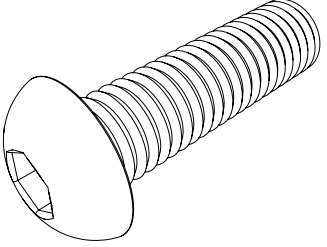
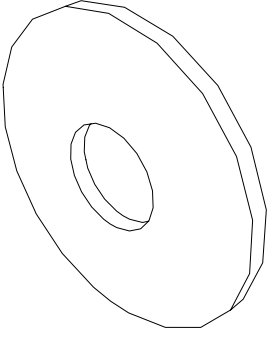
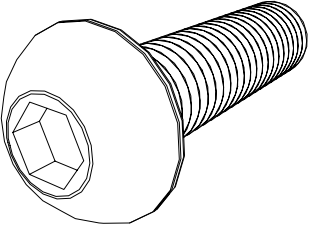
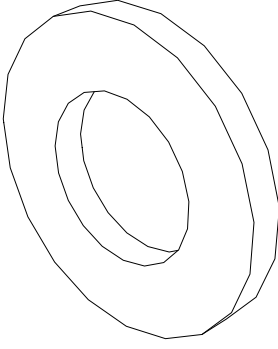
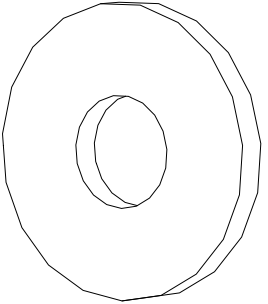
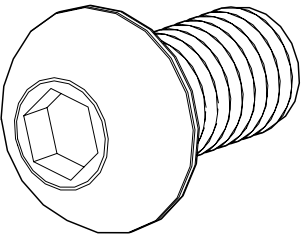
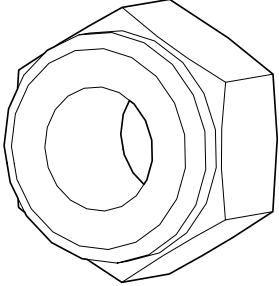
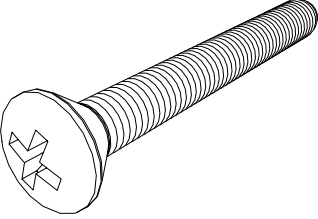
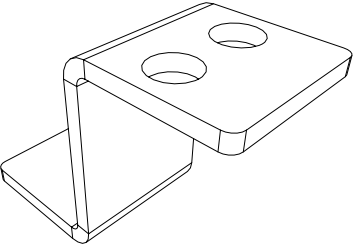


I = Pro-Matic Door Kit SRK 31

I

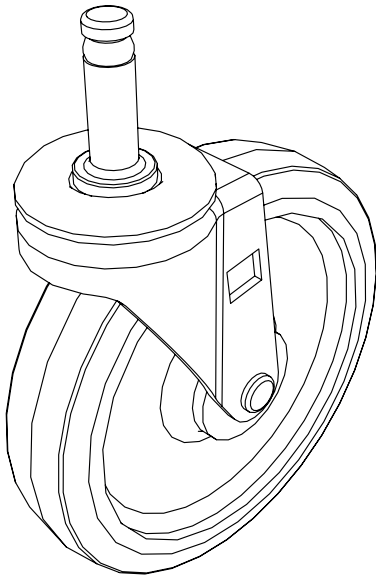


Pro-Matic Parts

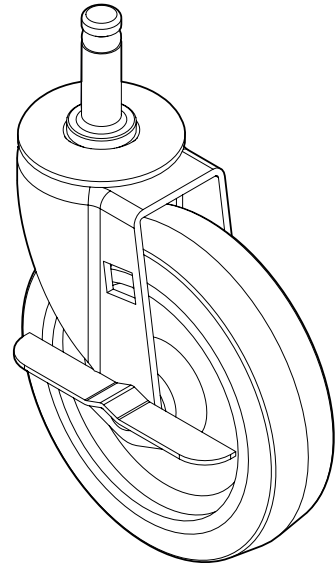
219554 x 1	227479	219851 No12 x 3/4 Inch	223548 Buffer Plug
			
291123 M8x75 Hex Head	219578 M8 Form A	291070 M8 Nylon Insert	291067 M8 X 25
			
291068 M8	909100 M10x40	219903 M10 Form A	291118 M6 Form G
			
909243 M10x20	219897 M10 Nylon Insert	219825 No8x1 1/2 Inch	911225 Bracket
			

Pro-Matic Wheels & Castors

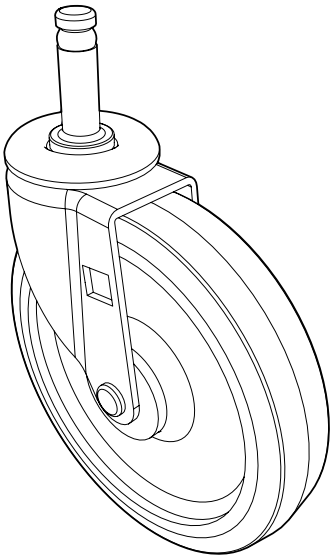
204062 - 100mm Castor x 1



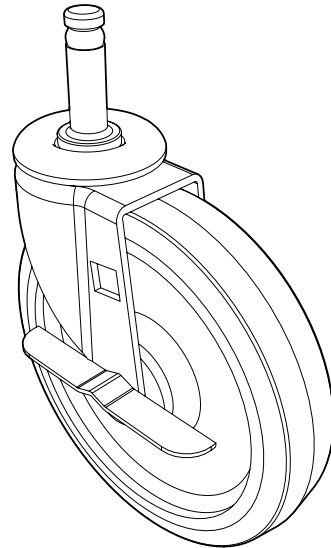
204074 - 100mm Braked Castor x 1



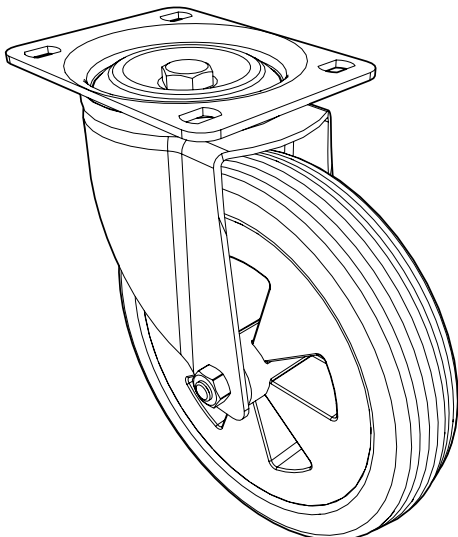
204113 - 125mm Castor x 1



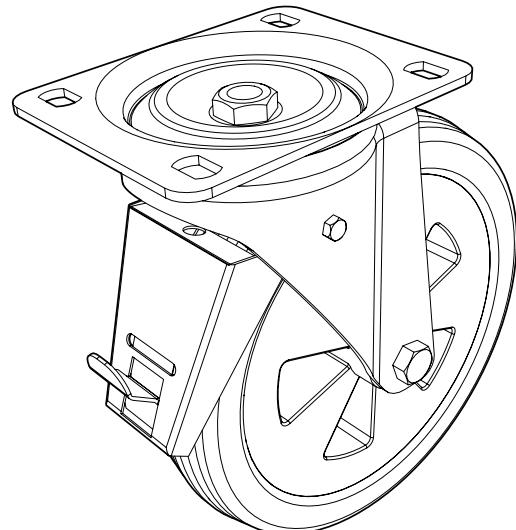
204114 - 125mm Braked Castor x 1



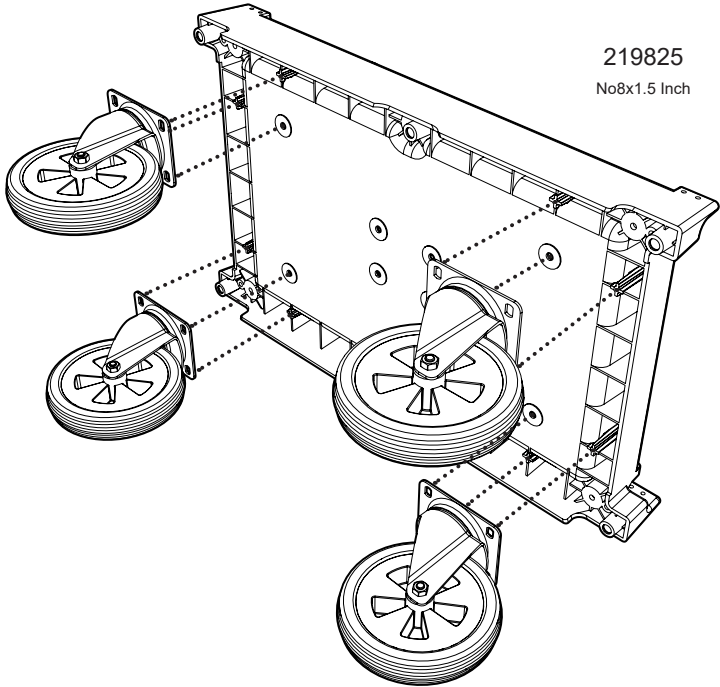
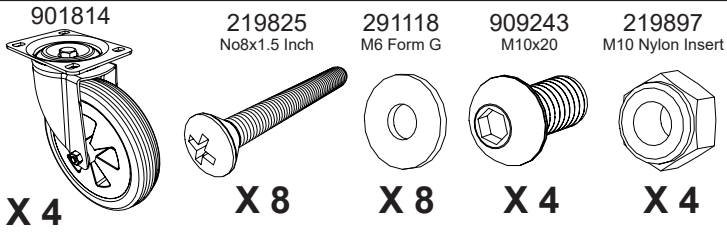
901814 - 200mm AT Castor x 1



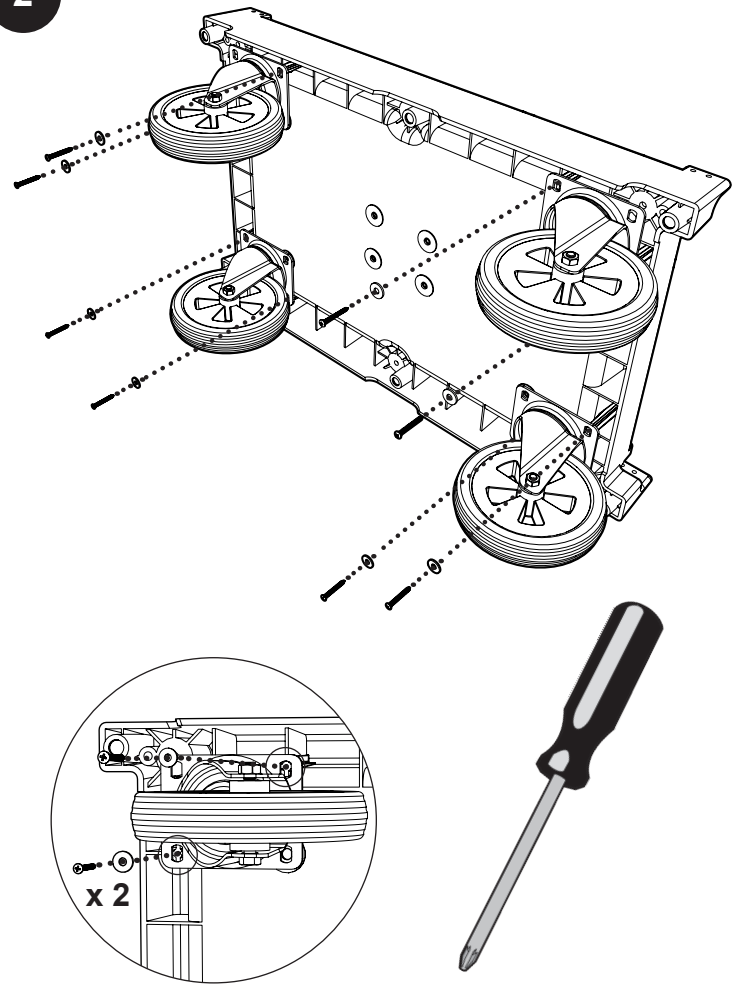
907110 - 200mm AT Braked Castor x 1



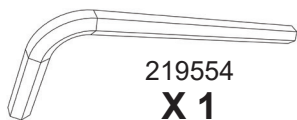
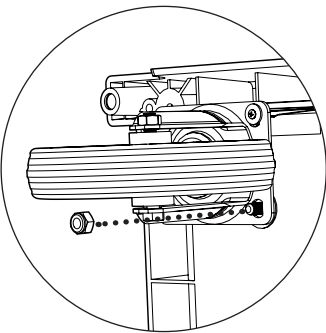
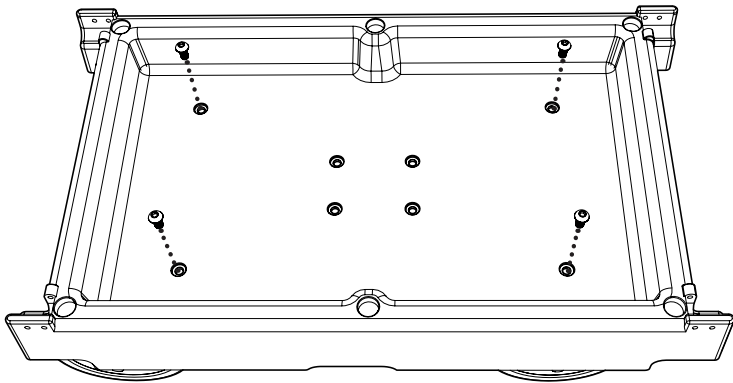
1 Wheel Fitting PM 10S AT (All Terrain)



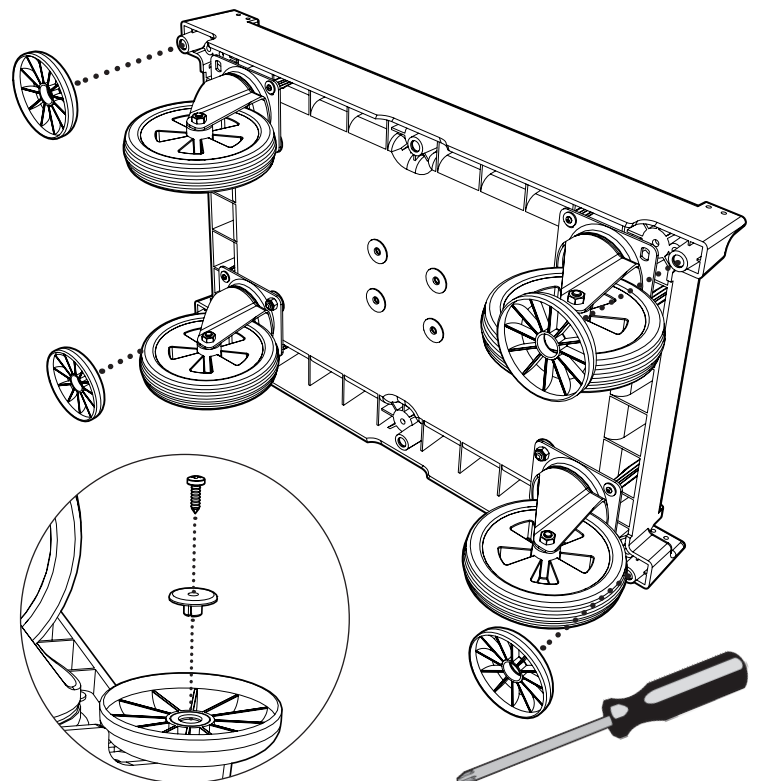
2



3

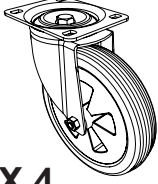


4



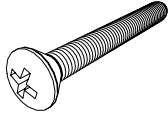
1 Wheel Fitting PM 20S AT (All Terrain)

901814



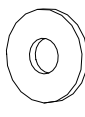
X 4

219825
No8x1.5 Inch



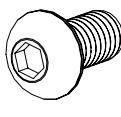
X 8

291118
M6 Form G



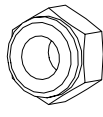
X 8

909243
M10x20

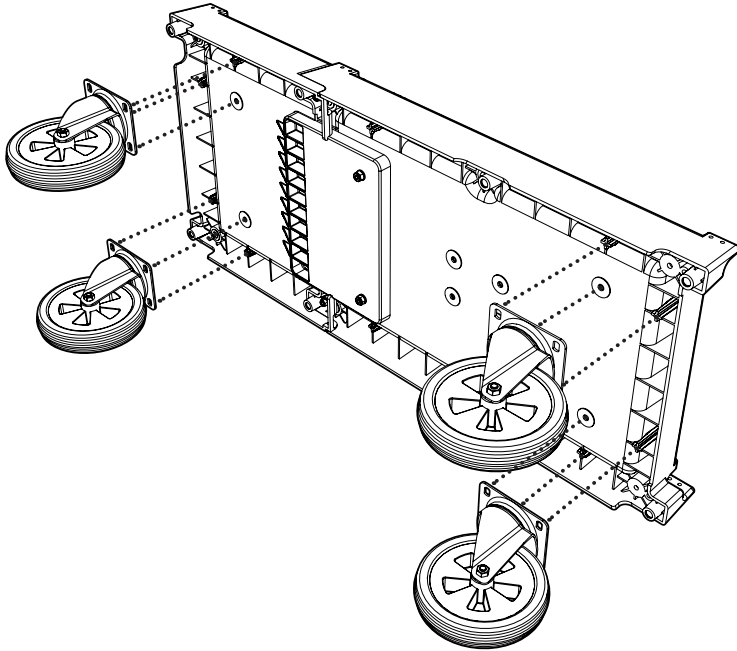


X 4

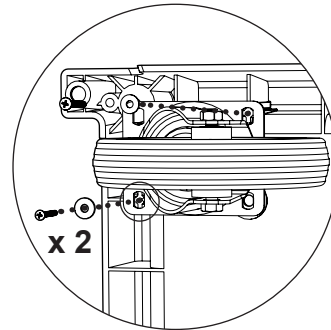
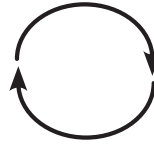
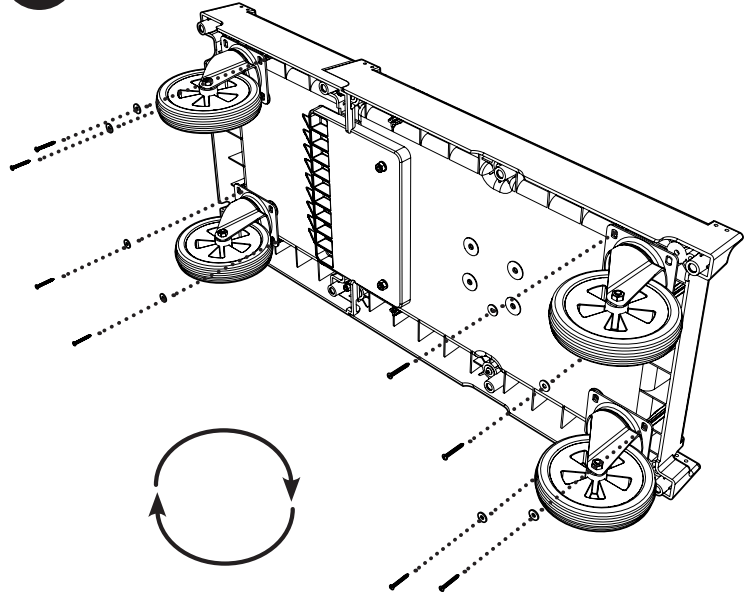
219897
M10 Nylon Insert



X 4

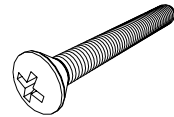


2



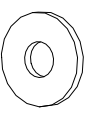
x 2

219825
No8x1.5 Inch



X 8

291118
M6 Form G

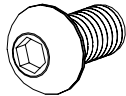


X 8

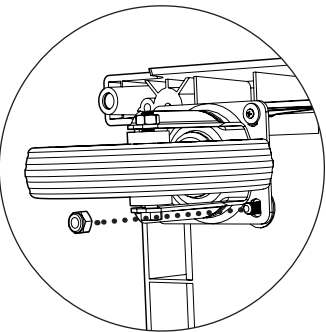
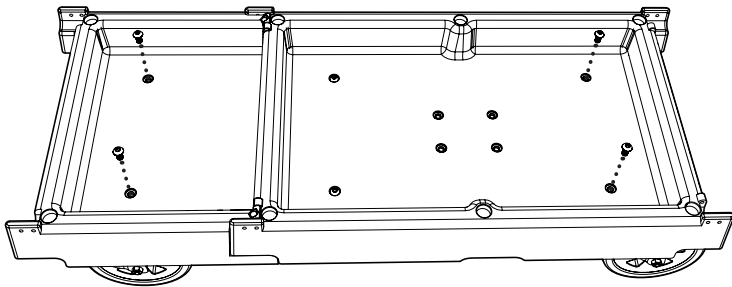


3

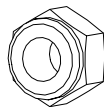
909243
M10x20



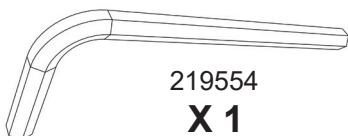
X 4



219897
M10 Nylon Insert

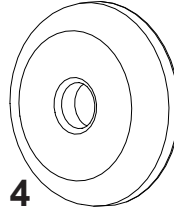


219554
X 1



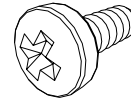
4

227479



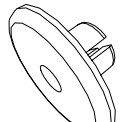
X 4

219851
No12x0.75 Inch

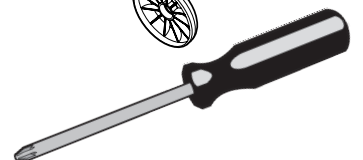
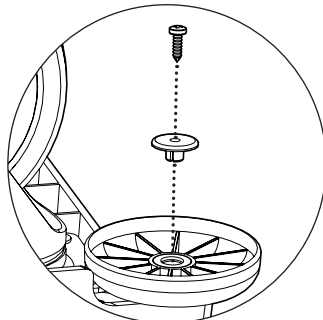
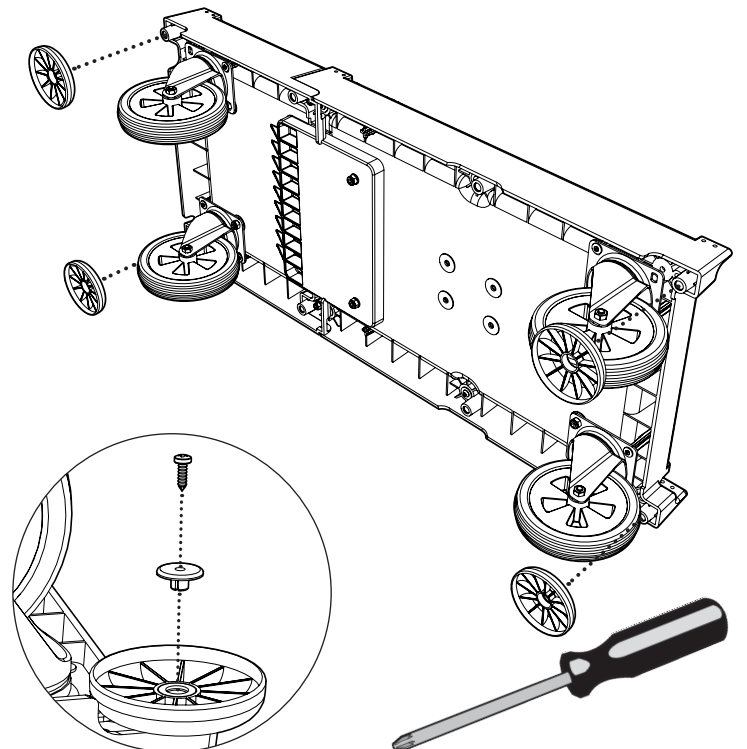


X 4

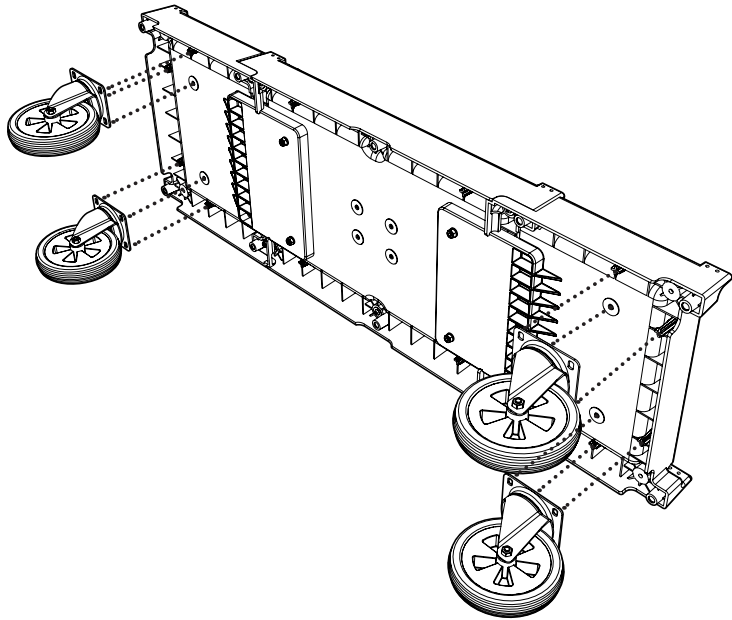
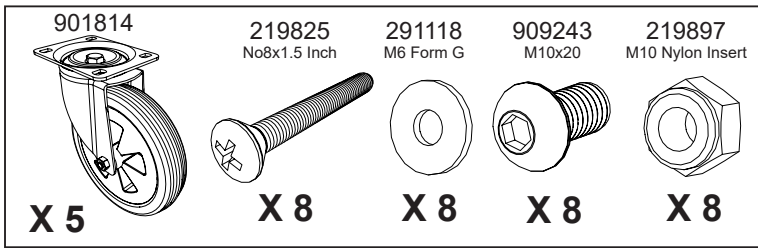
223548
Buffer Plug



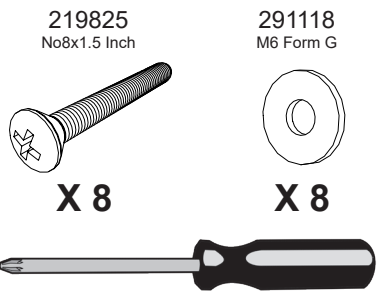
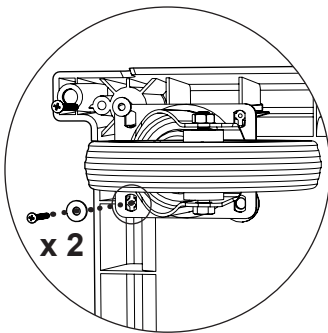
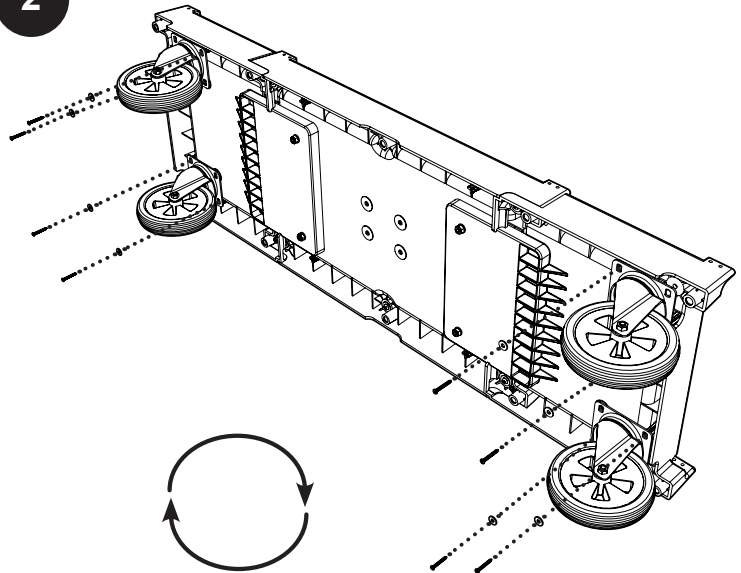
X 4



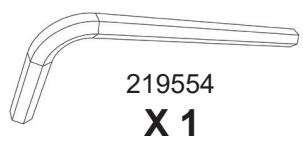
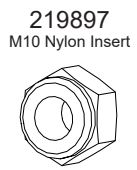
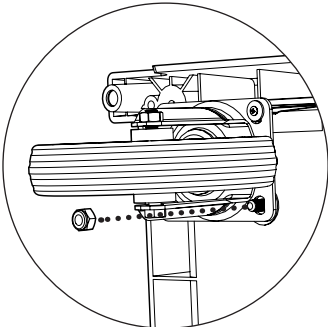
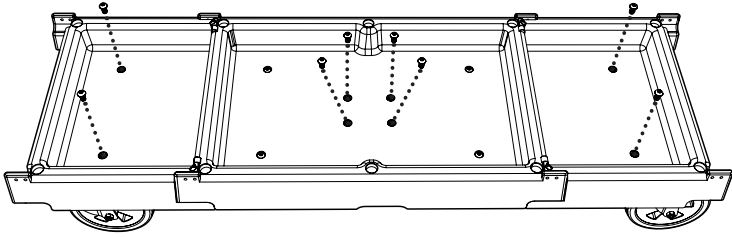
1 Wheel Fitting PM 30S AT (All Terrain)



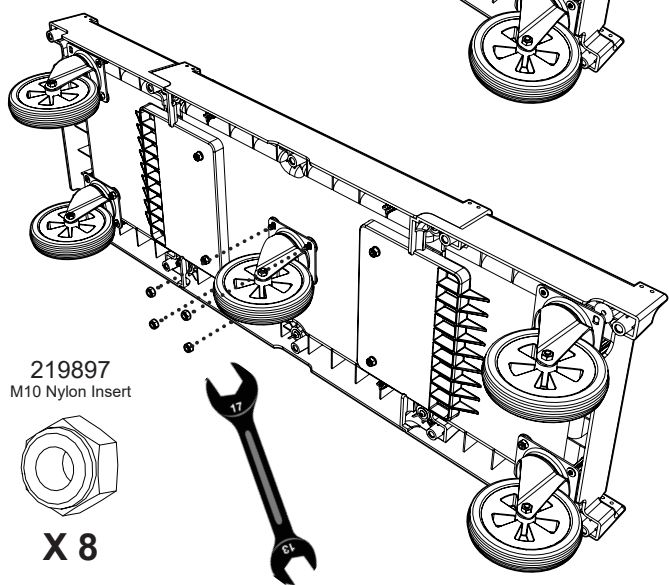
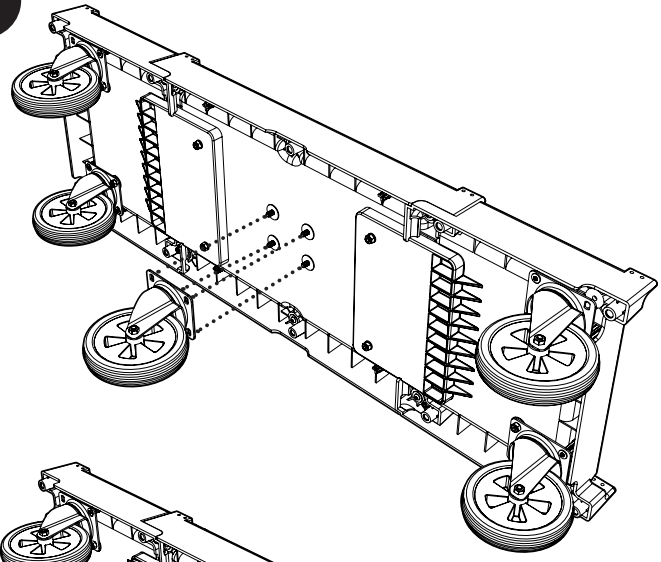
2



3

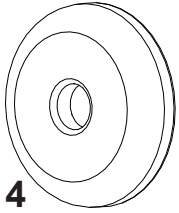


4



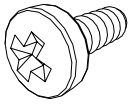
5

227479



X 4

219851
No12x0.75 Inch

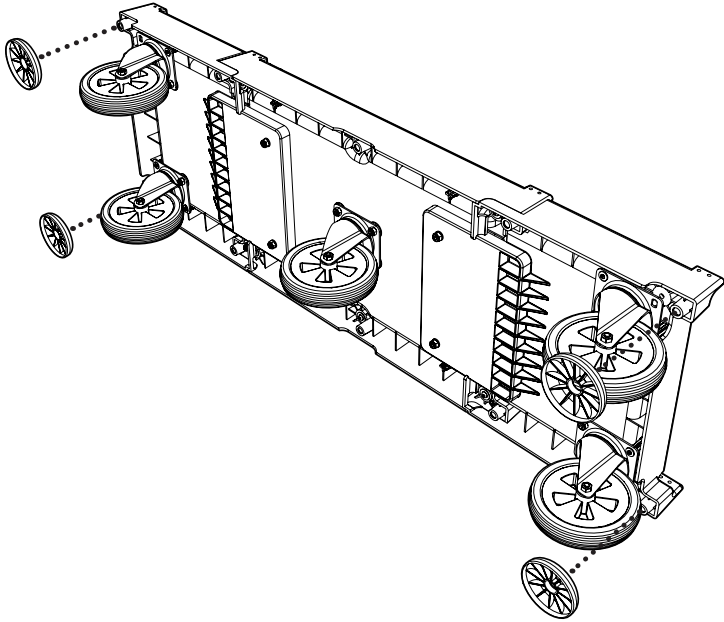


X 4

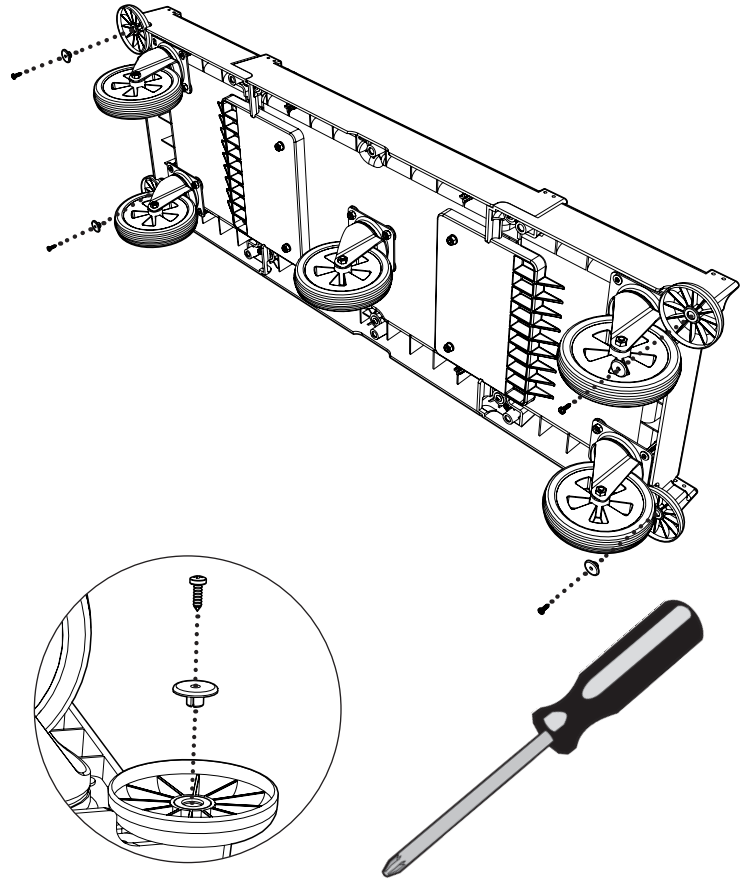
223548
Buffer Plug



X 4

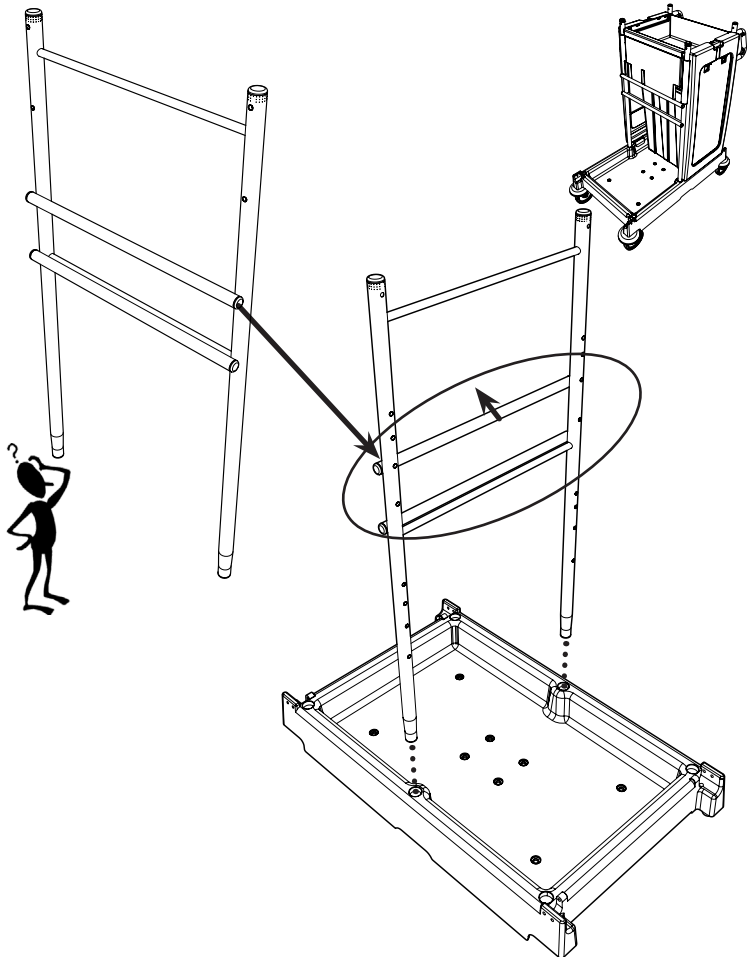


6

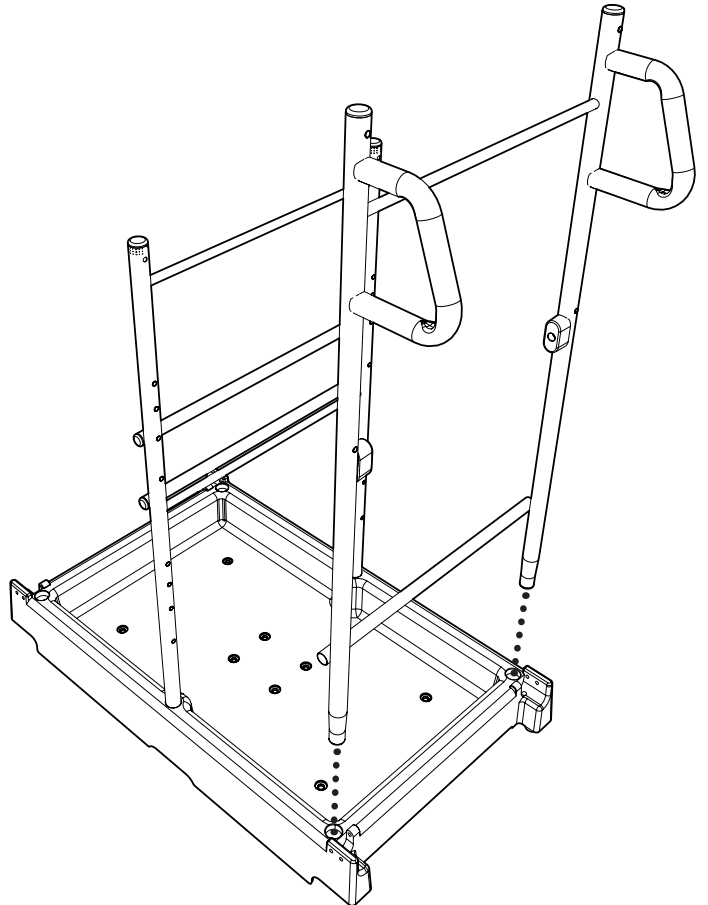


1

PM 10S Kit Box A



2



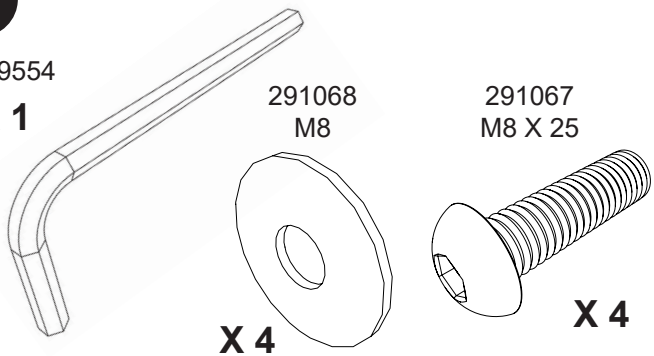
3

219554

X 1

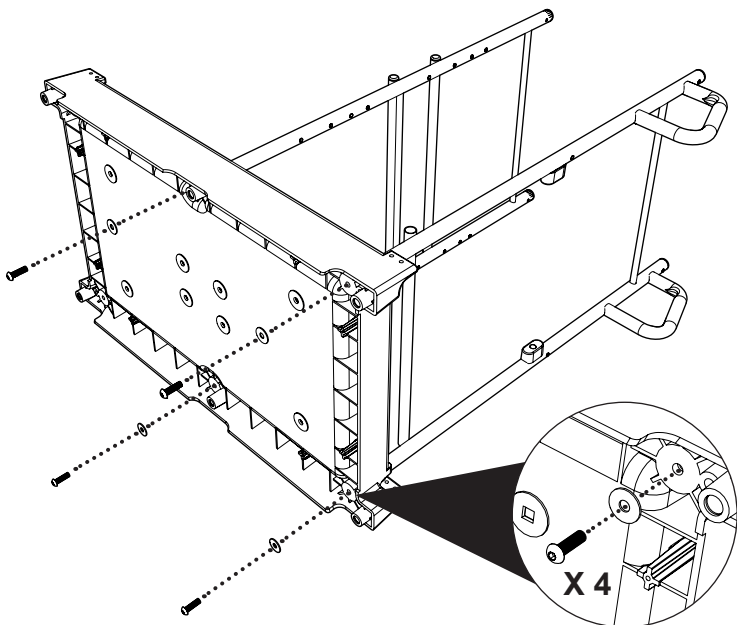
291068
M8

291067
M8 X 25



X 4

X 4

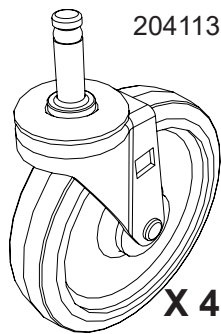


X 4

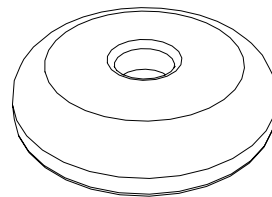
4

204113

227479



X 4



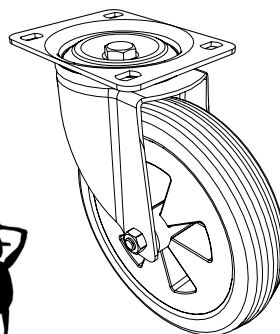
X 4



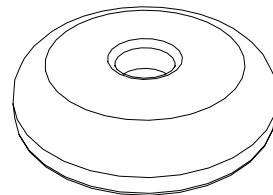
Page - 8-11

901814

227479



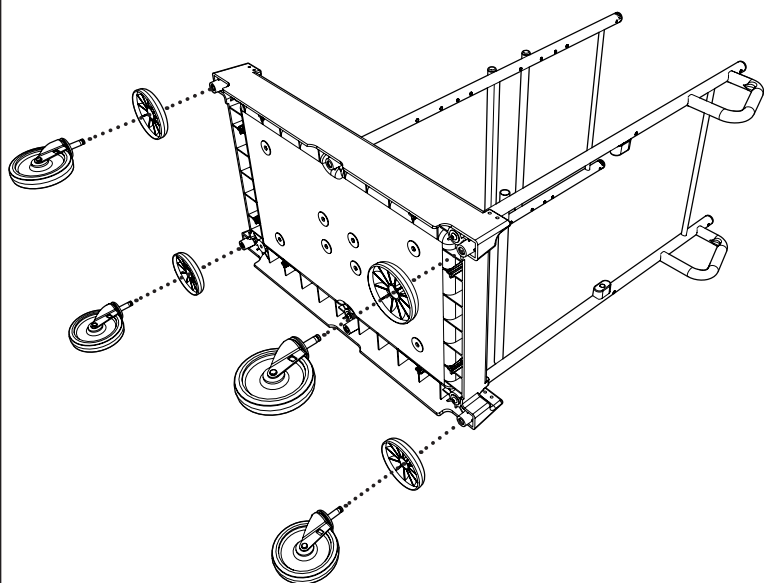
X 4



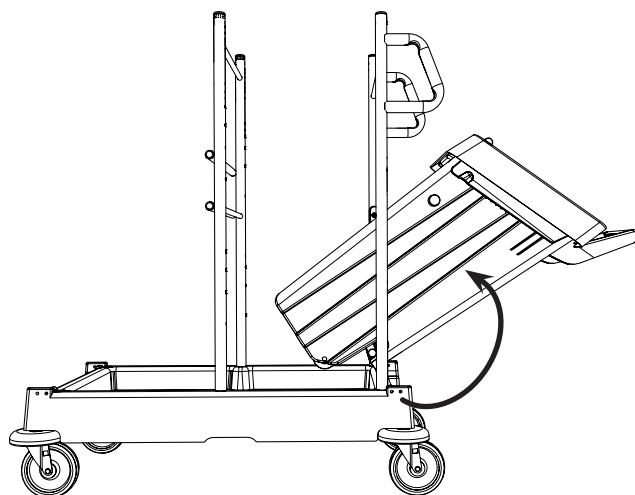
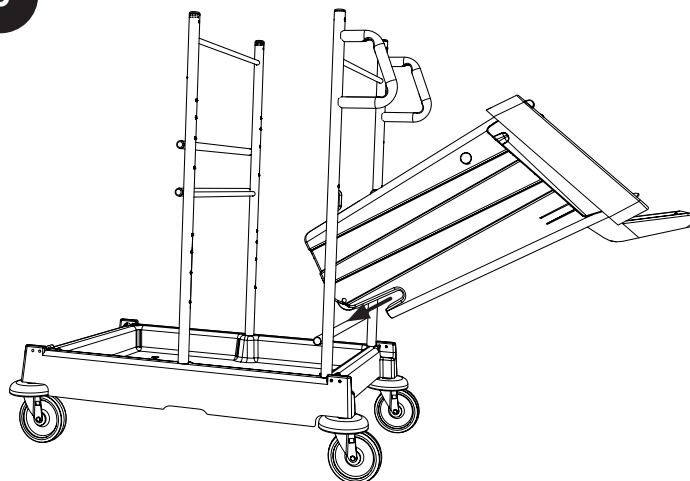
X 4



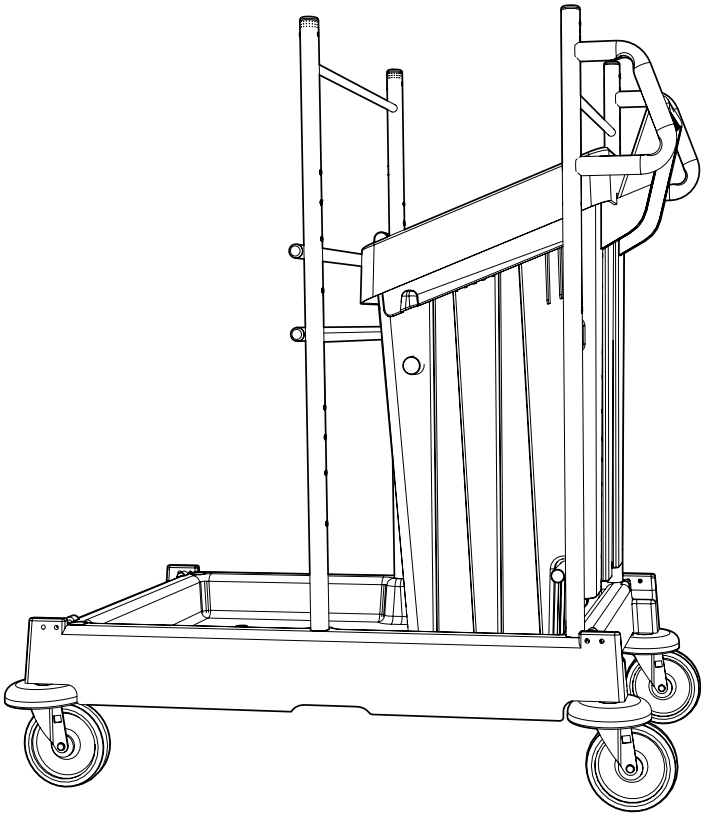
5



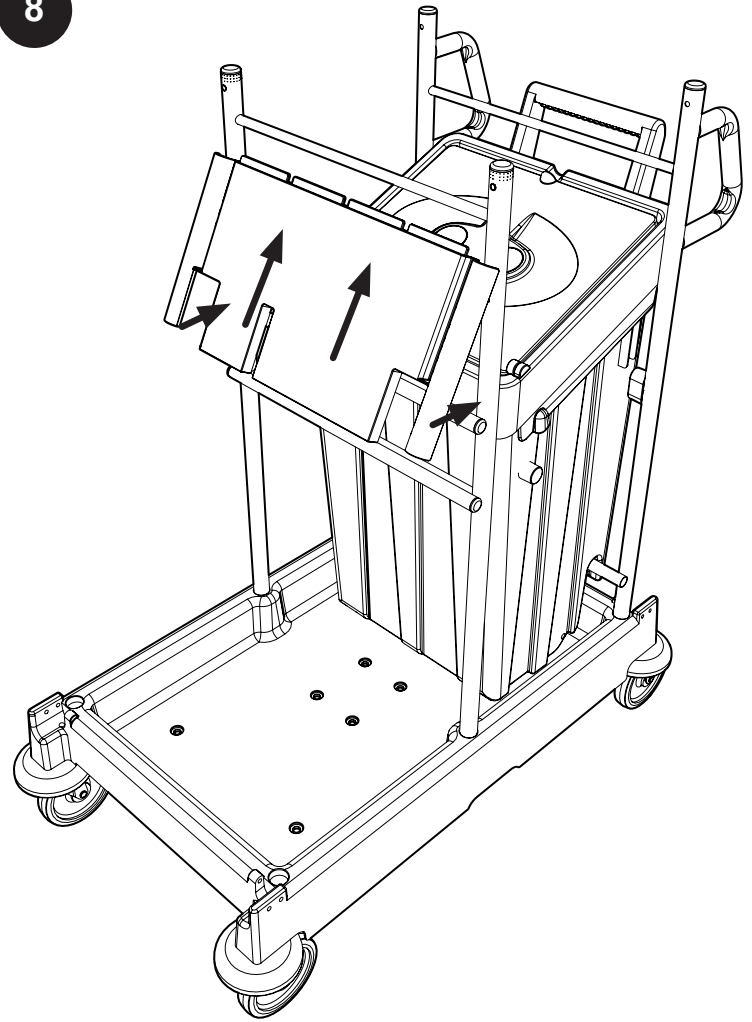
6



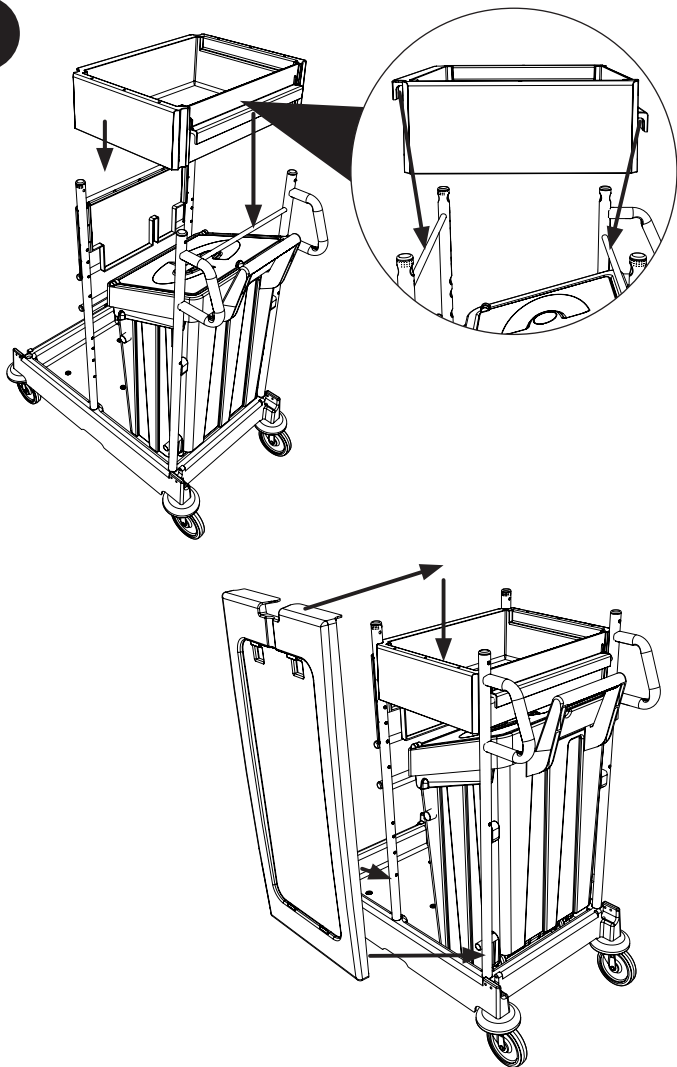
7



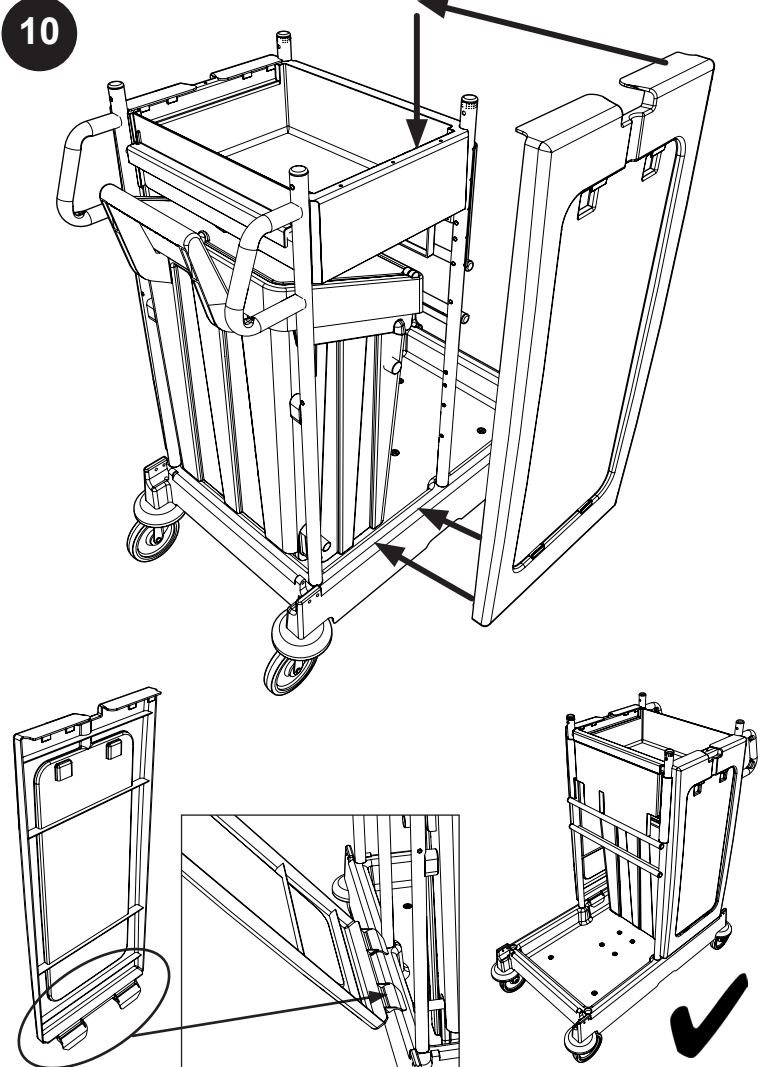
8



9

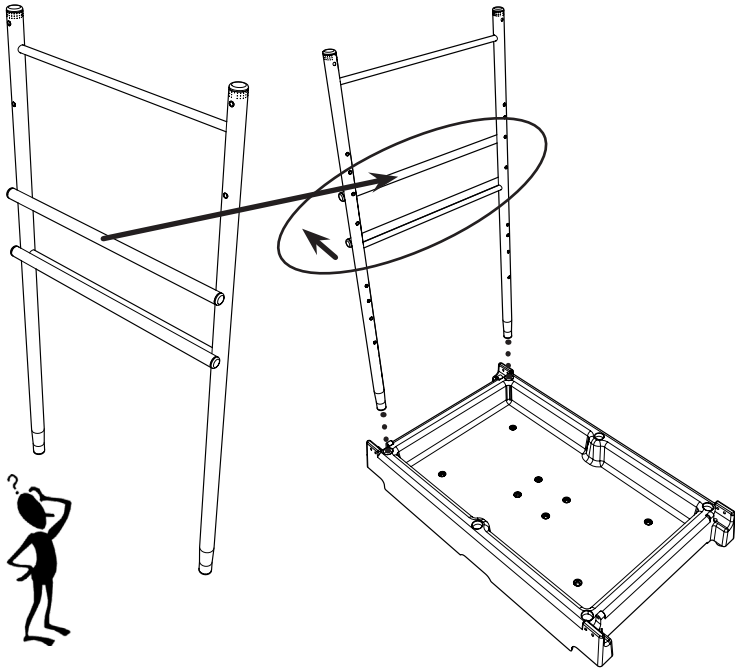


10

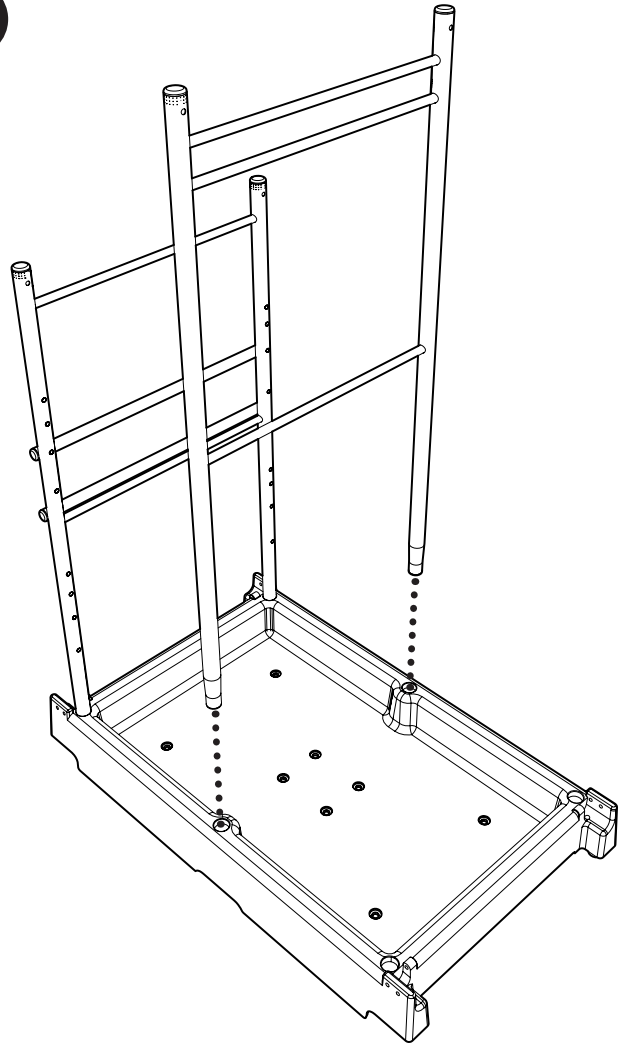


1

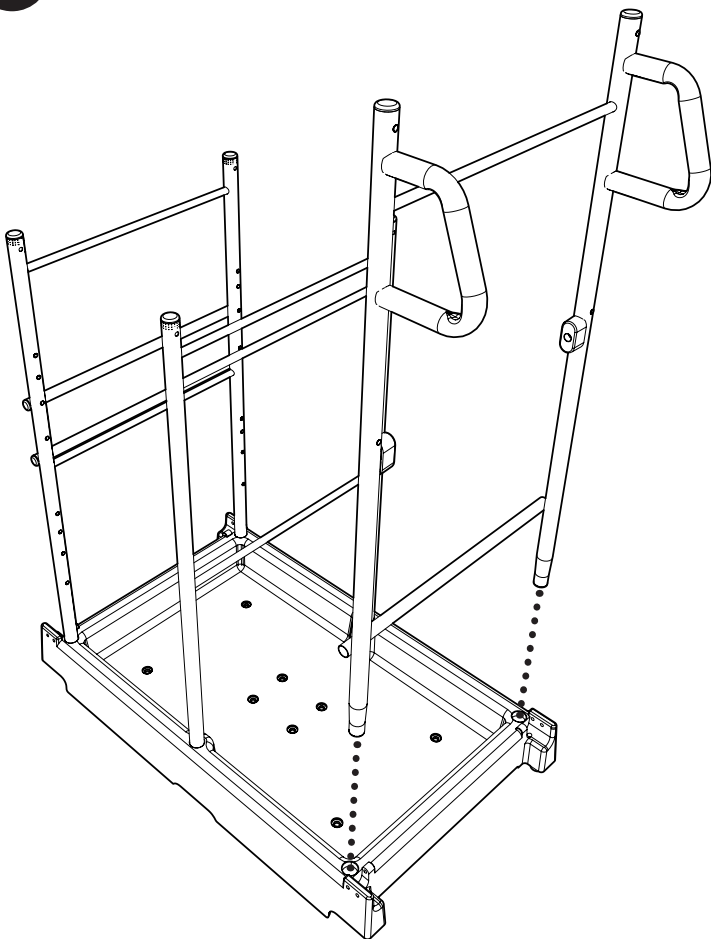
PM 11S Kit Boxes A / E



2



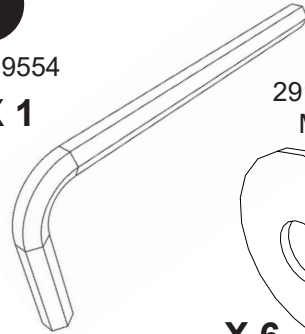
3



4

219554

X 1



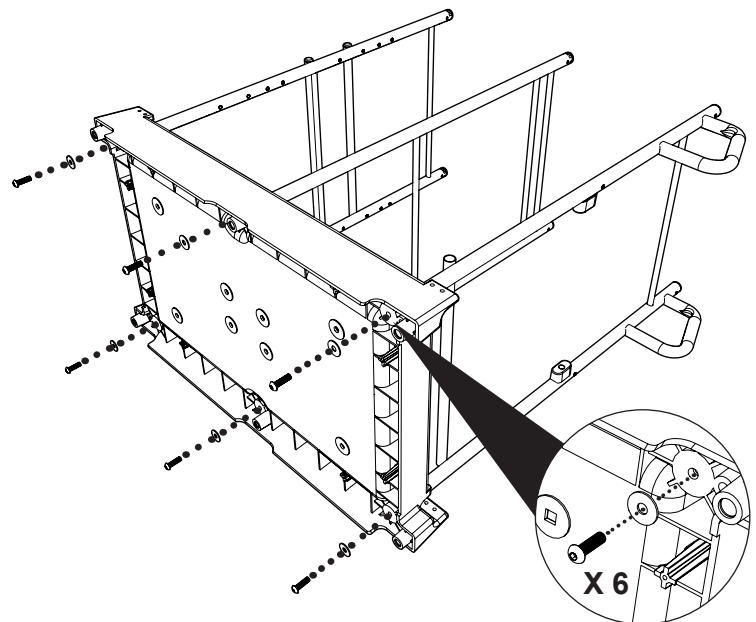
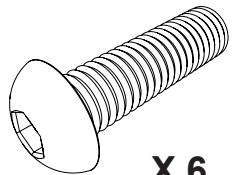
291068
M8

X 6

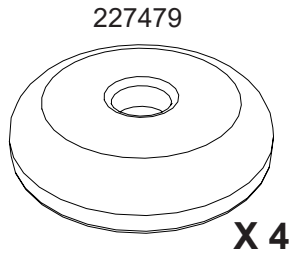
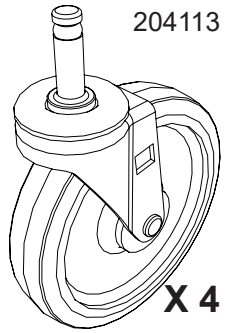


291067
M8 X 25

X 6

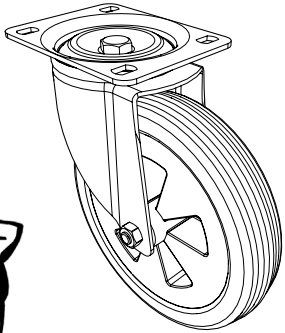


5

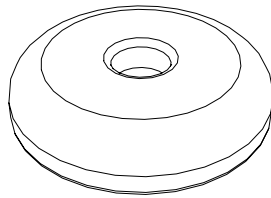


Page - 8-11

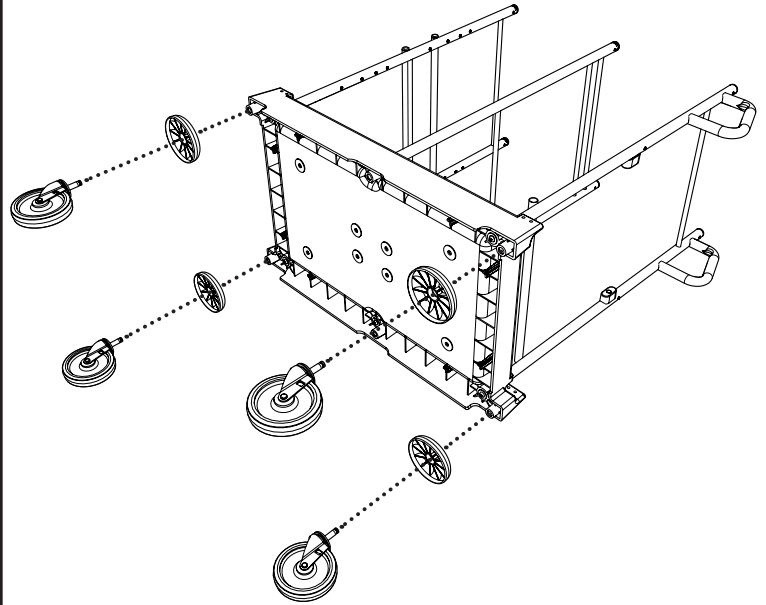
901814



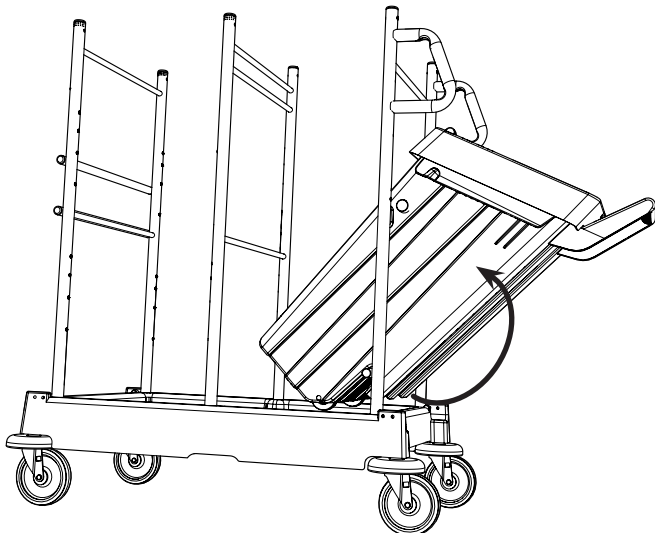
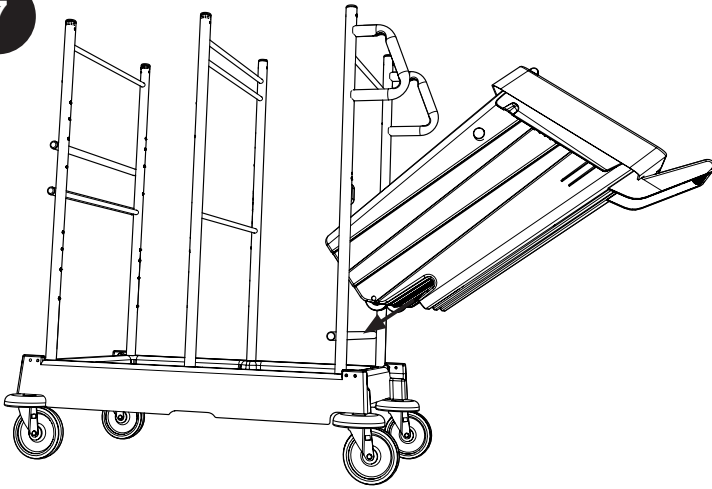
227479



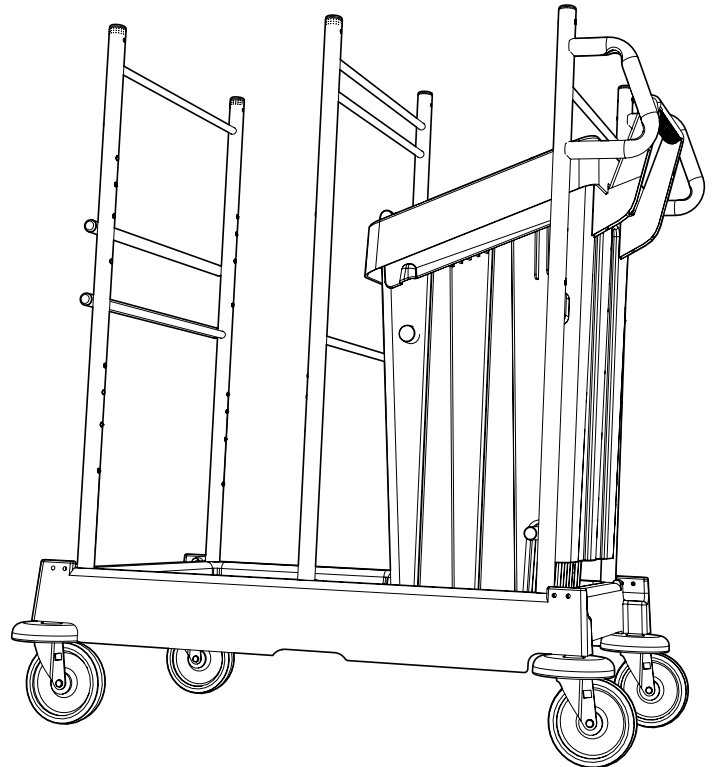
6



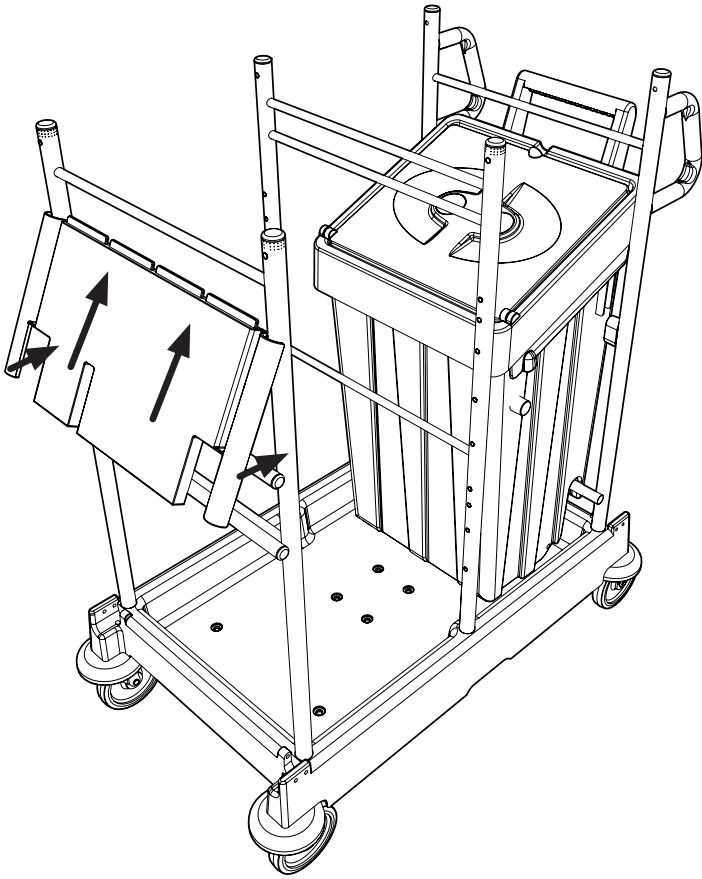
7



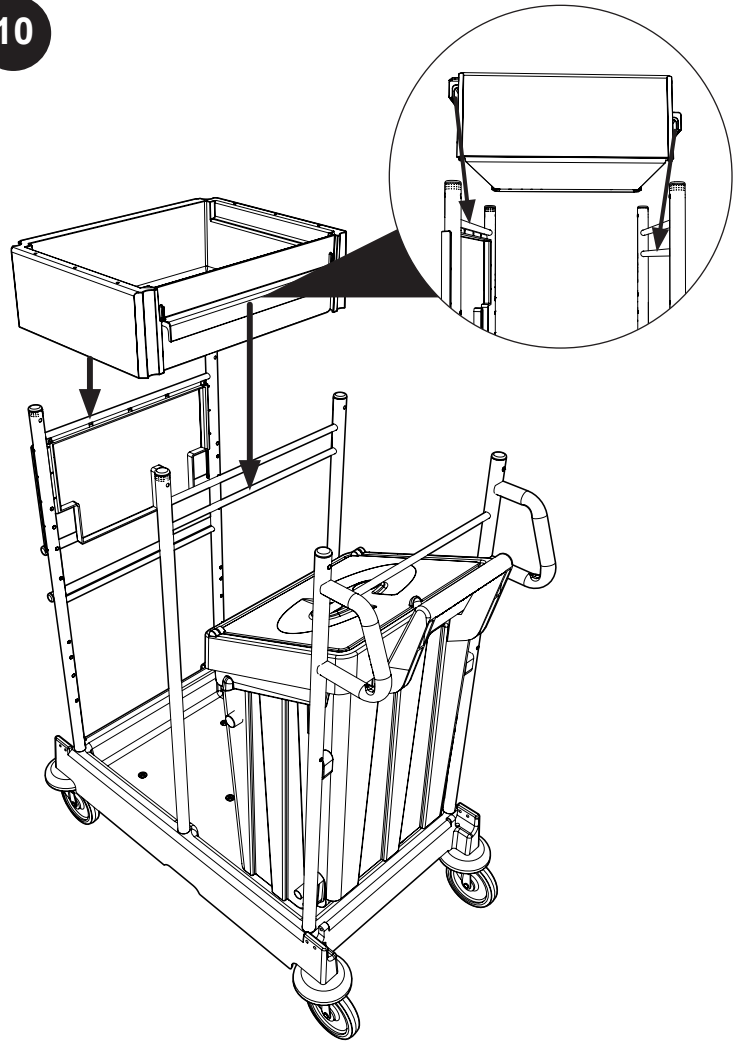
8



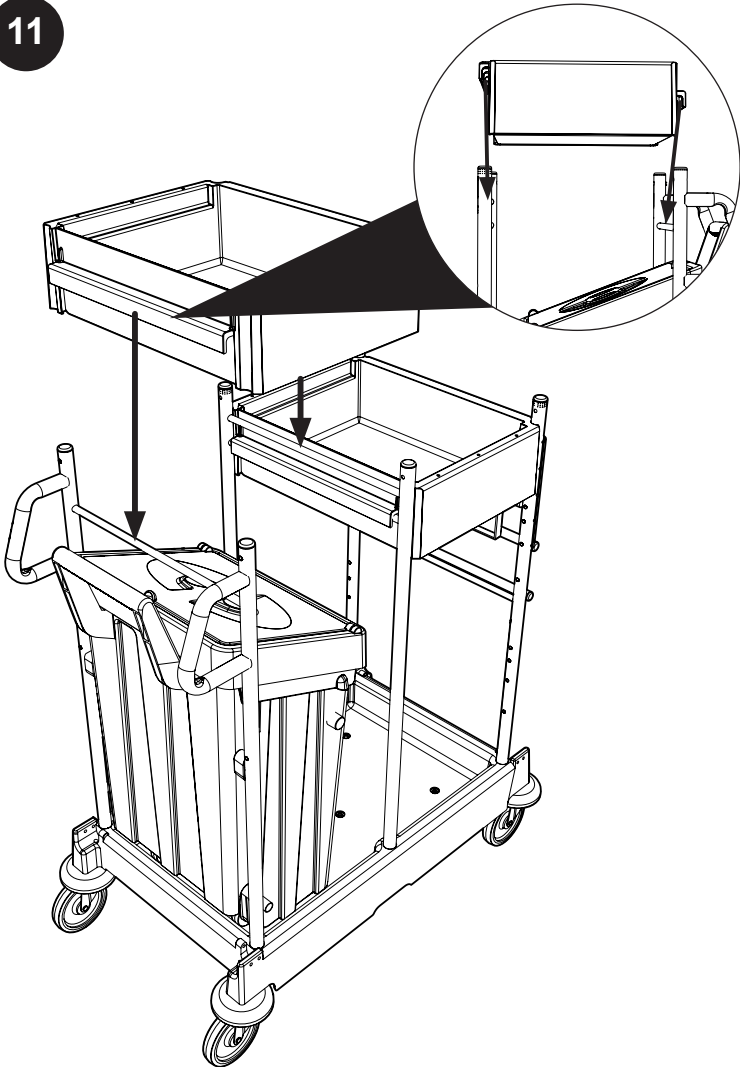
9



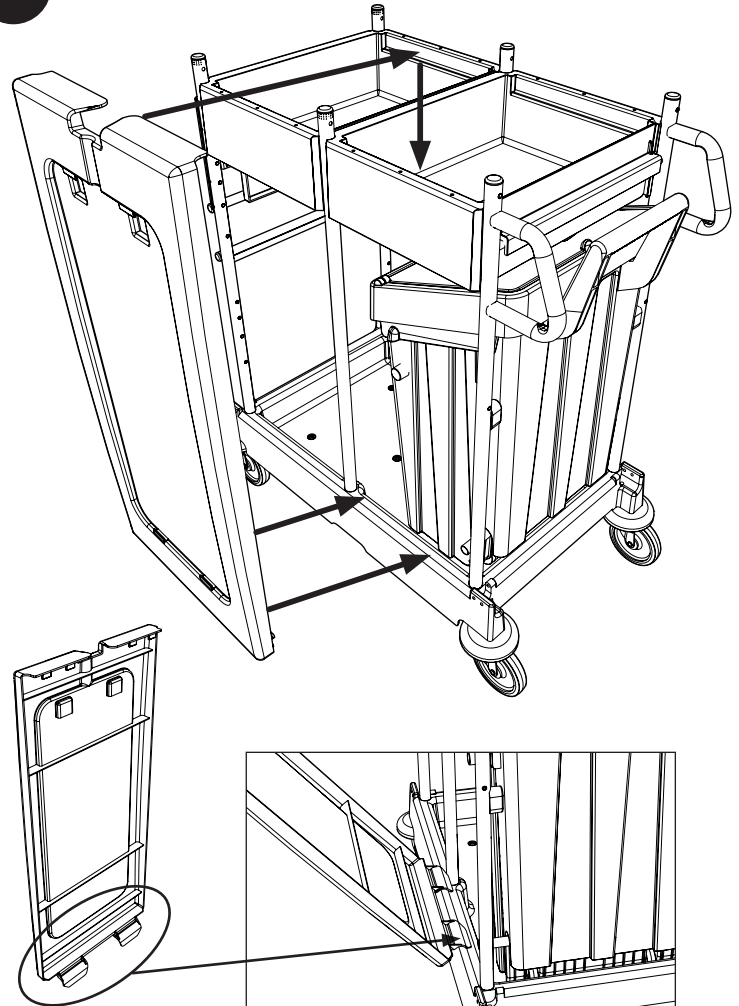
10



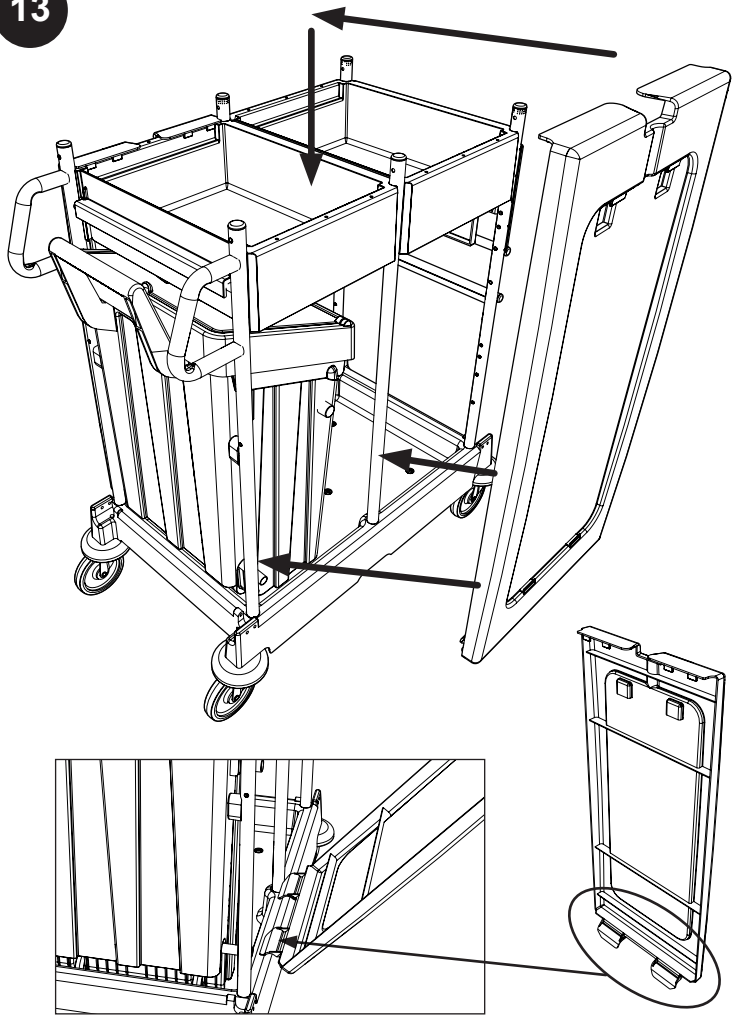
11



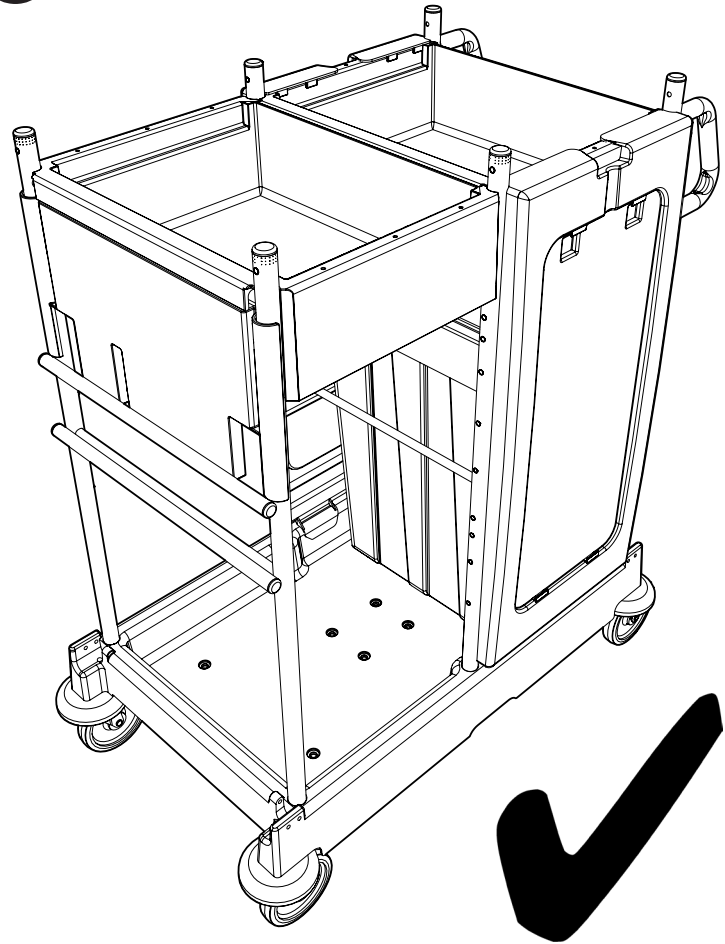
12



13

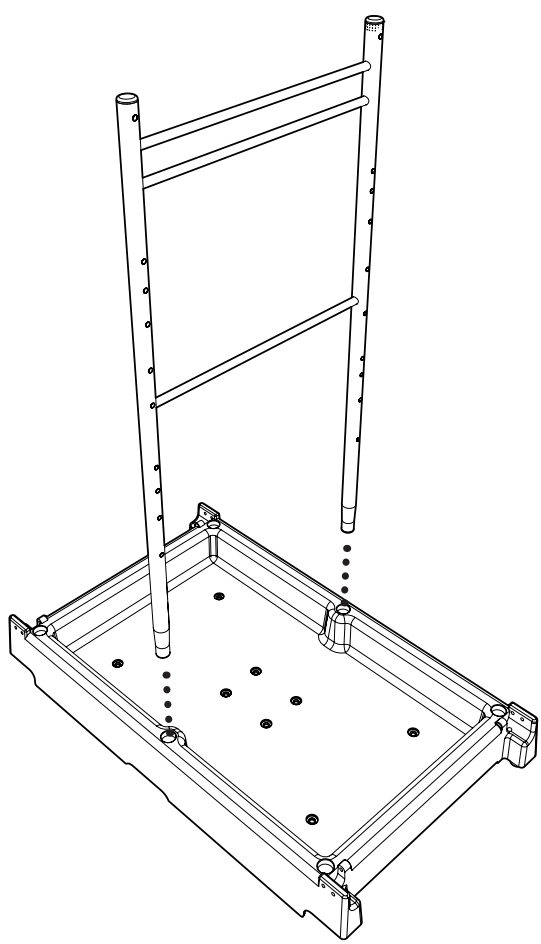


14 PM 11S

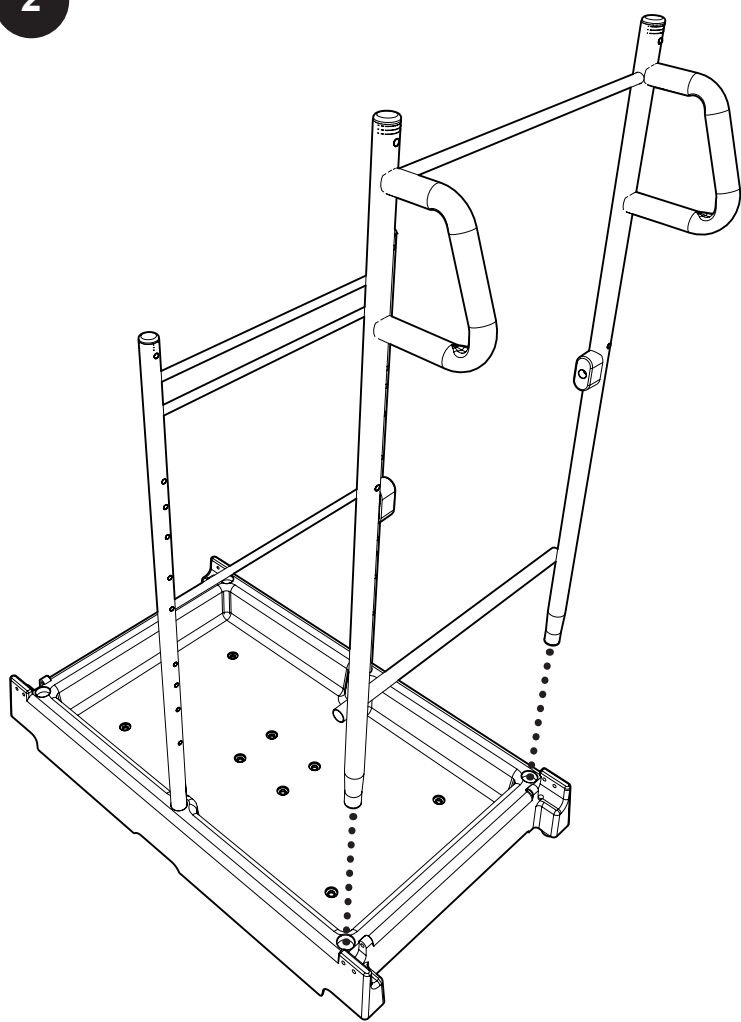


1

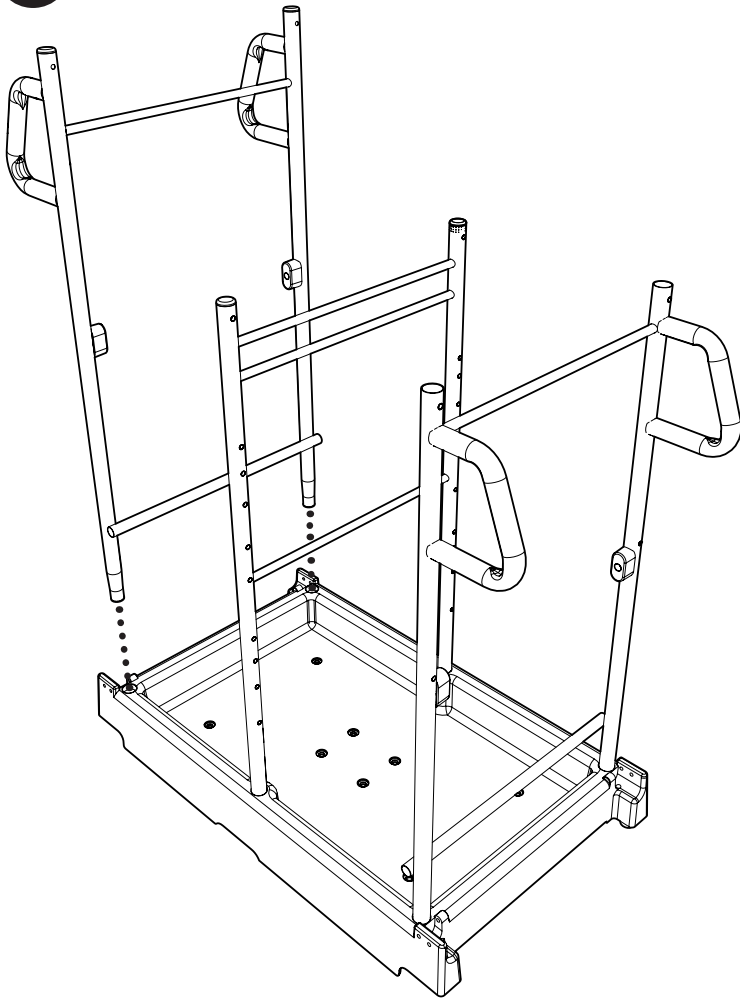
PM 12S Kit Box B



2



3



4

219554

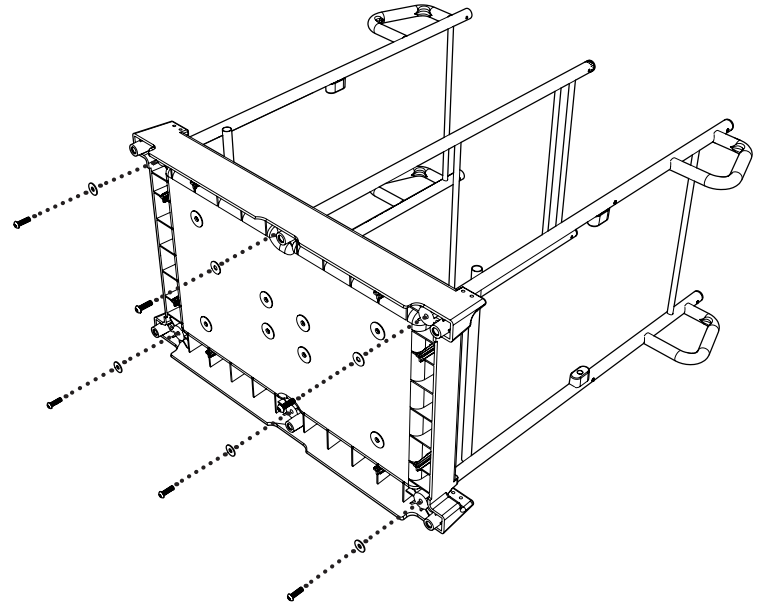
X 1

291068
M8

291067
M8 X 25

X 6

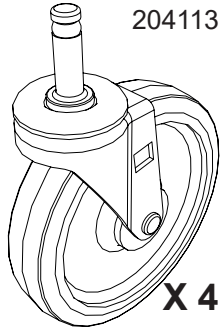
X 6



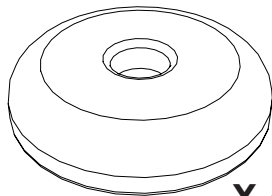
5

204113

227479



X 4



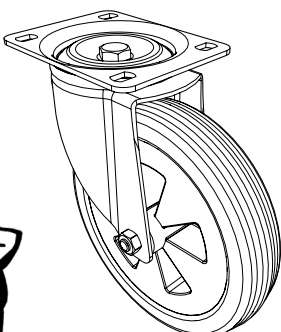
X 4



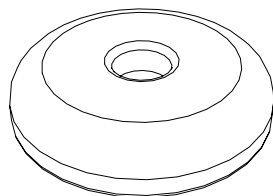
Page - 8-11

901814

227479



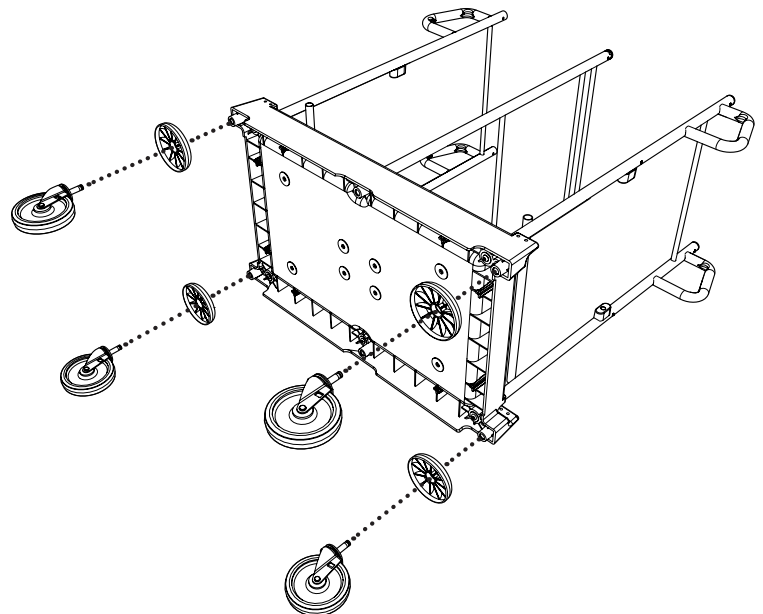
X 4



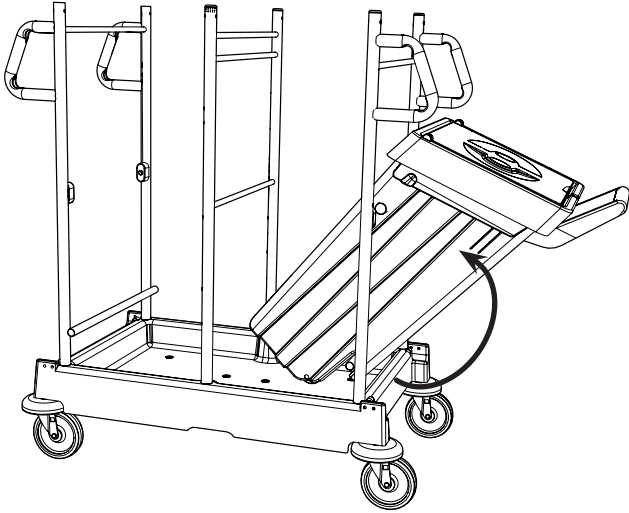
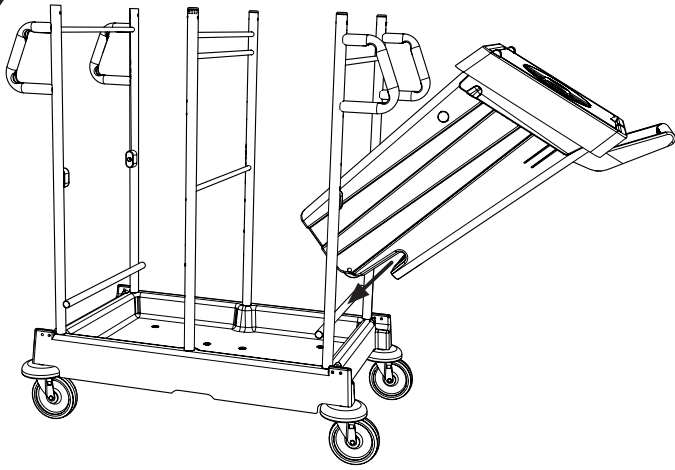
X 4



6



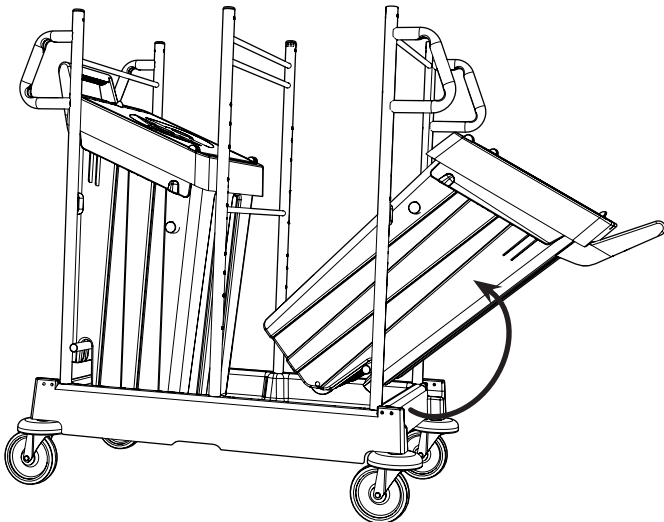
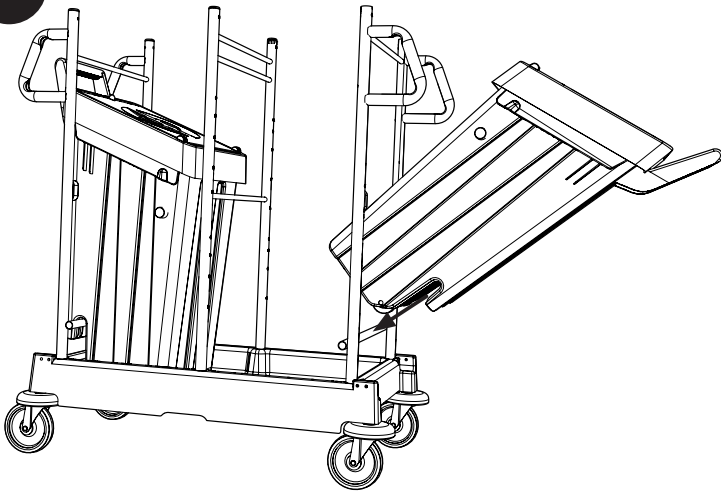
7



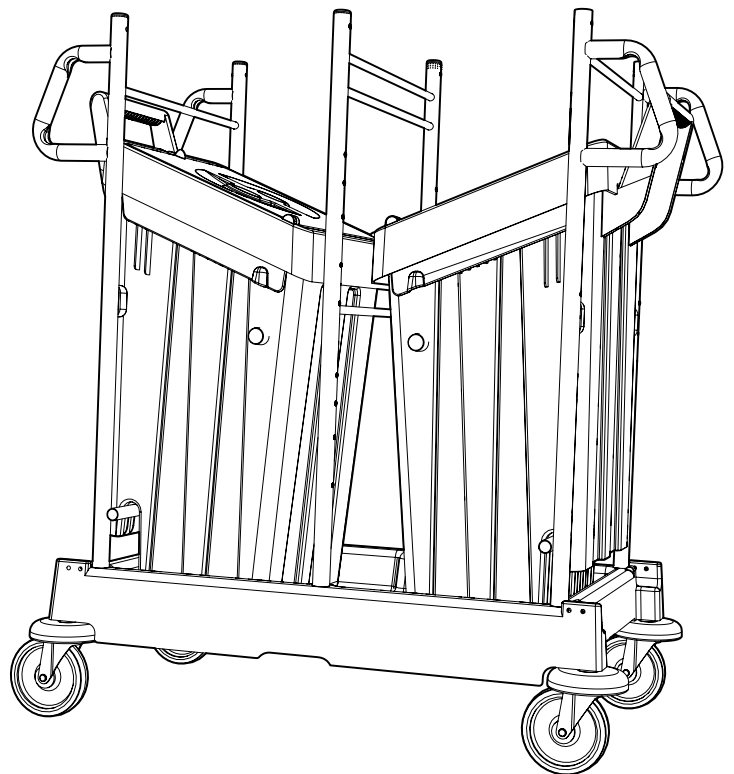
8



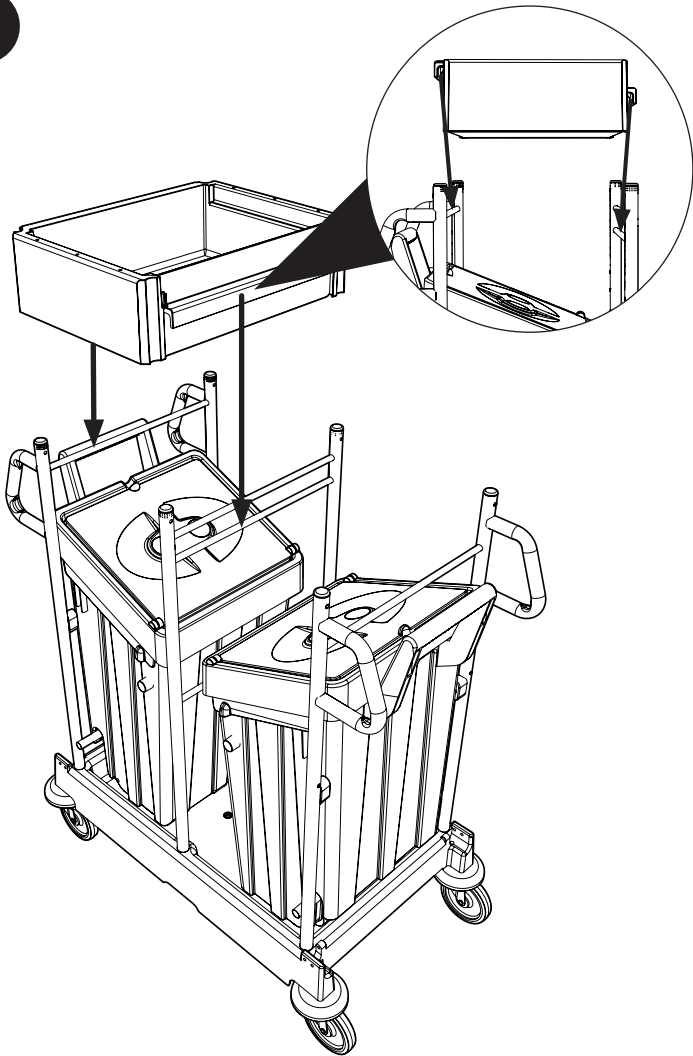
9



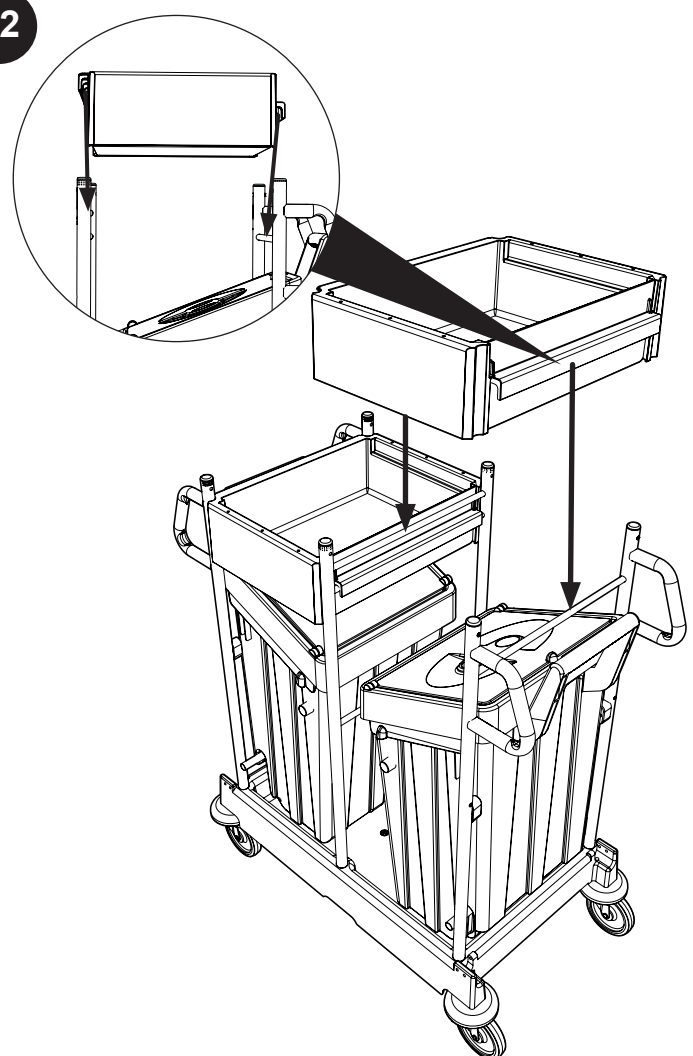
10



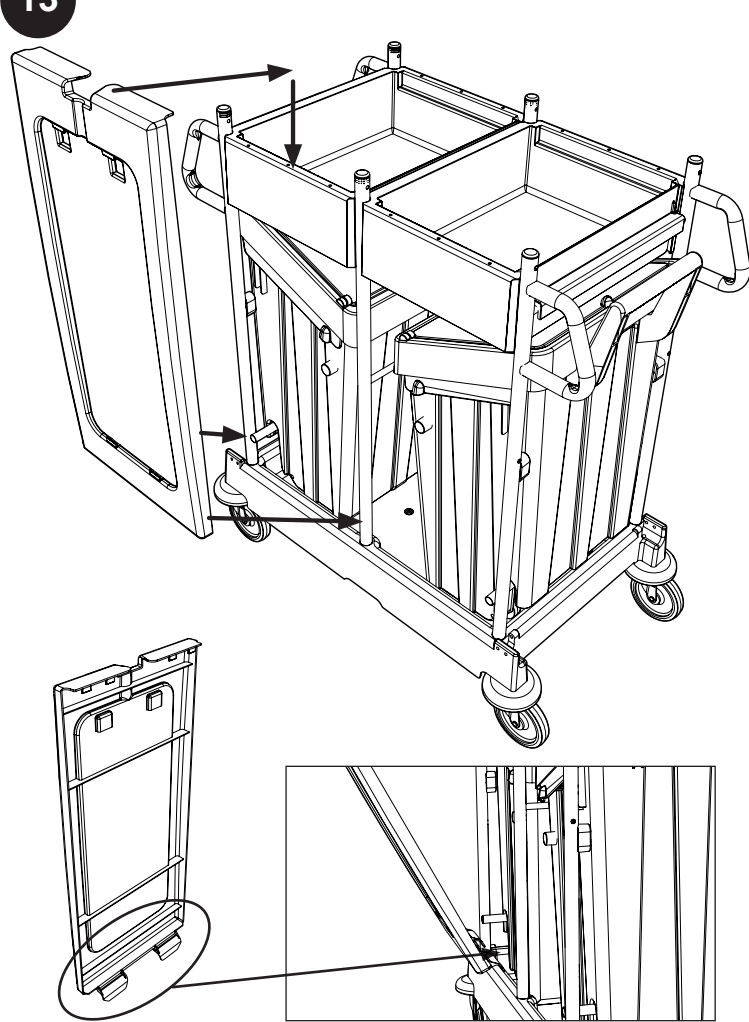
11



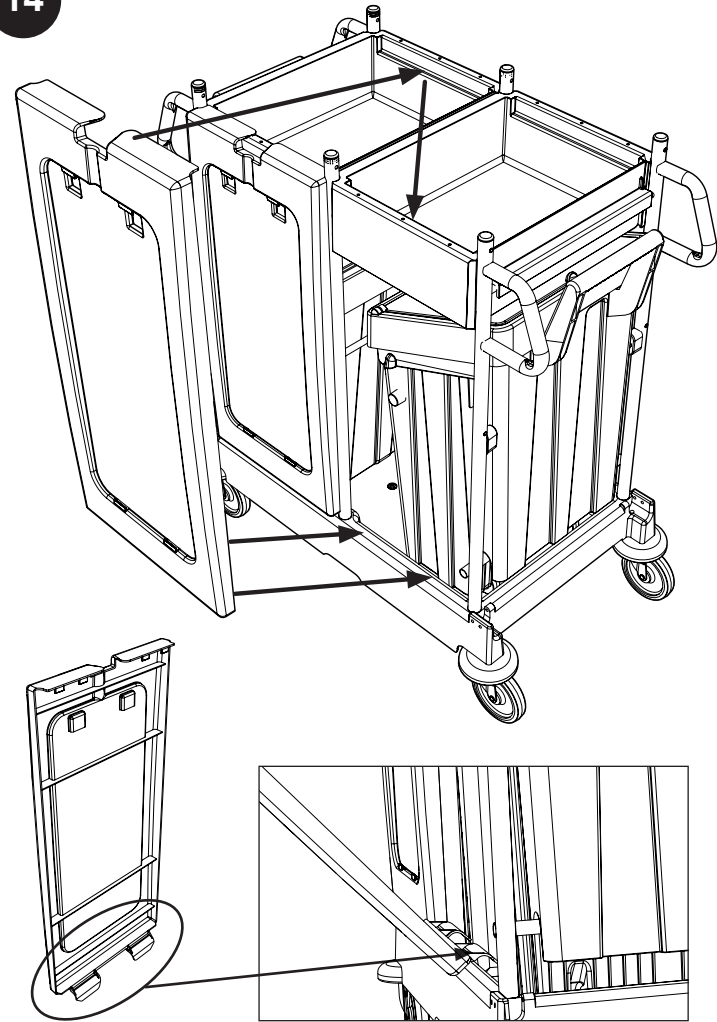
12



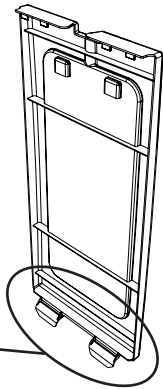
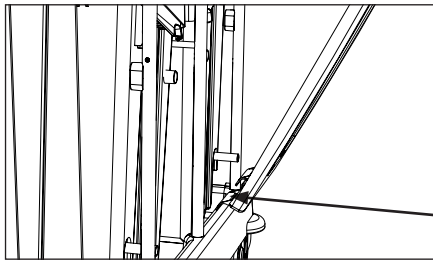
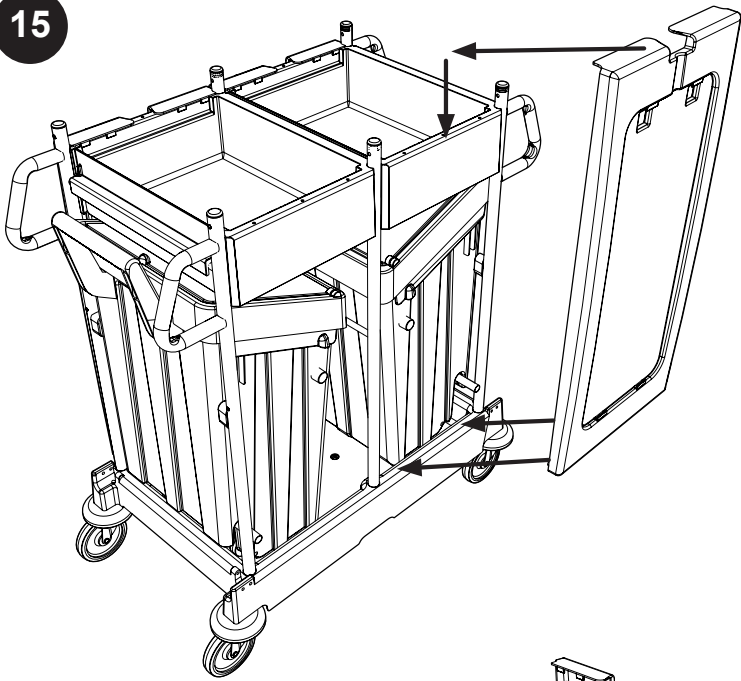
13



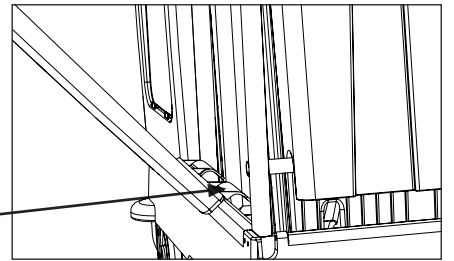
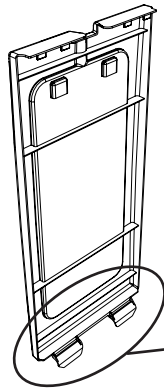
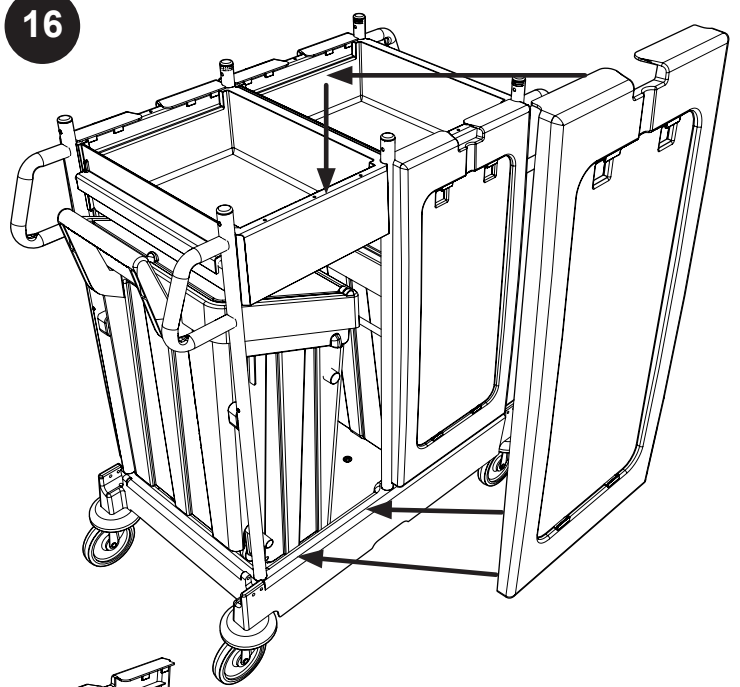
14



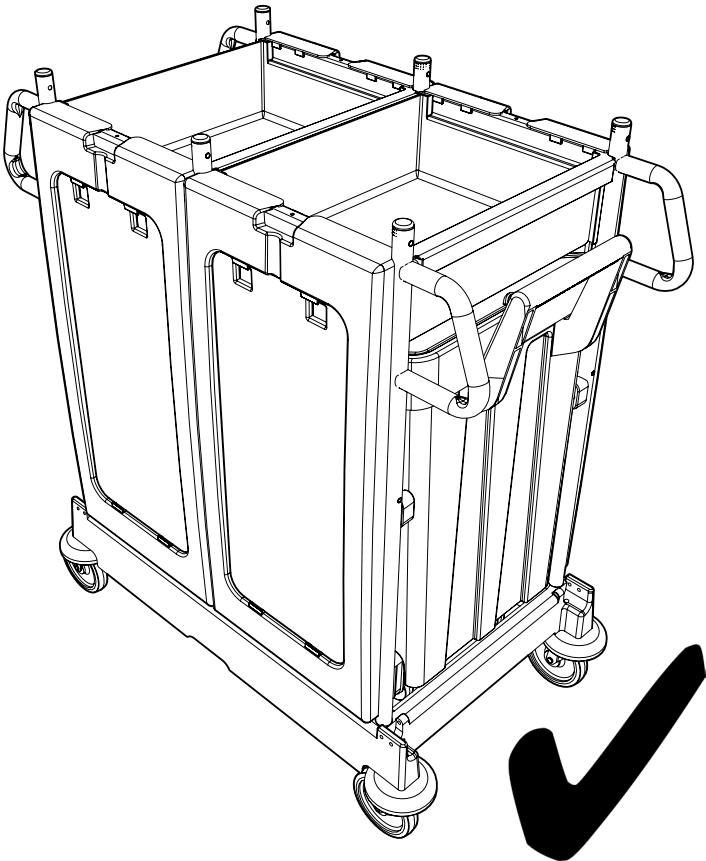
15



16

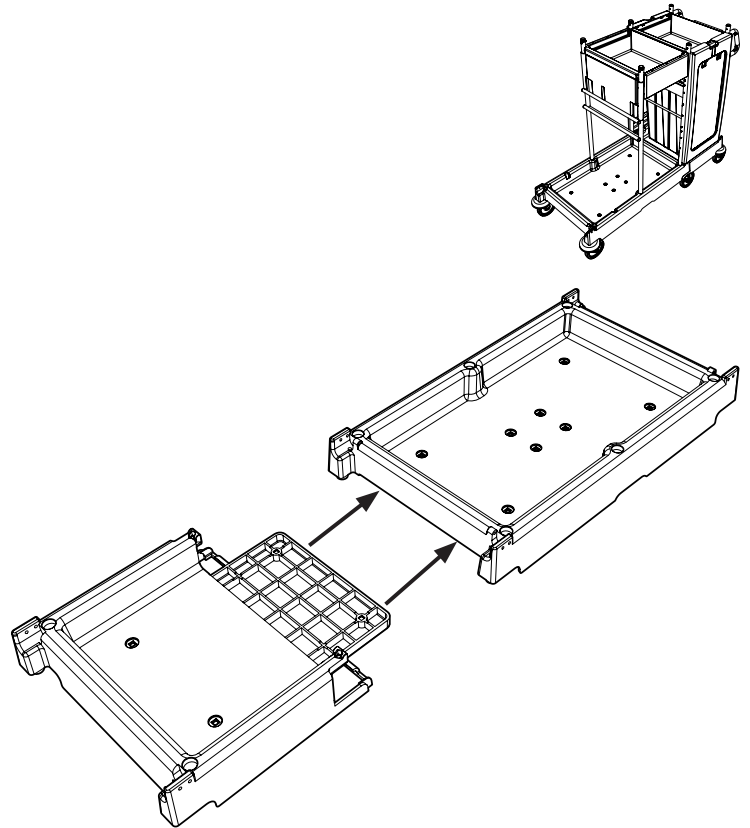


17



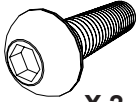
1

PM 20S Kit Boxes A / C



2

909100
M10x40



X 2

219903
M10 Form A

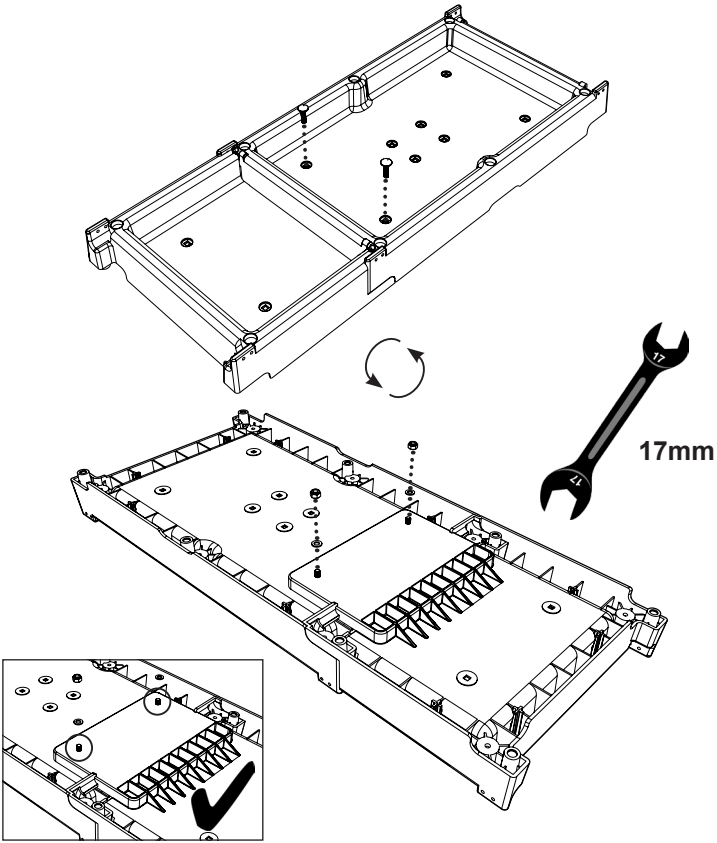


X 2

219897
M10 Nylon Insert



X 2



3

291123
M8x75 Hex
Head



X 2

219578
M8 Form A

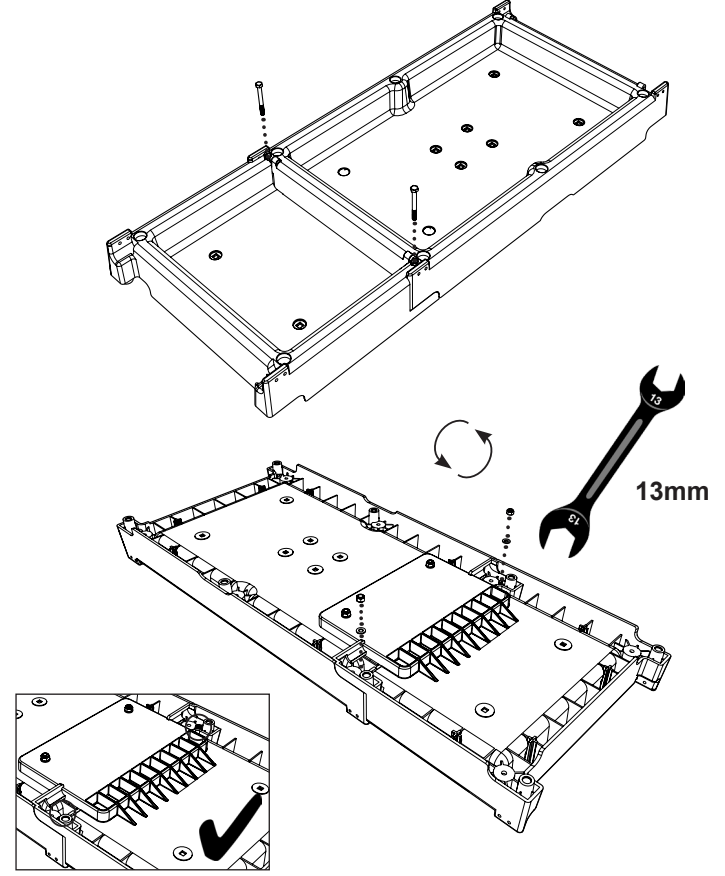


X 2

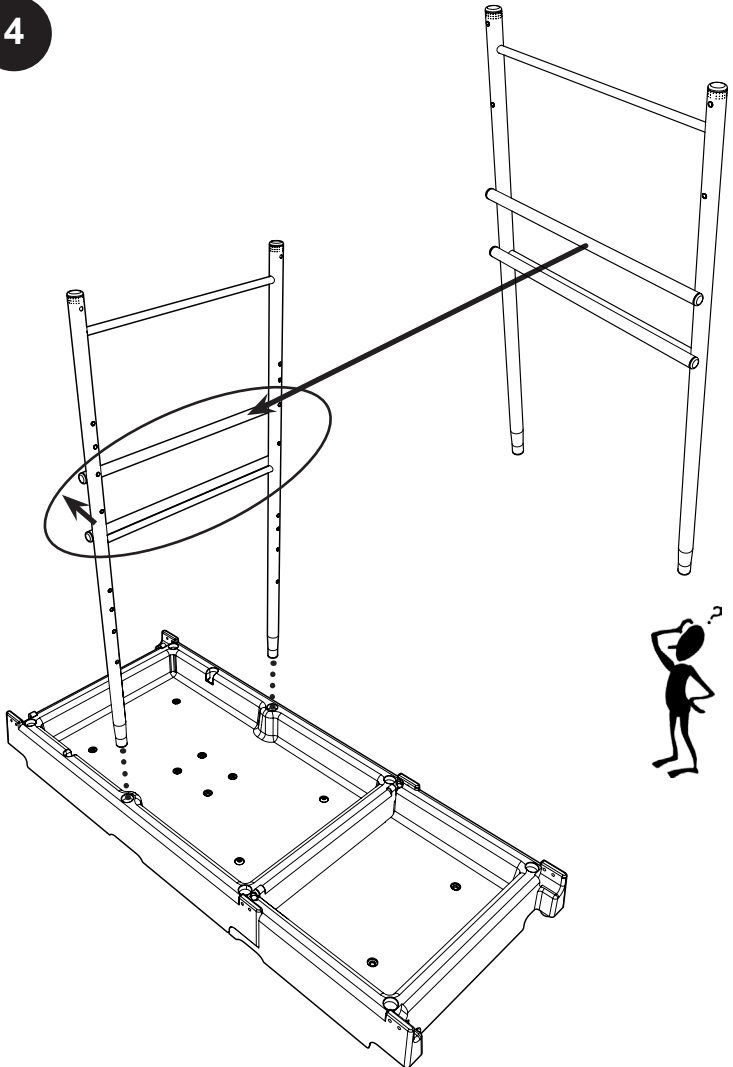
219070
M8 Nylon Insert



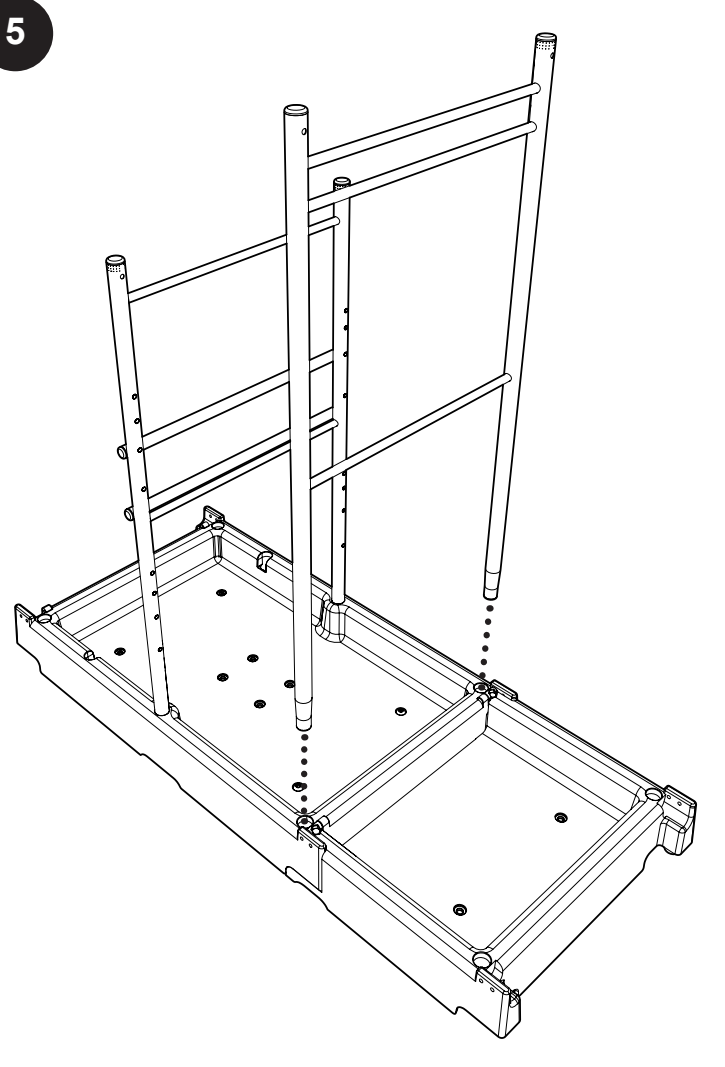
X 2



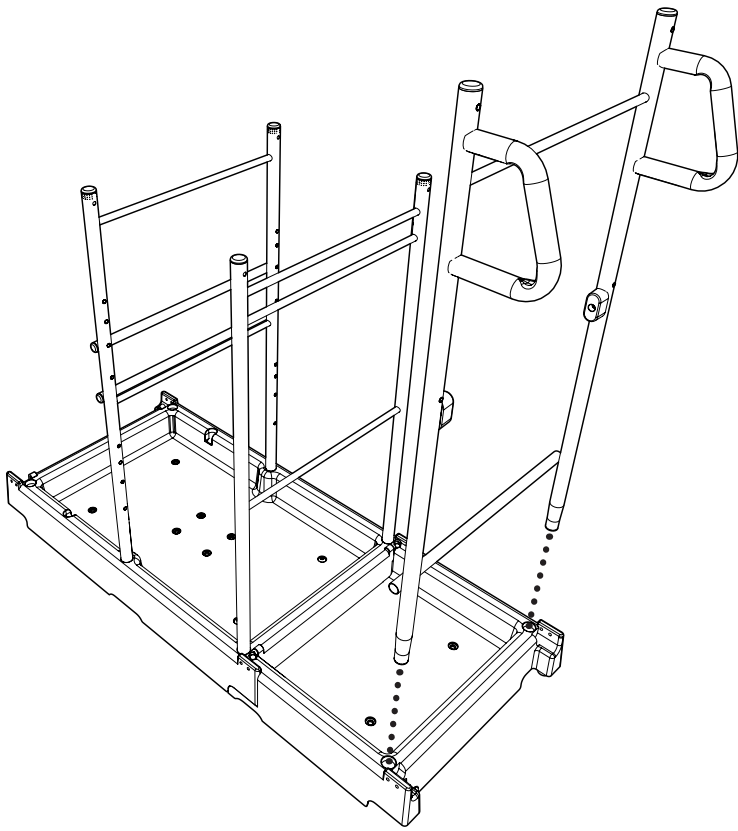
4



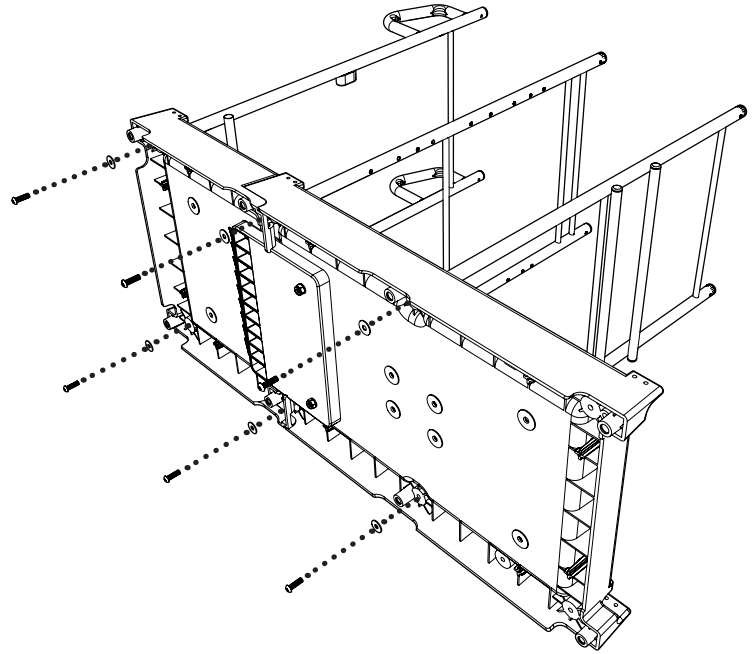
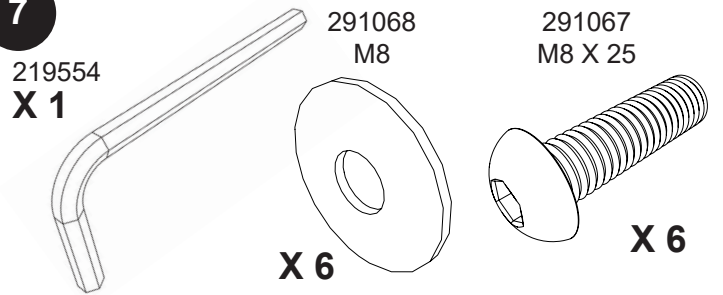
5



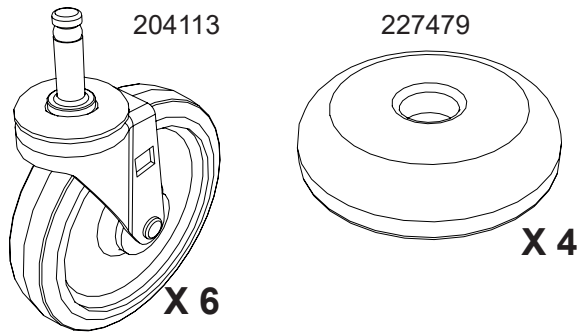
6



7

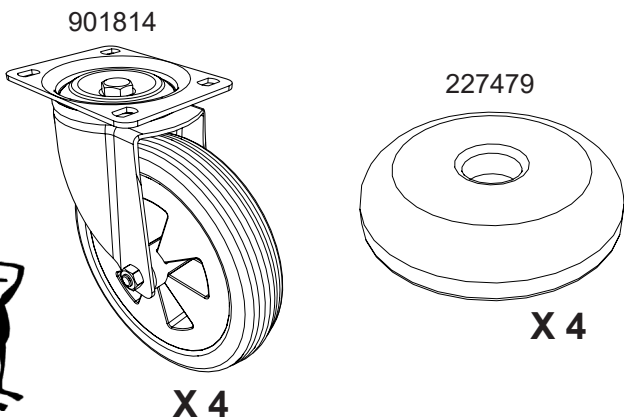
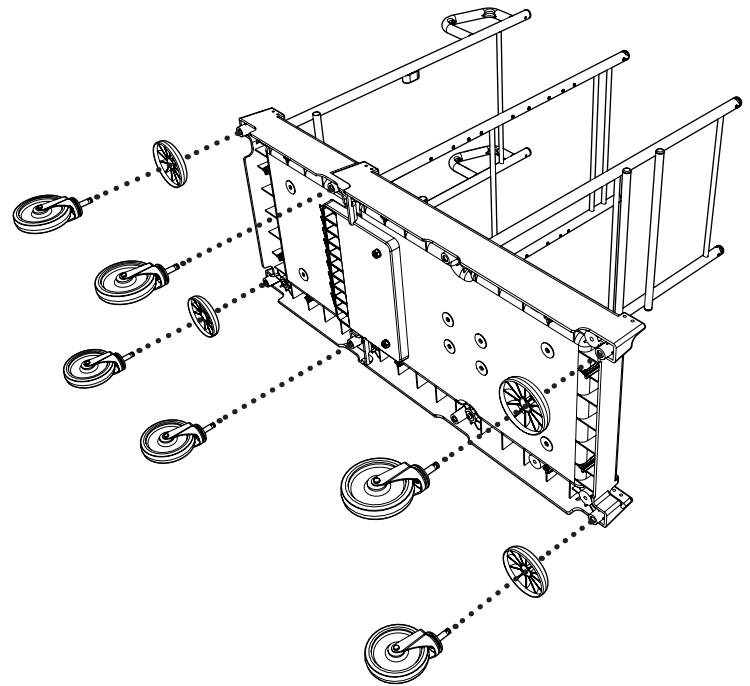


8

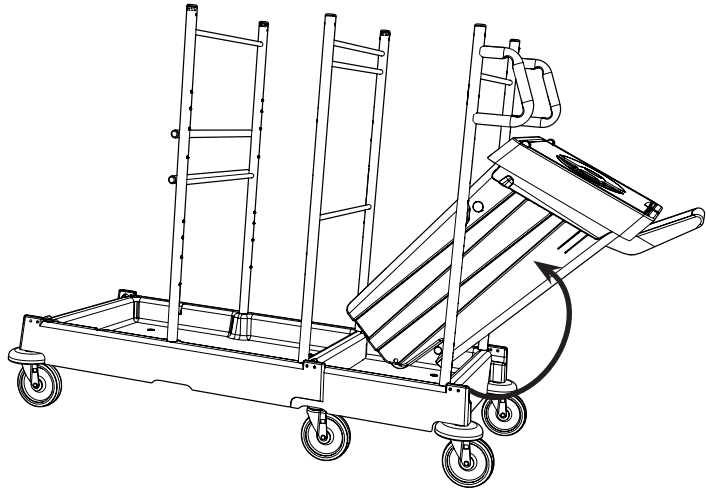
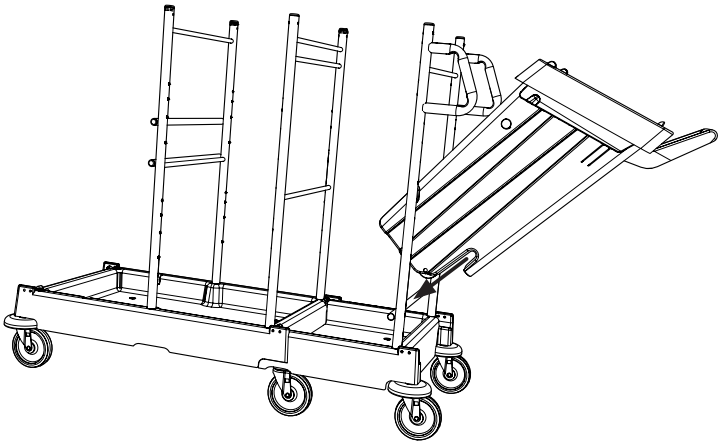


Page - 8-11

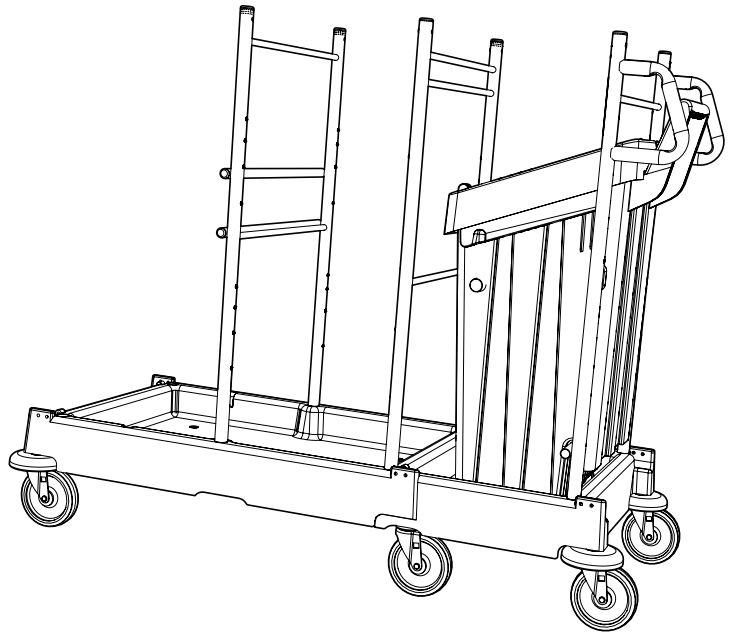
9



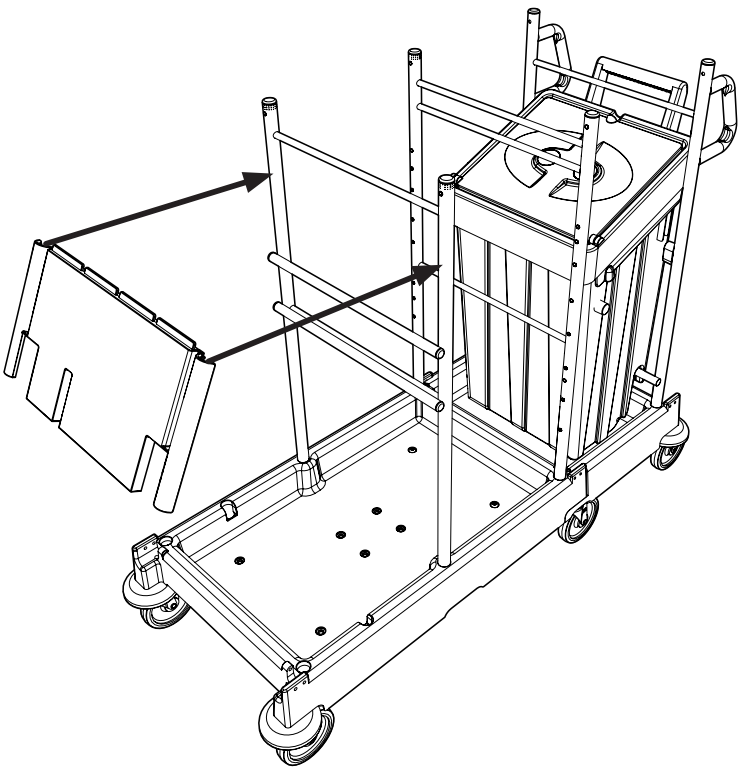
10



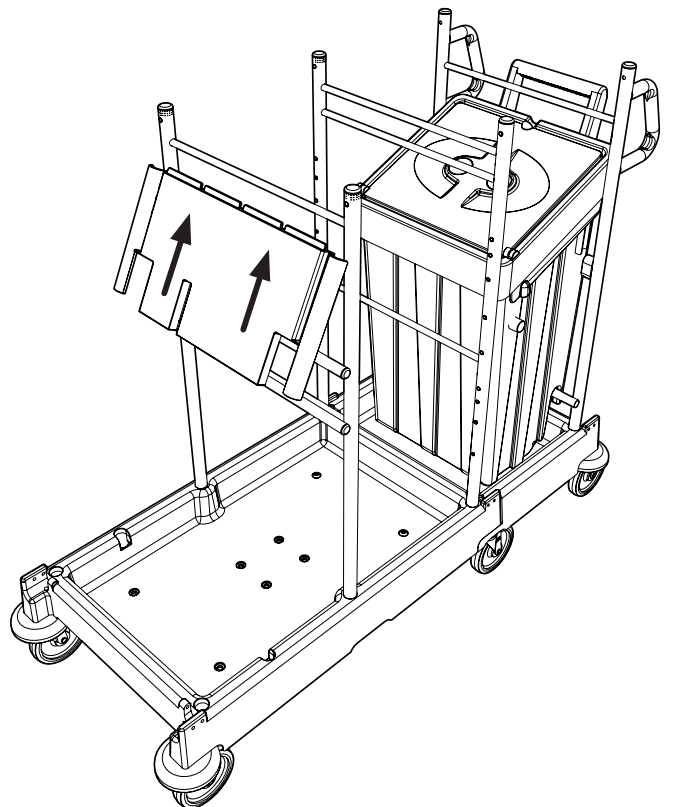
11



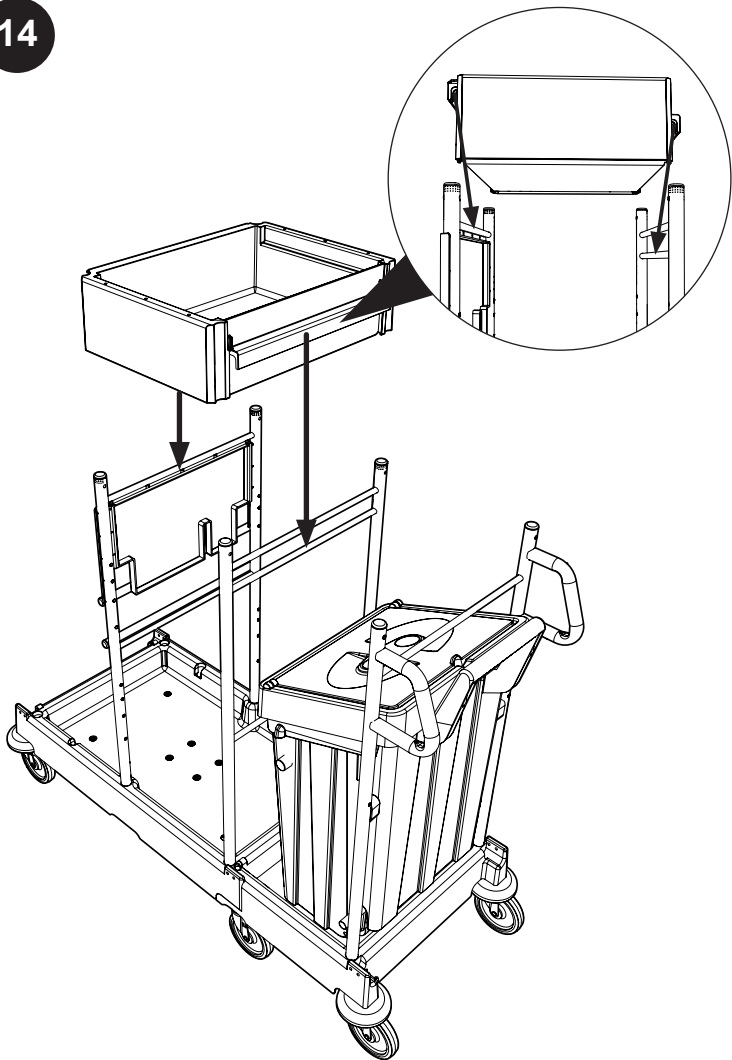
12



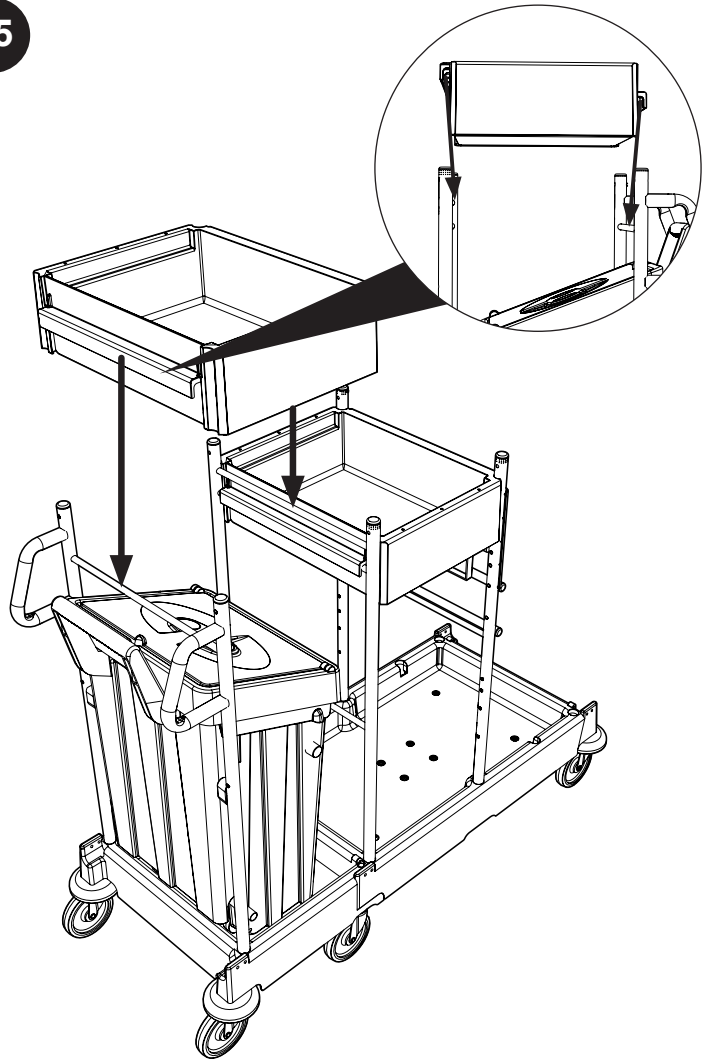
13



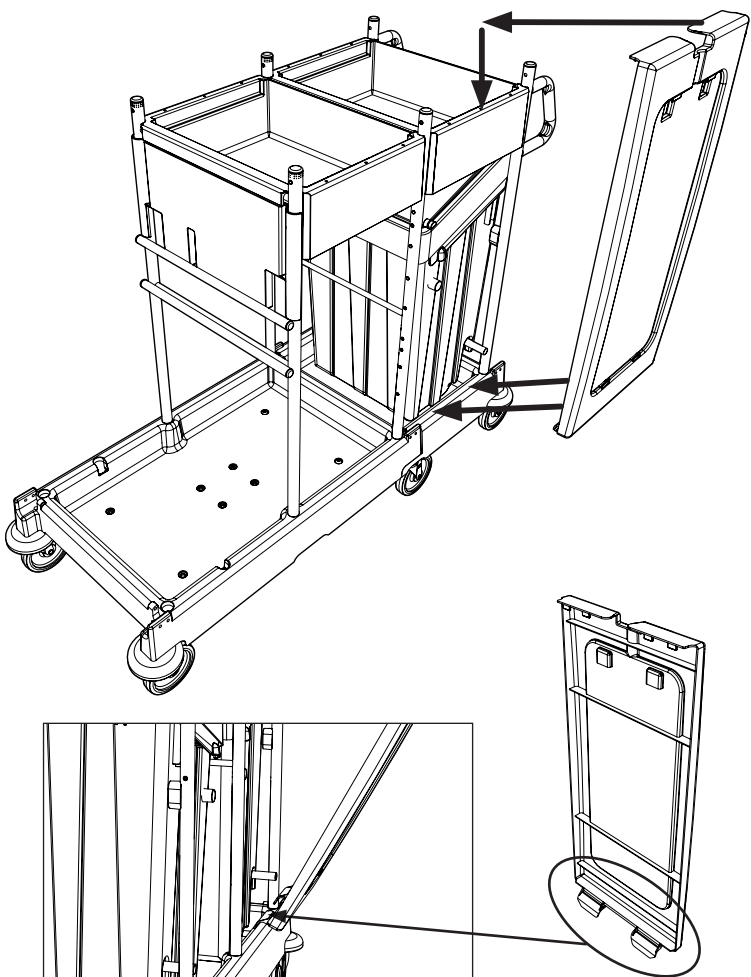
14



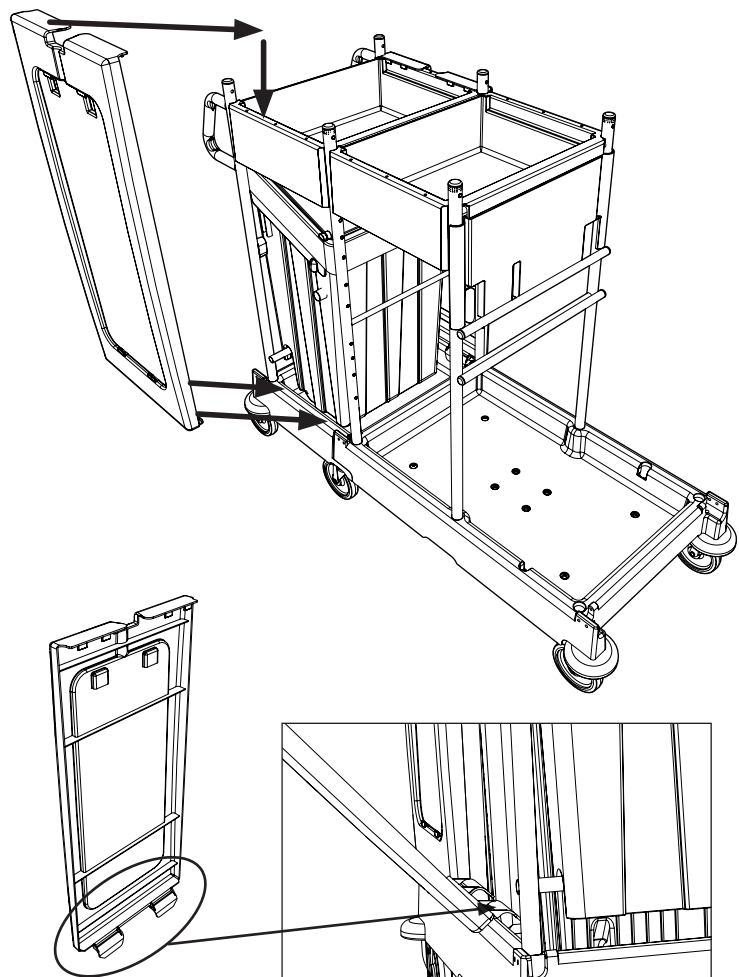
15

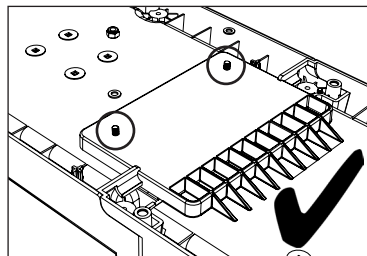
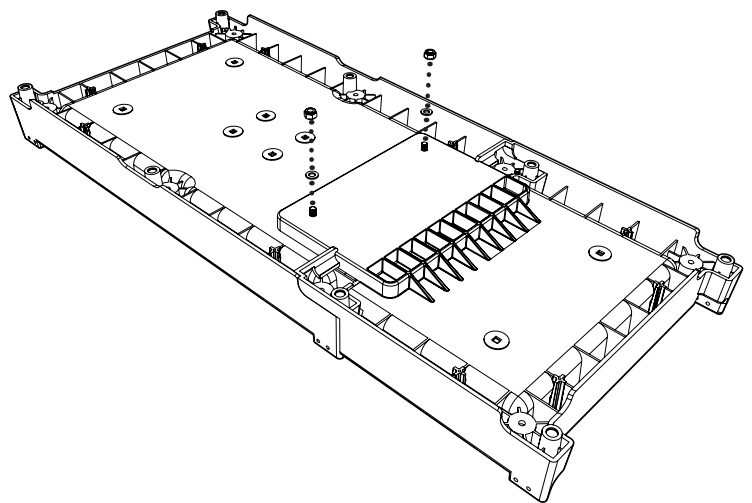
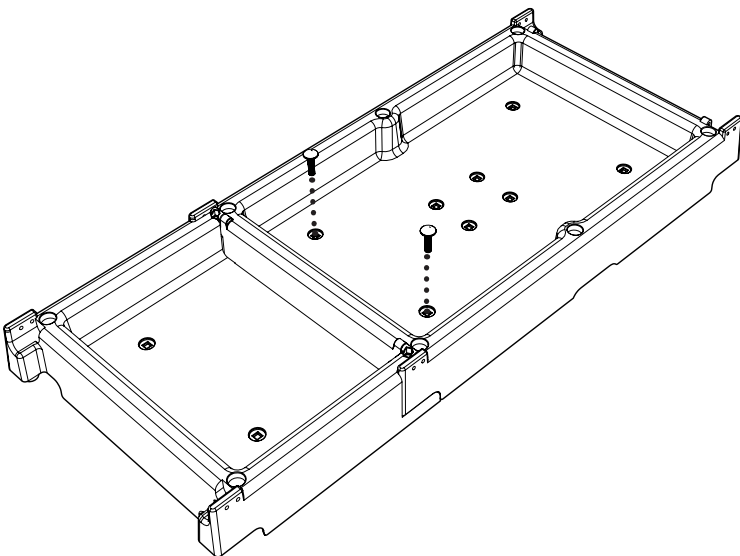
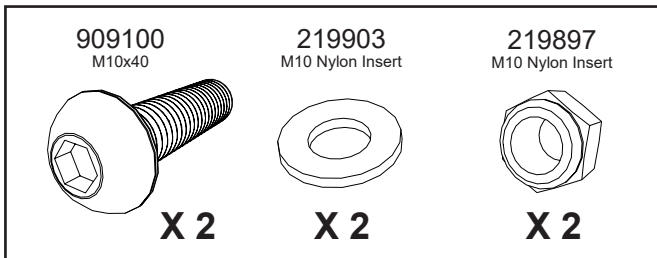
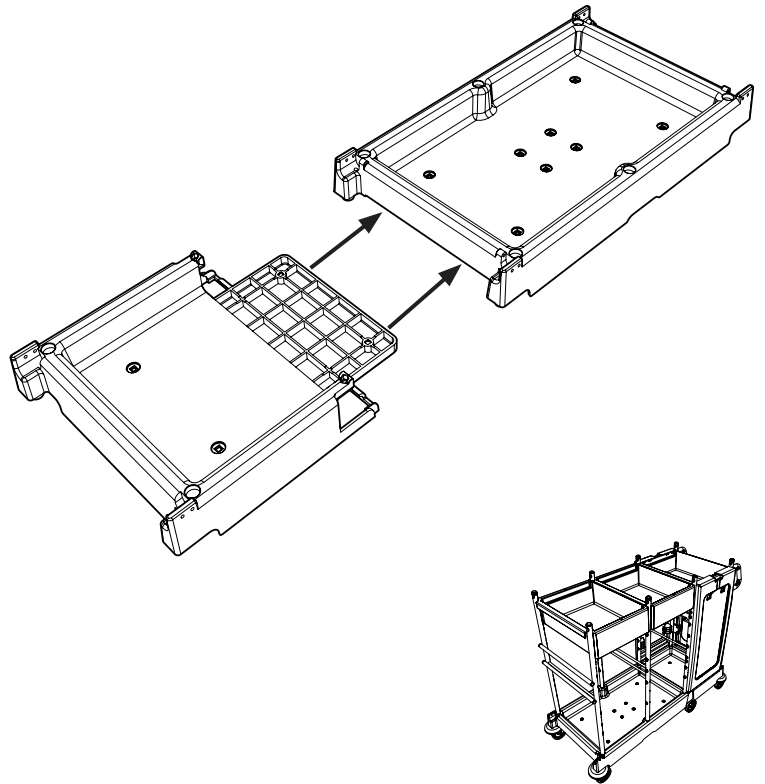
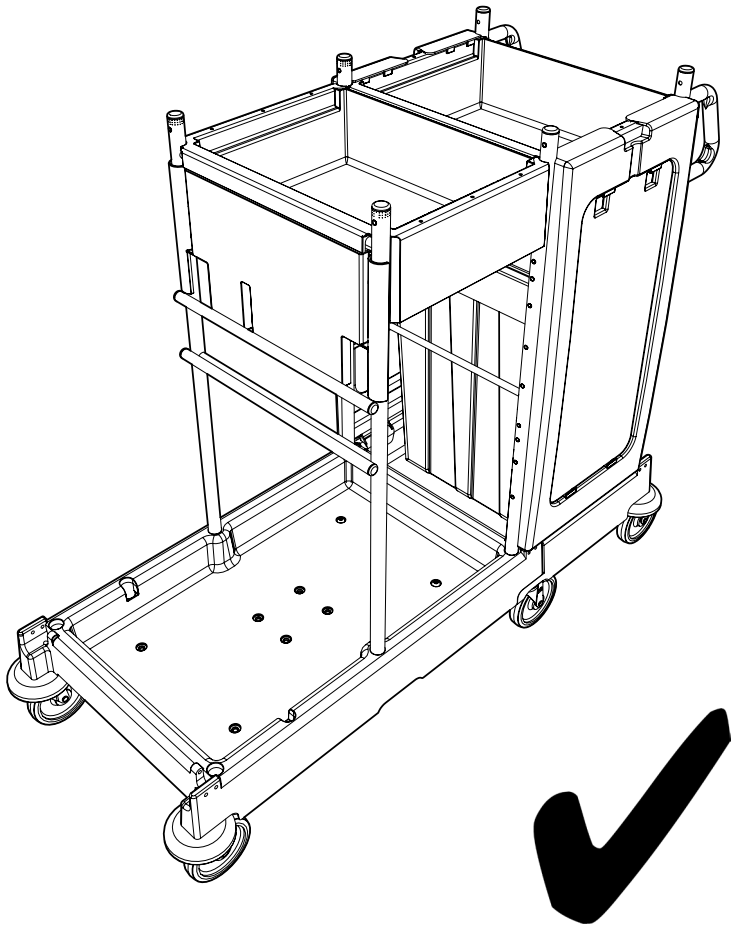


16

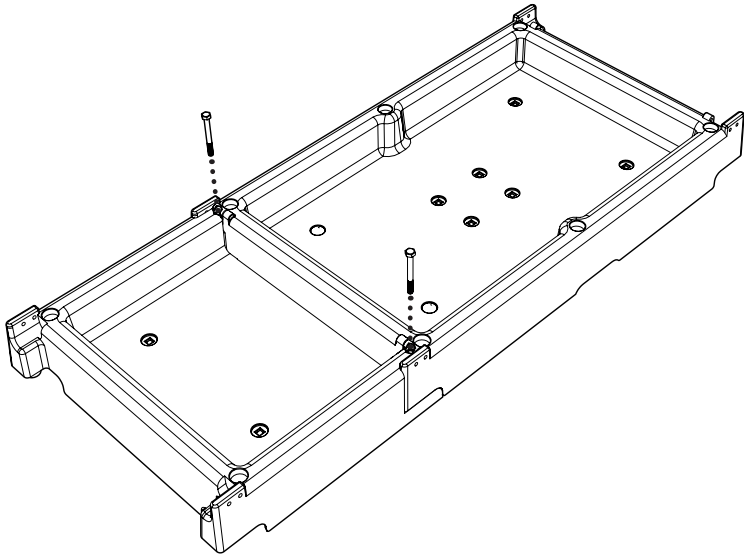
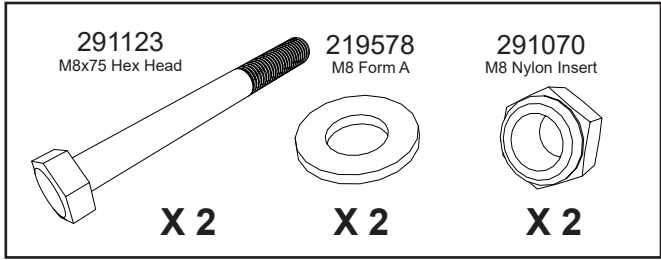


17

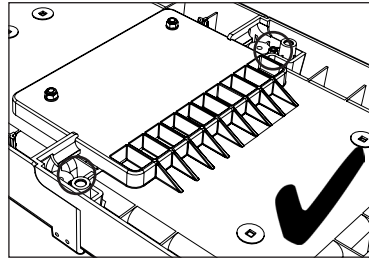
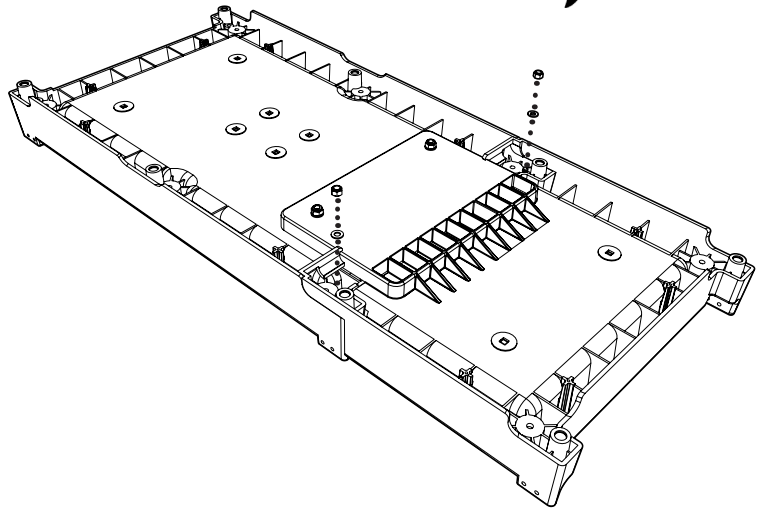




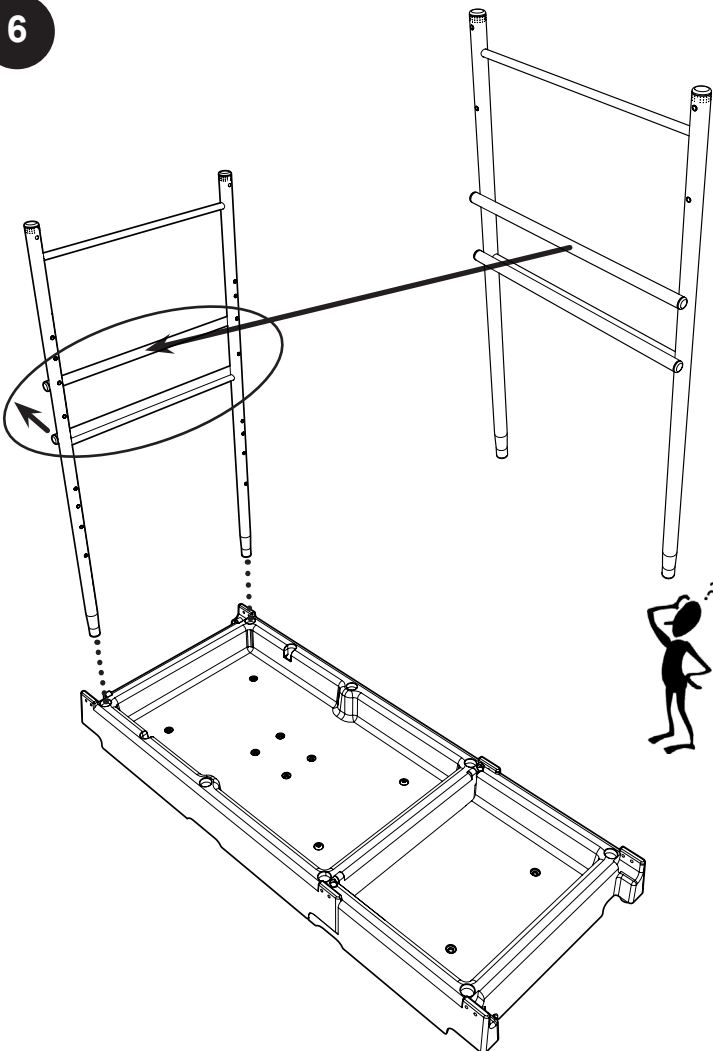
4



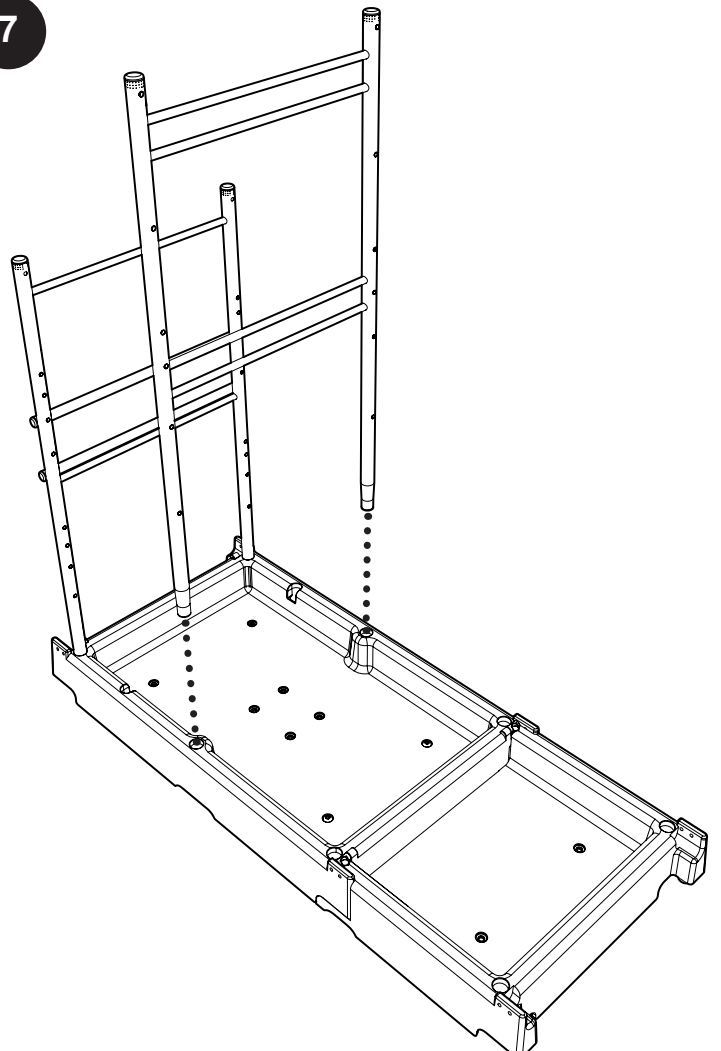
5



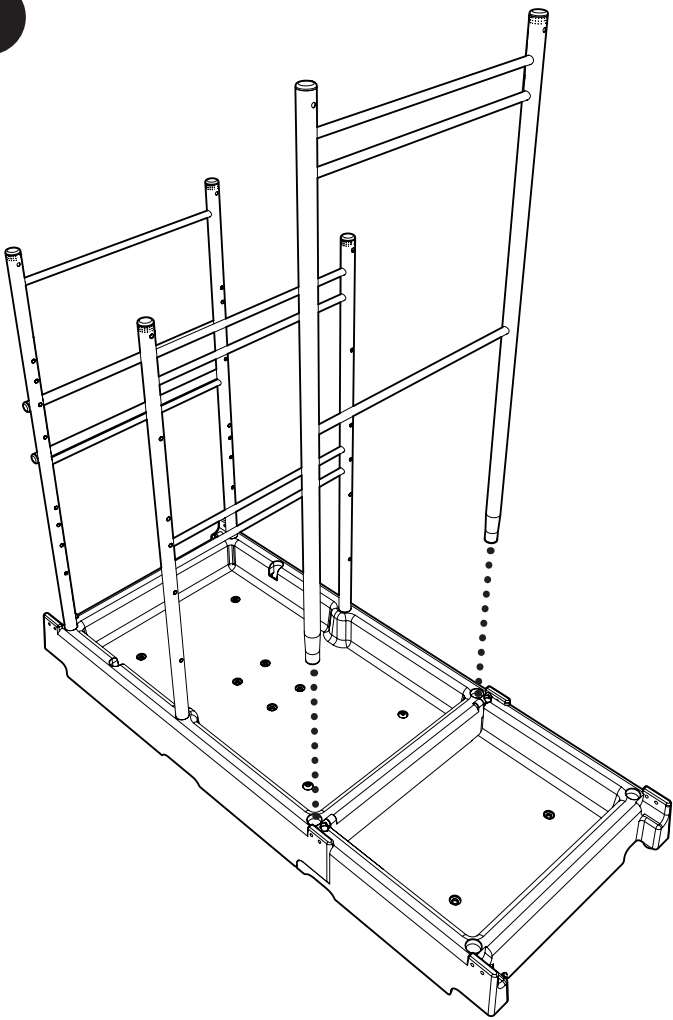
6



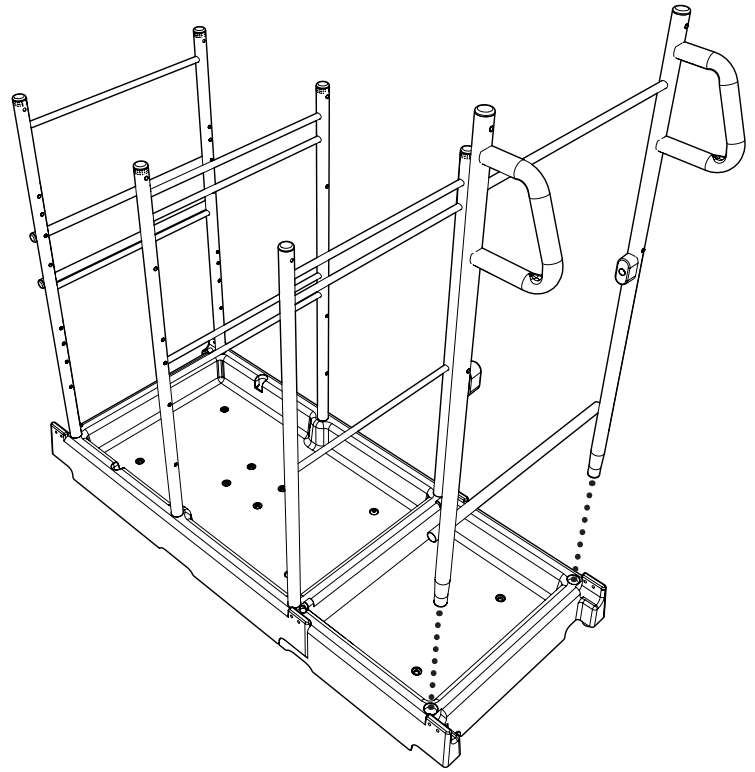
7



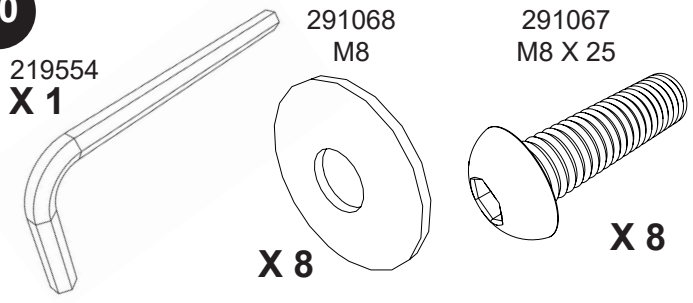
8



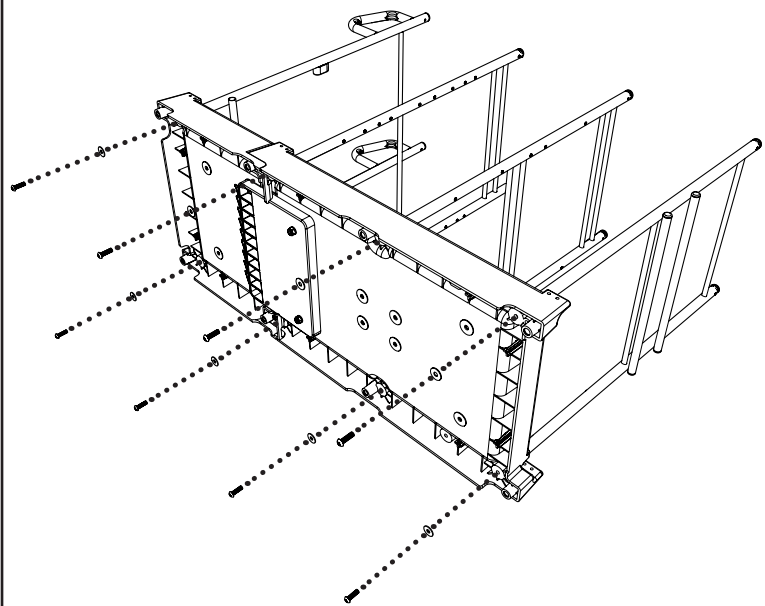
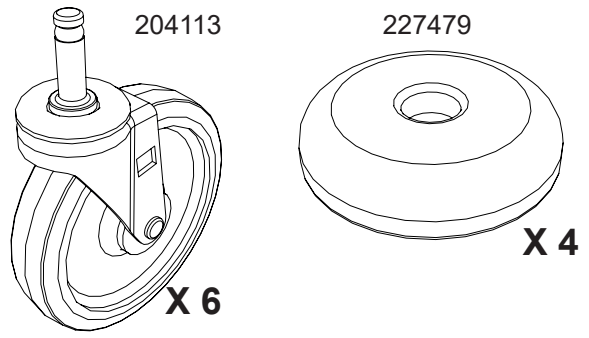
9



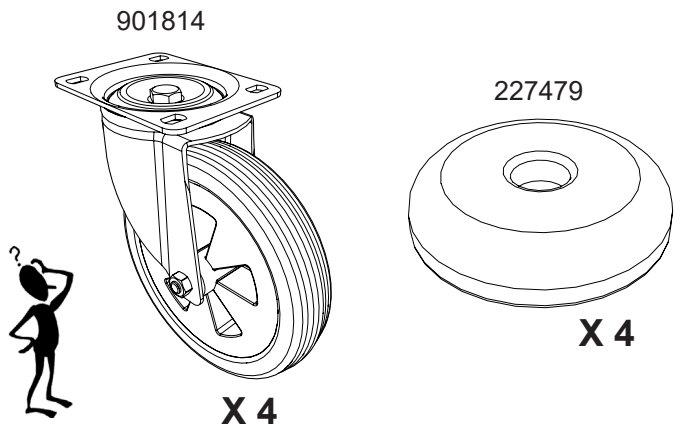
10



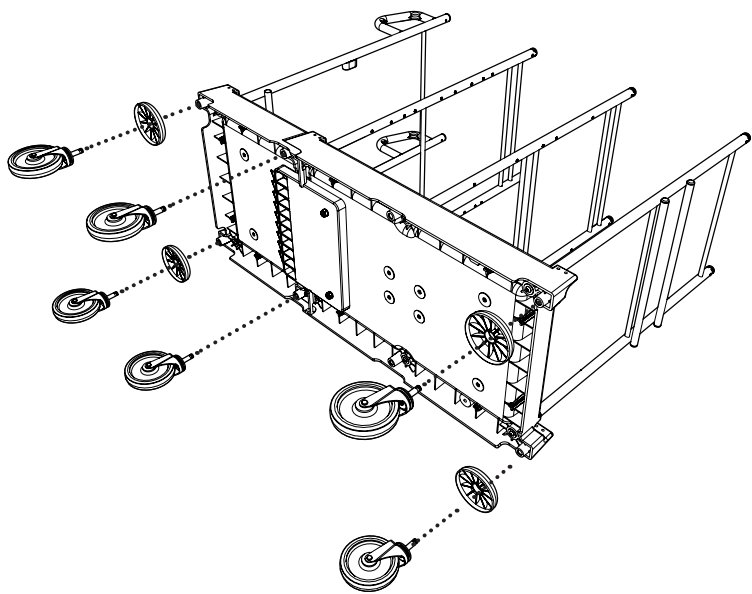
11



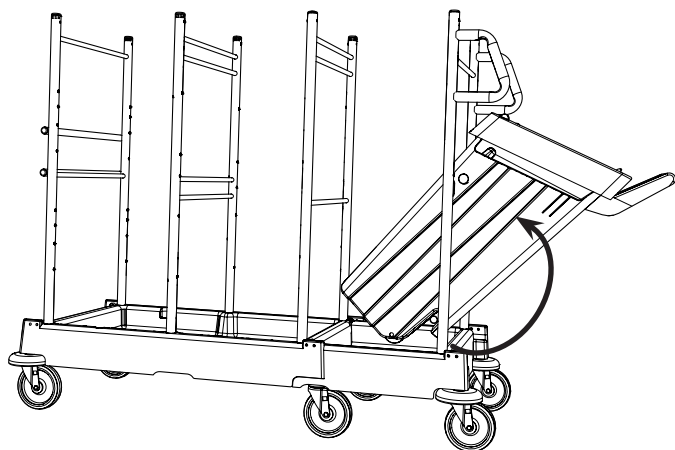
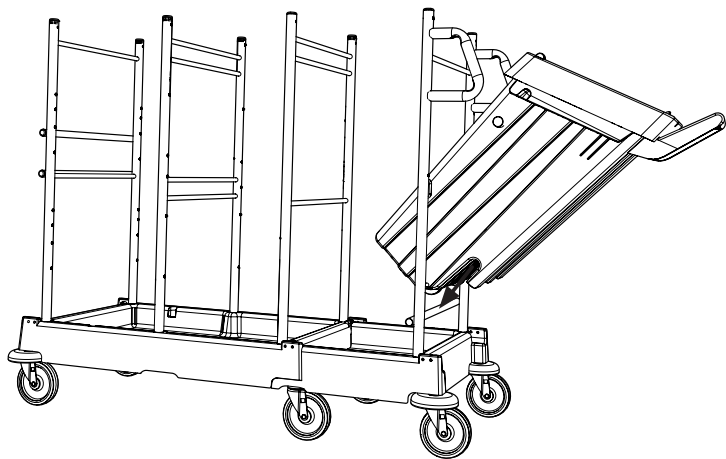
Page - 8-11



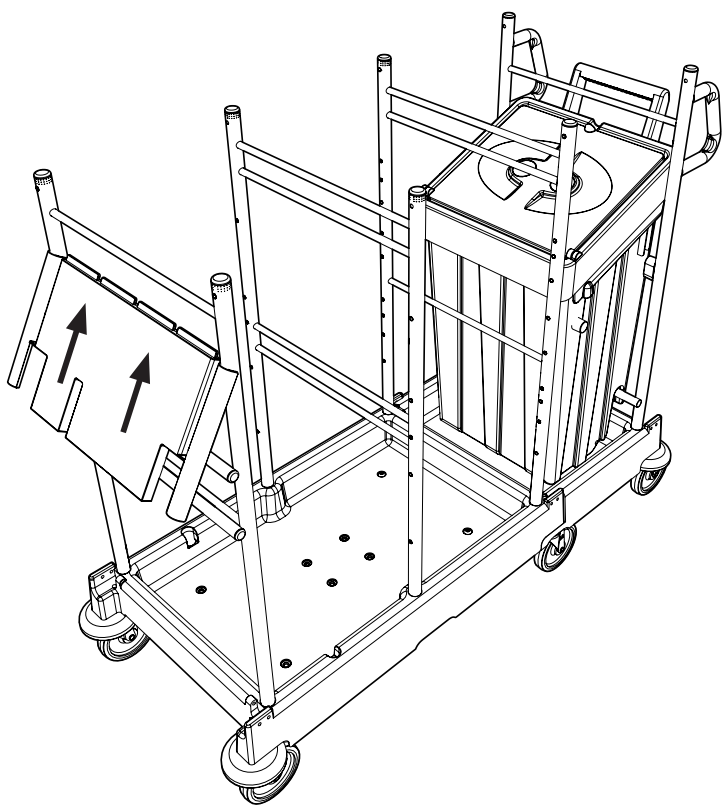
12



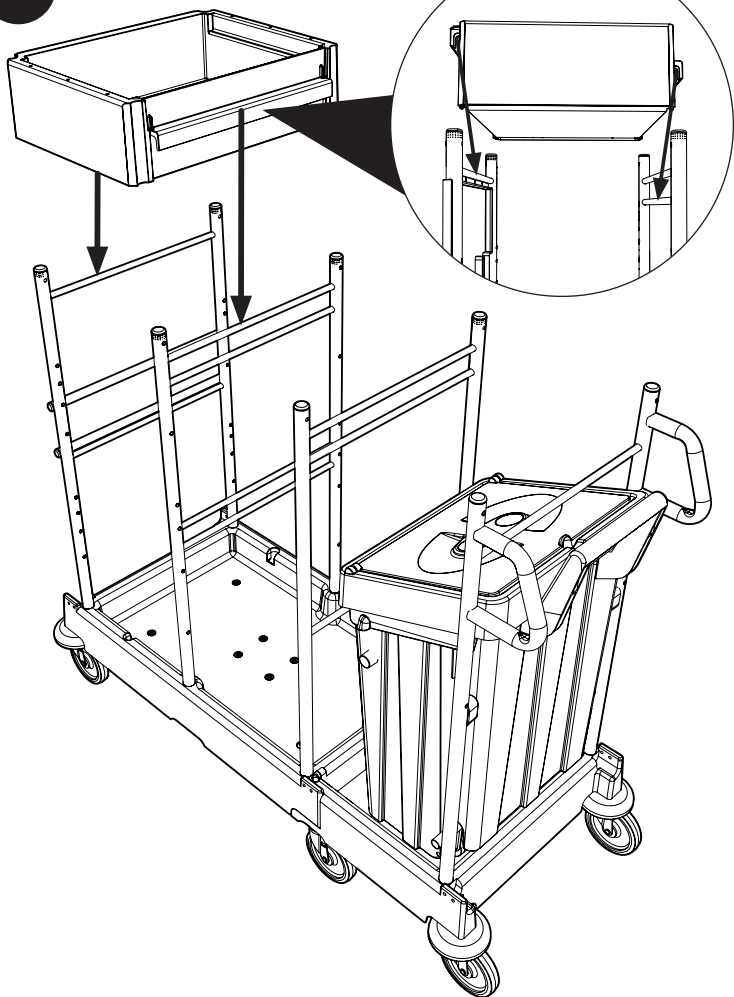
13



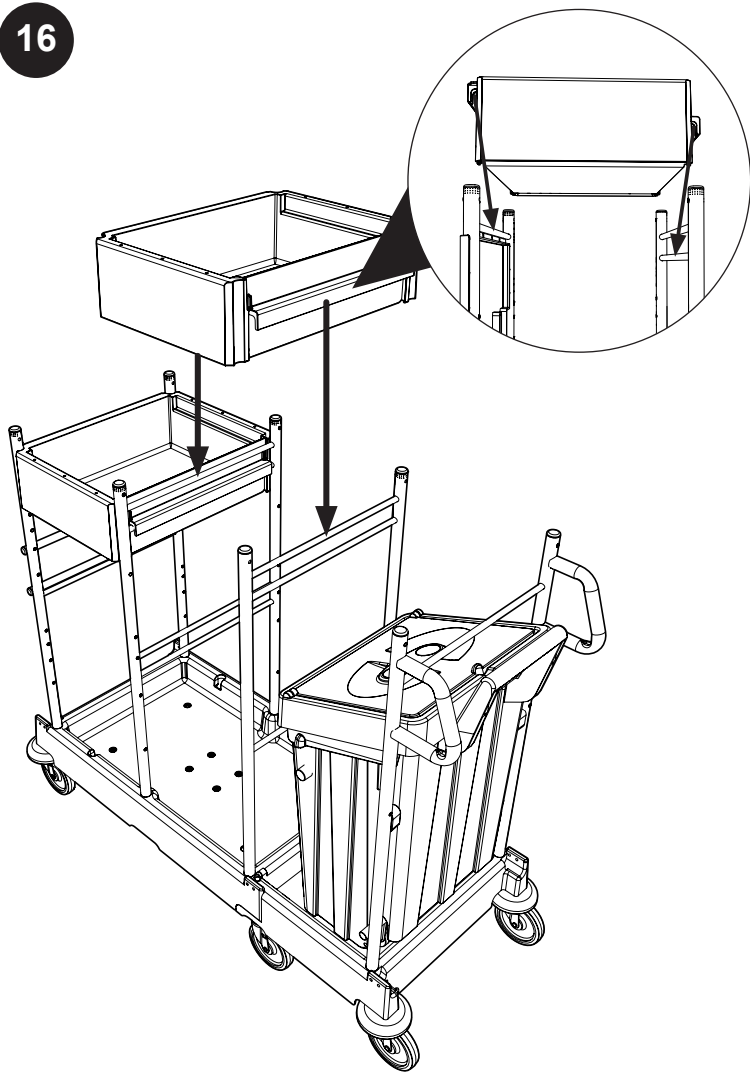
14



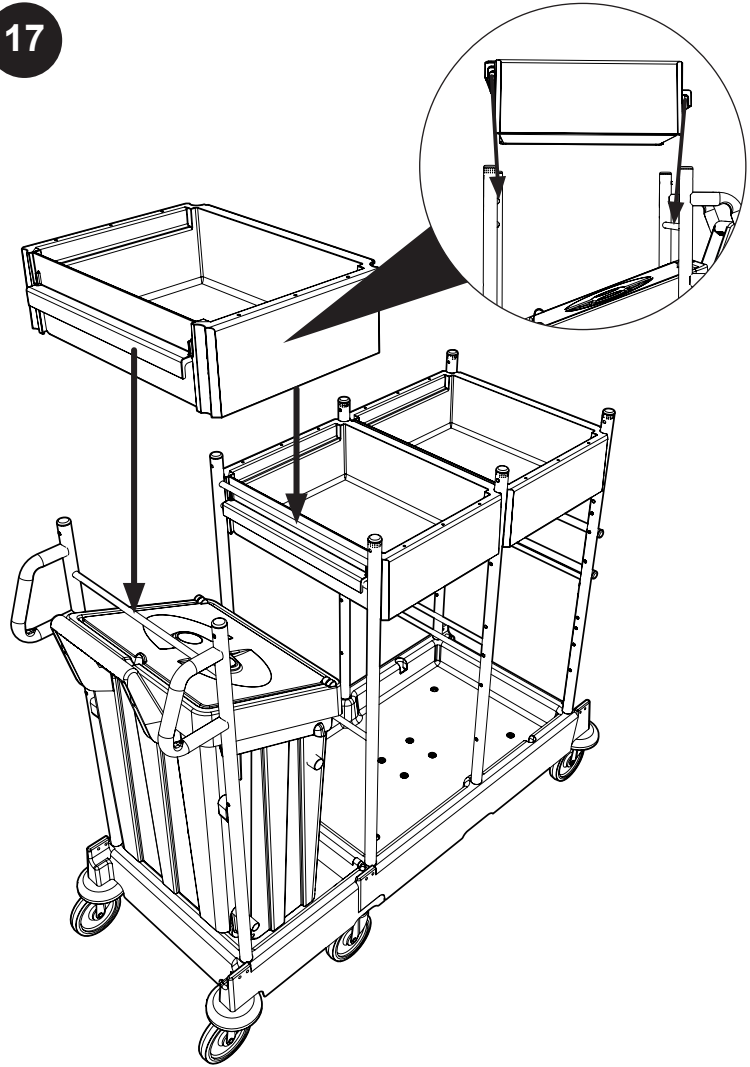
15



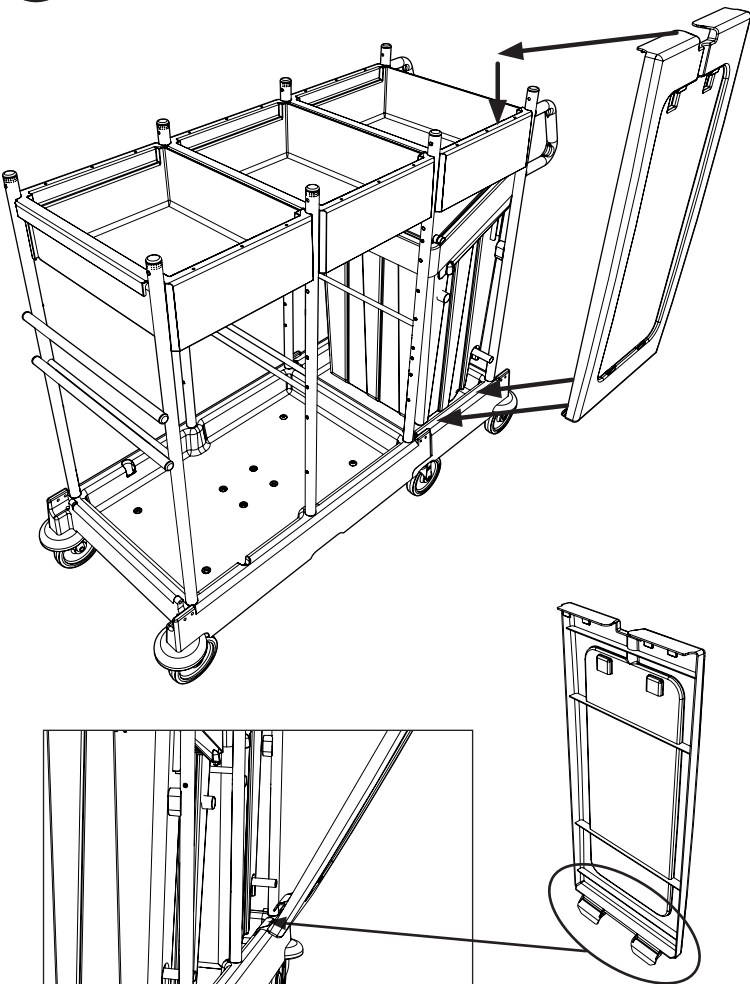
16



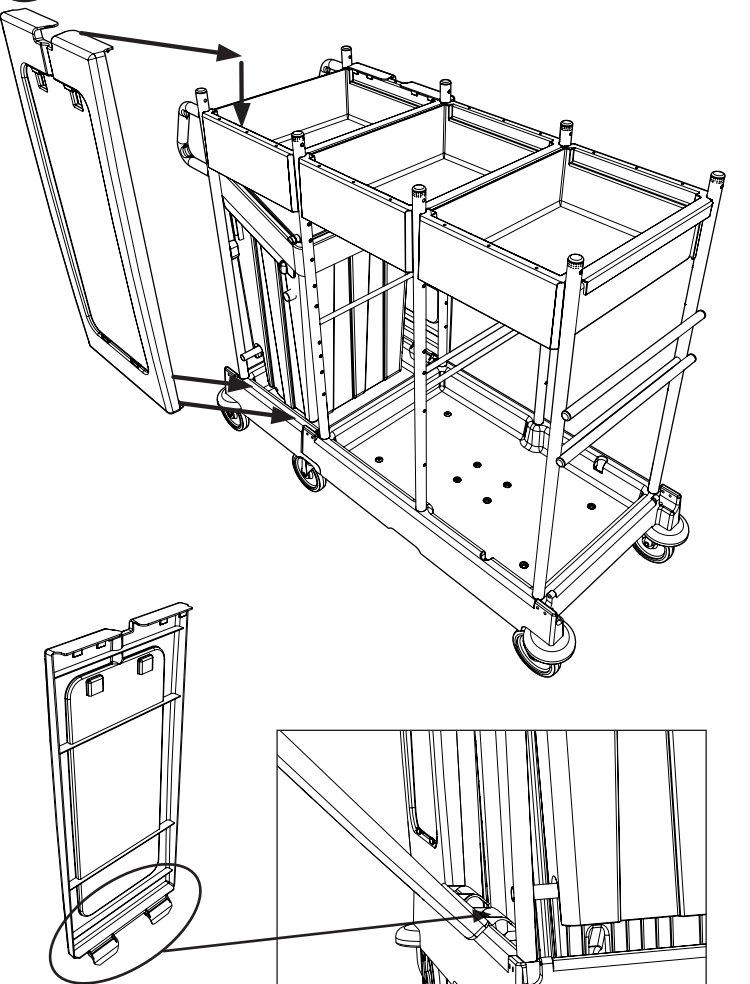
17

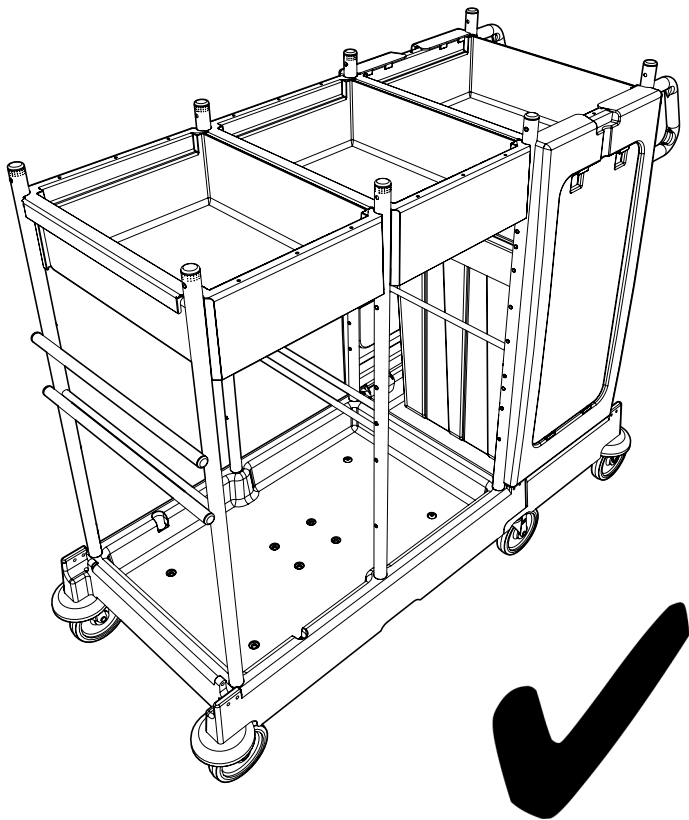


18



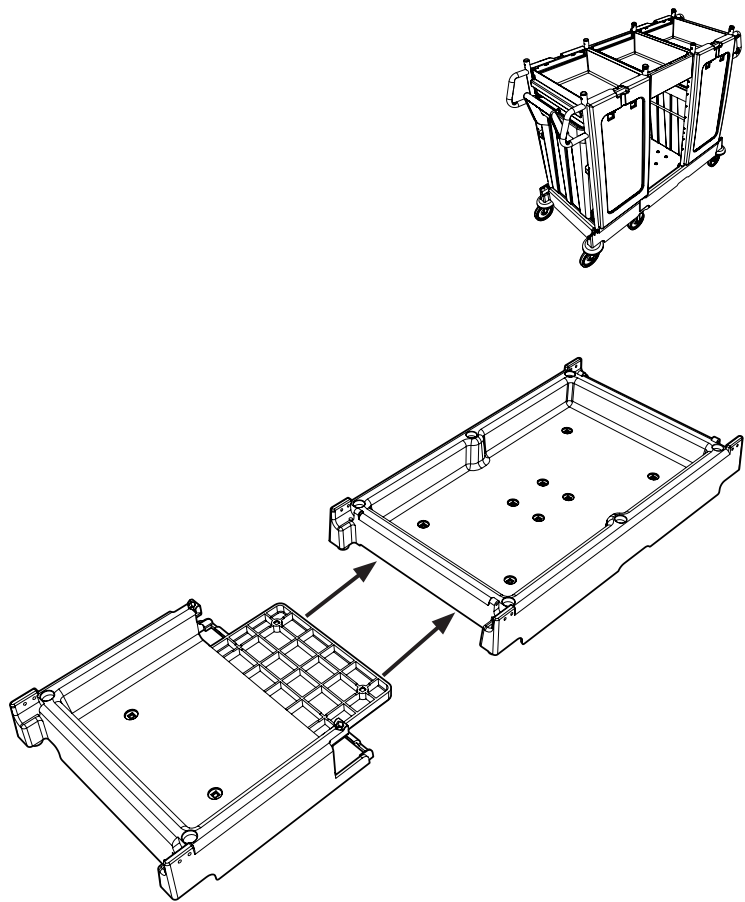
19



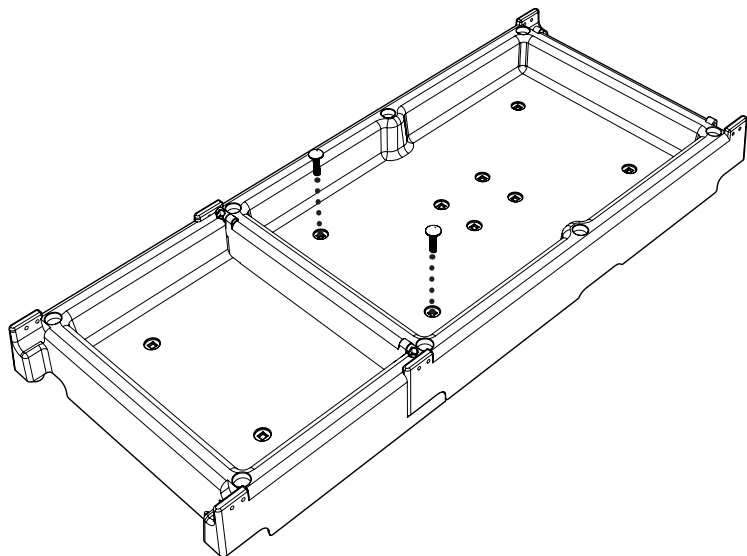
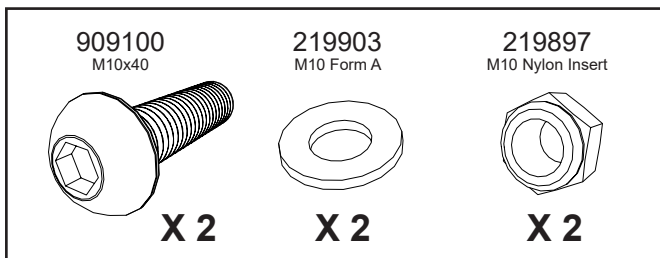


1

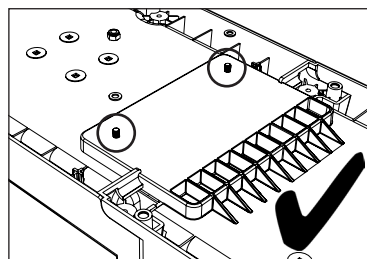
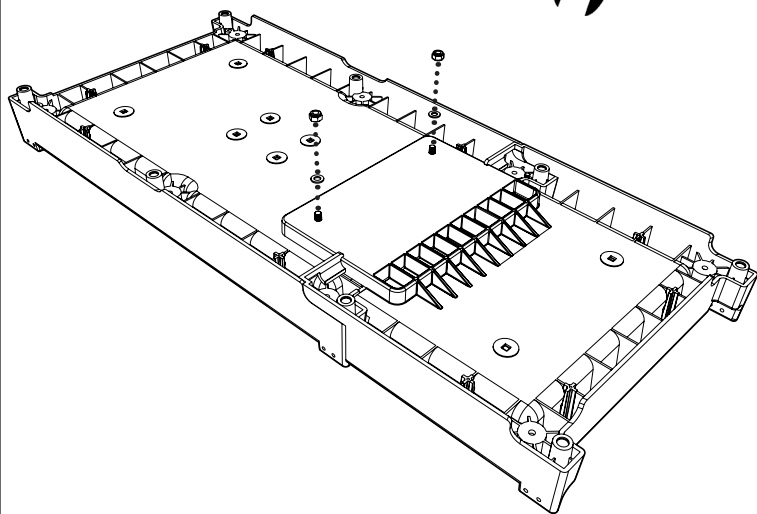
PM 22S Kit Boxes B / C



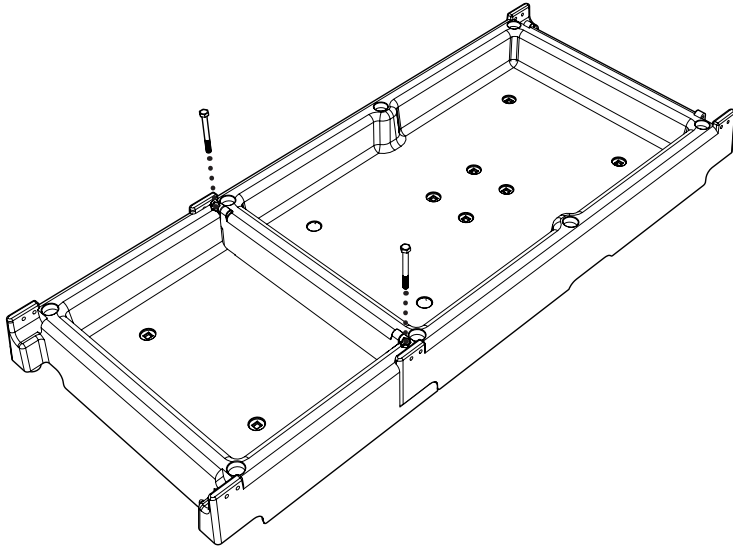
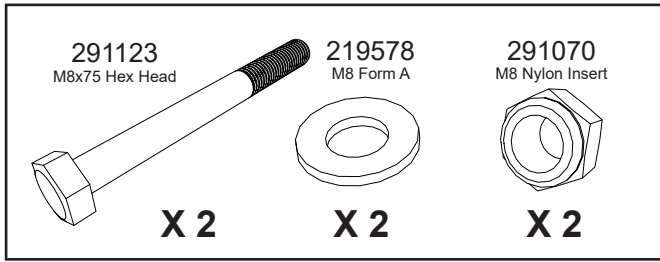
2



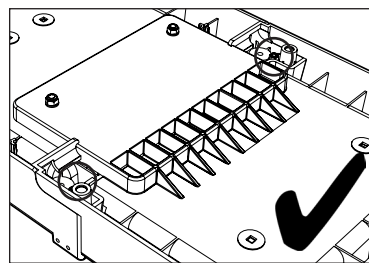
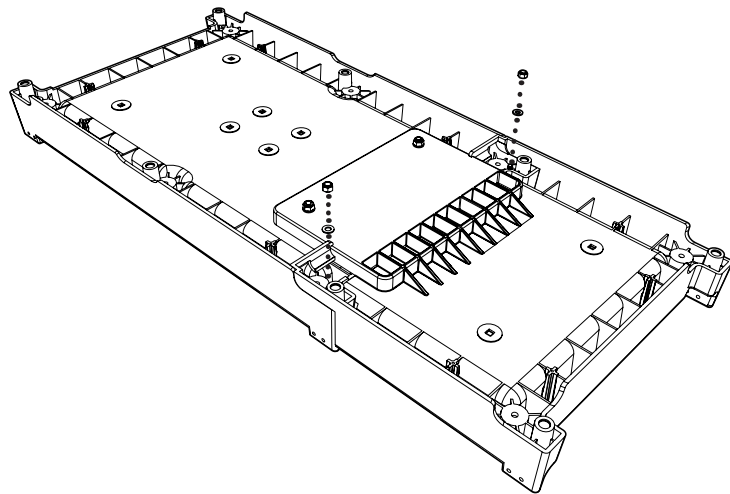
3



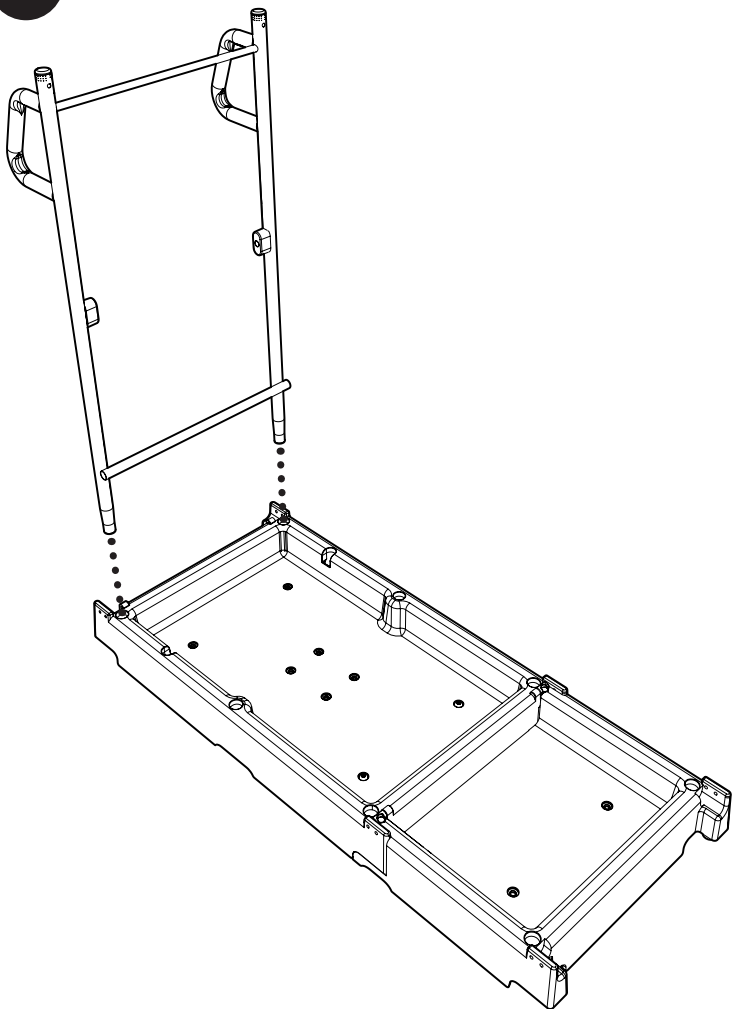
4



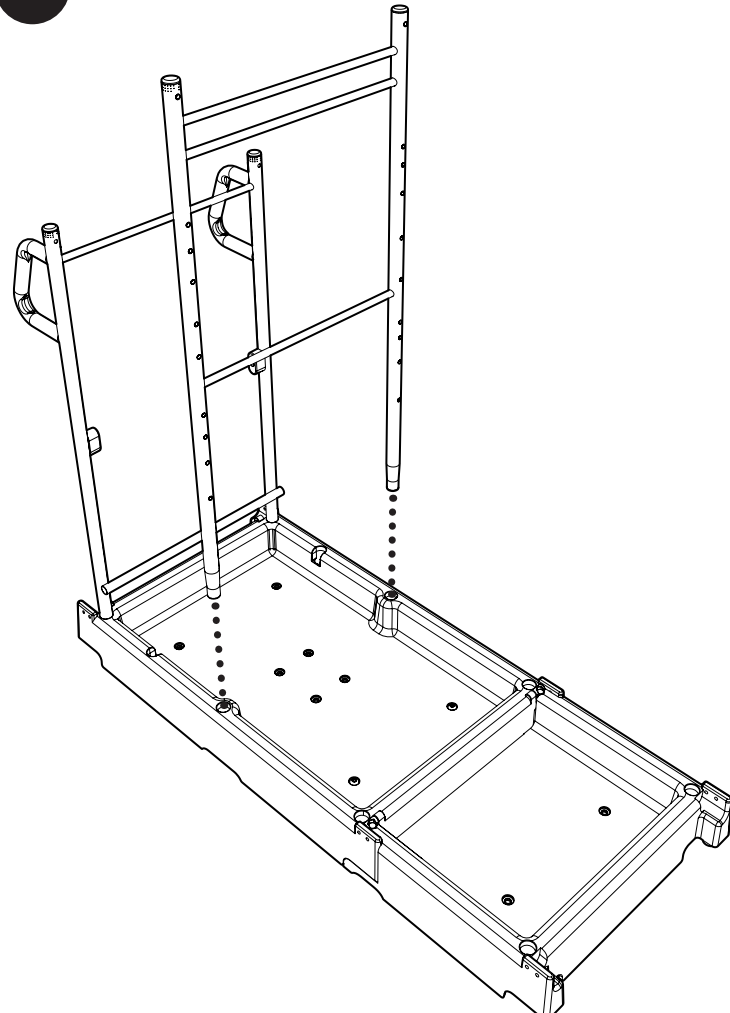
5



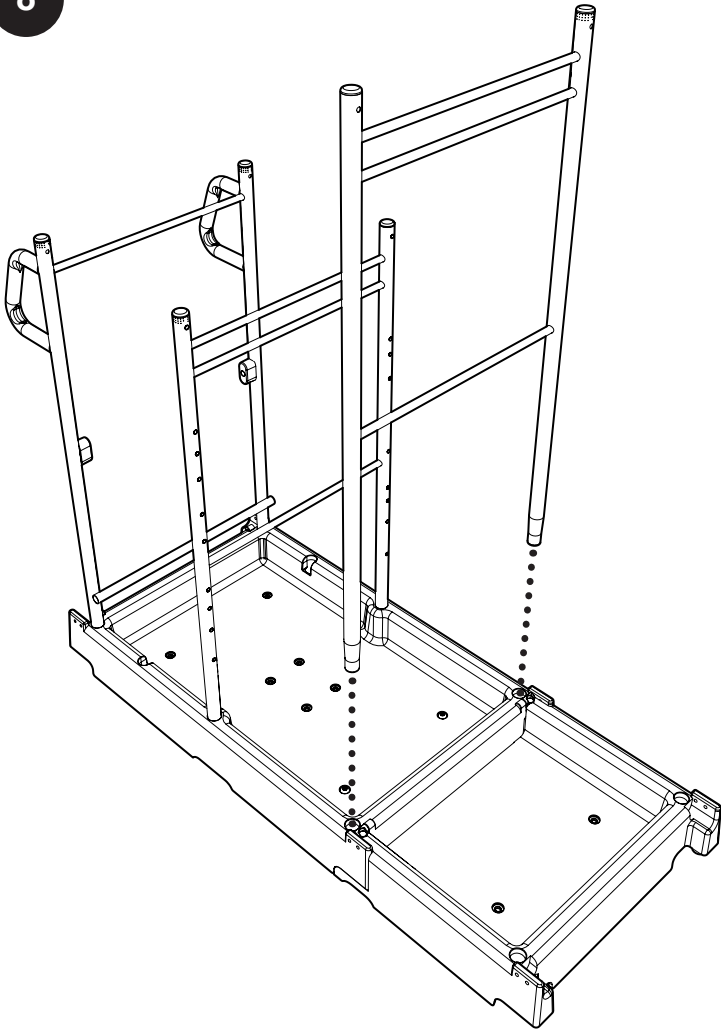
6



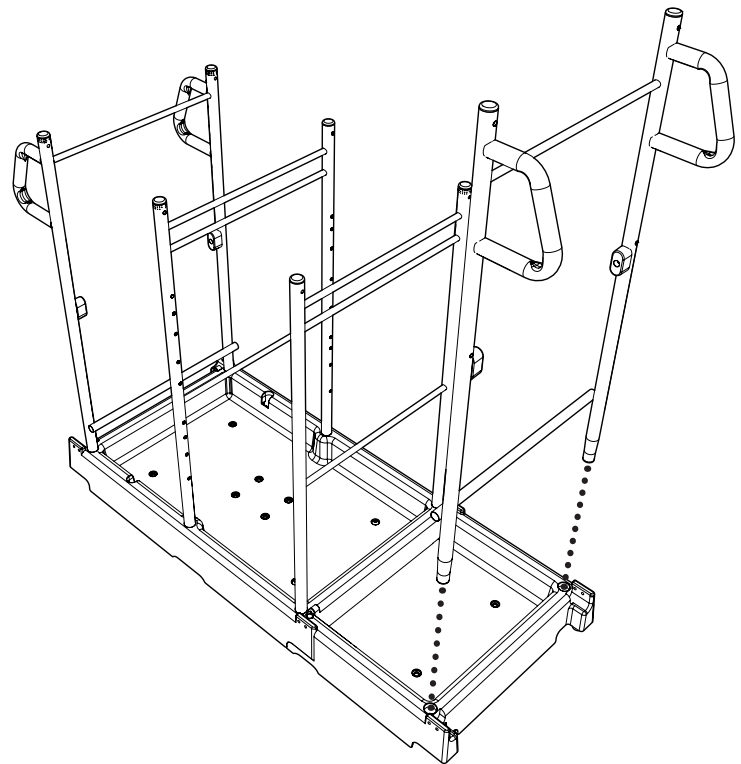
7



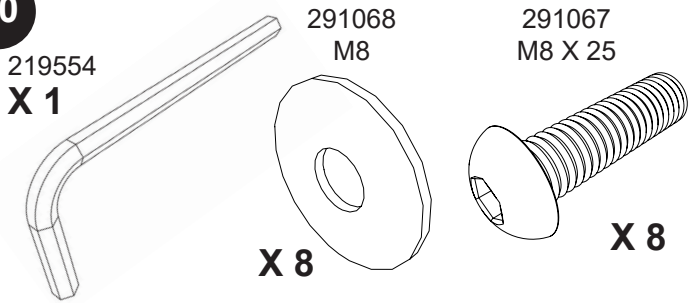
8



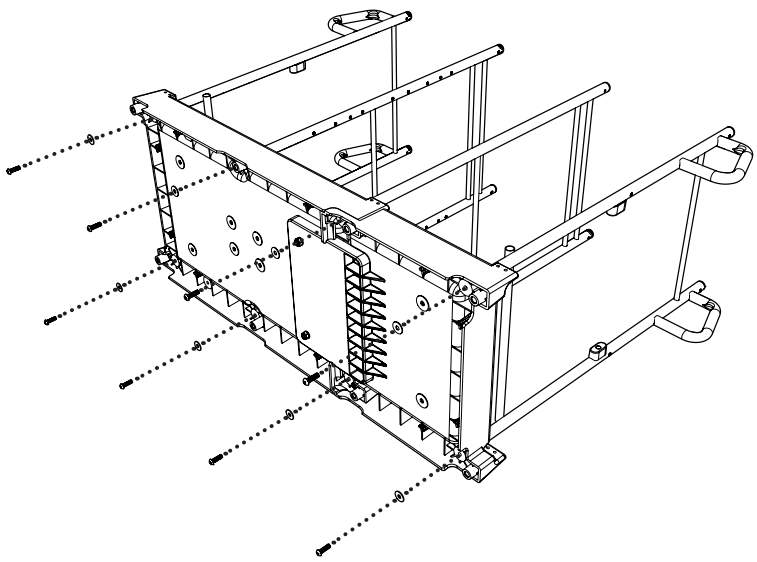
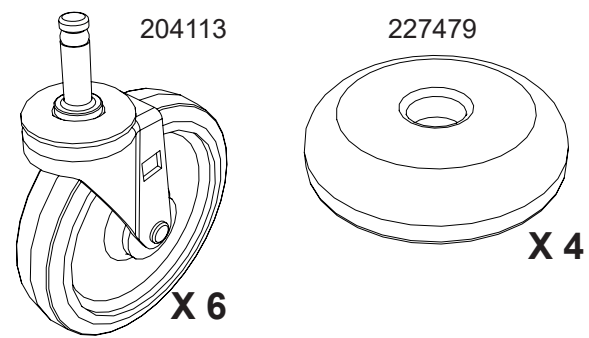
9



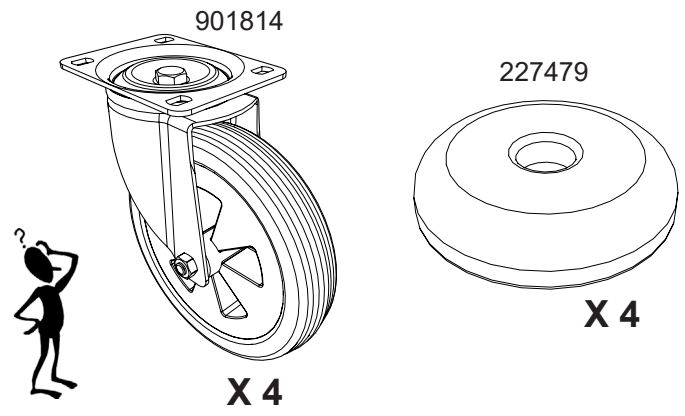
10



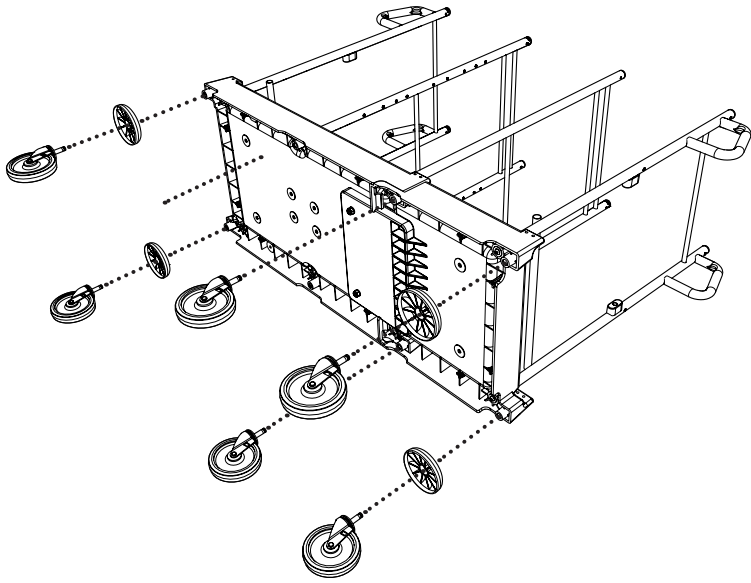
11



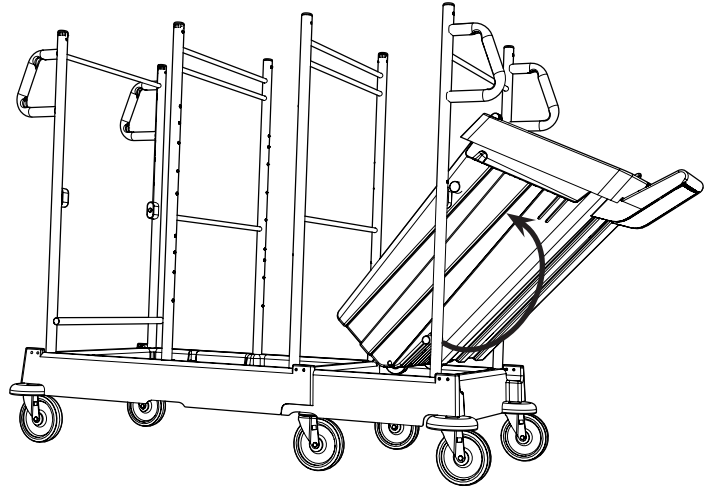
Page - 8-11



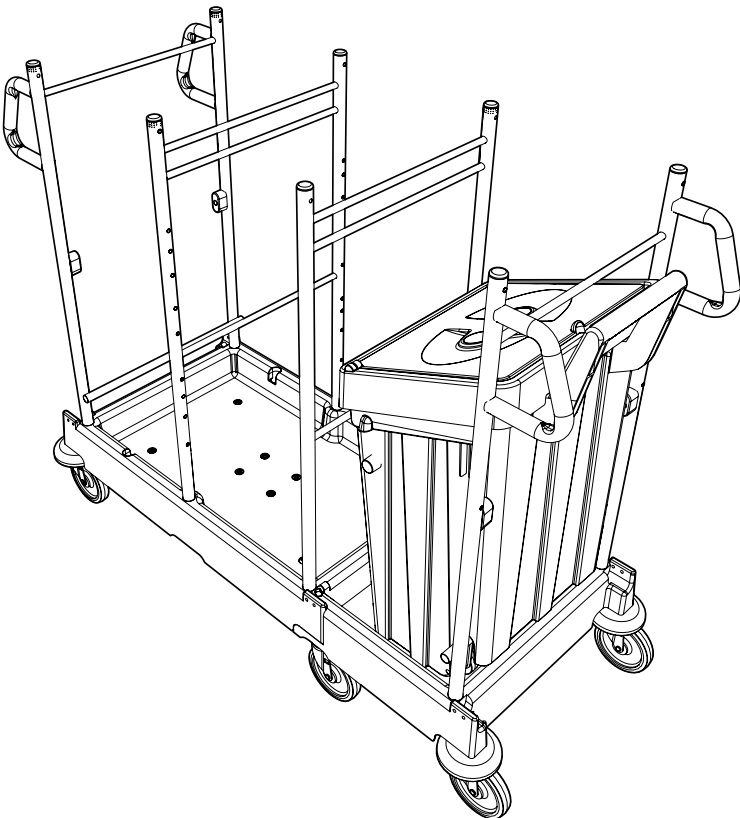
12



13



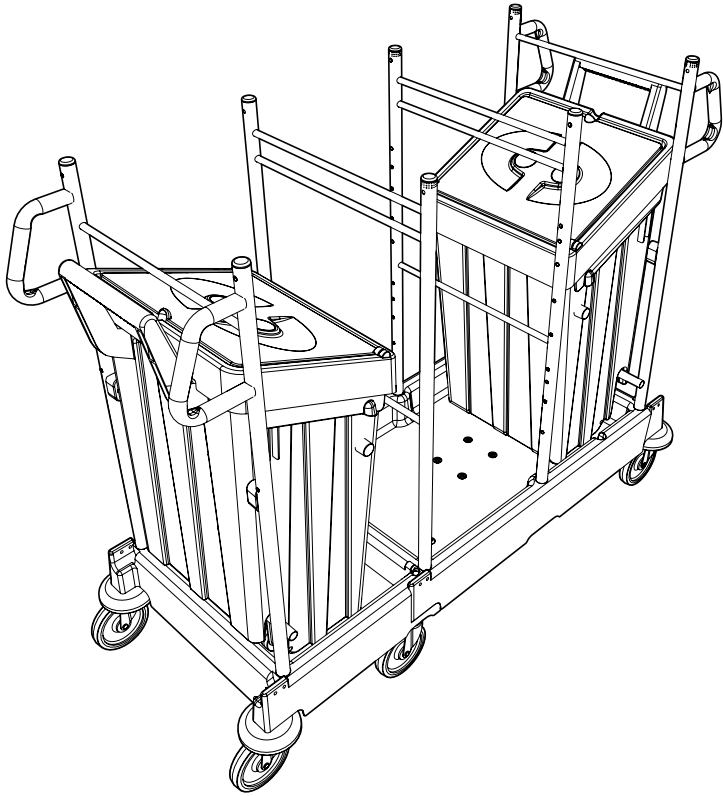
14



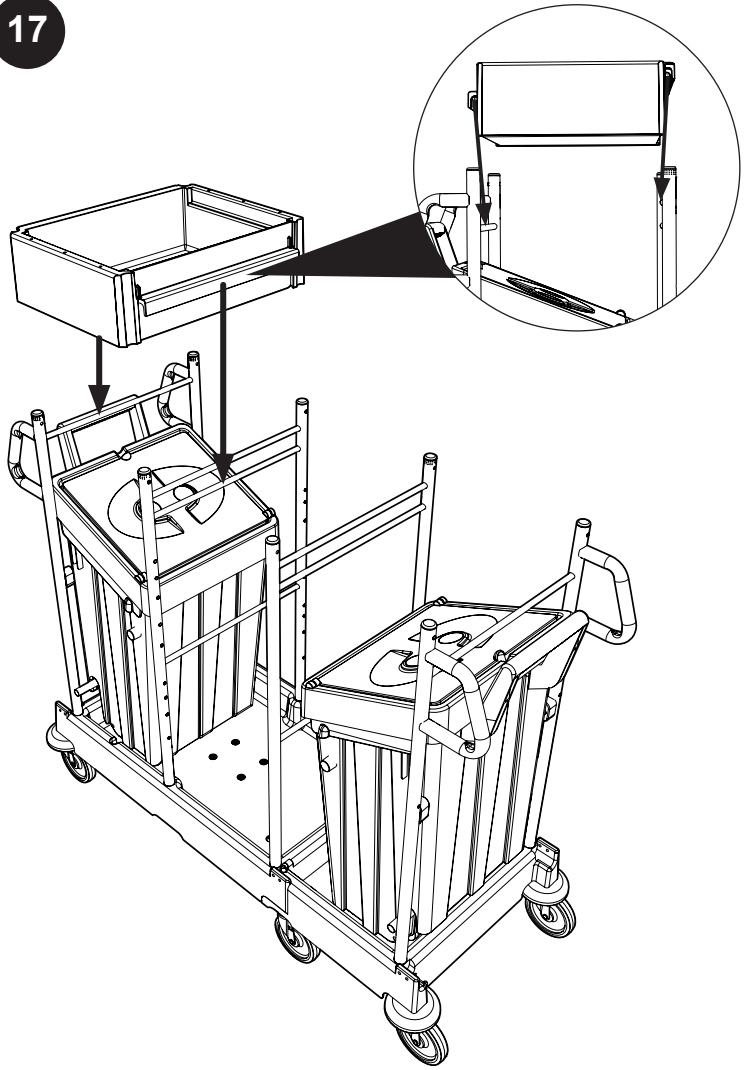
15



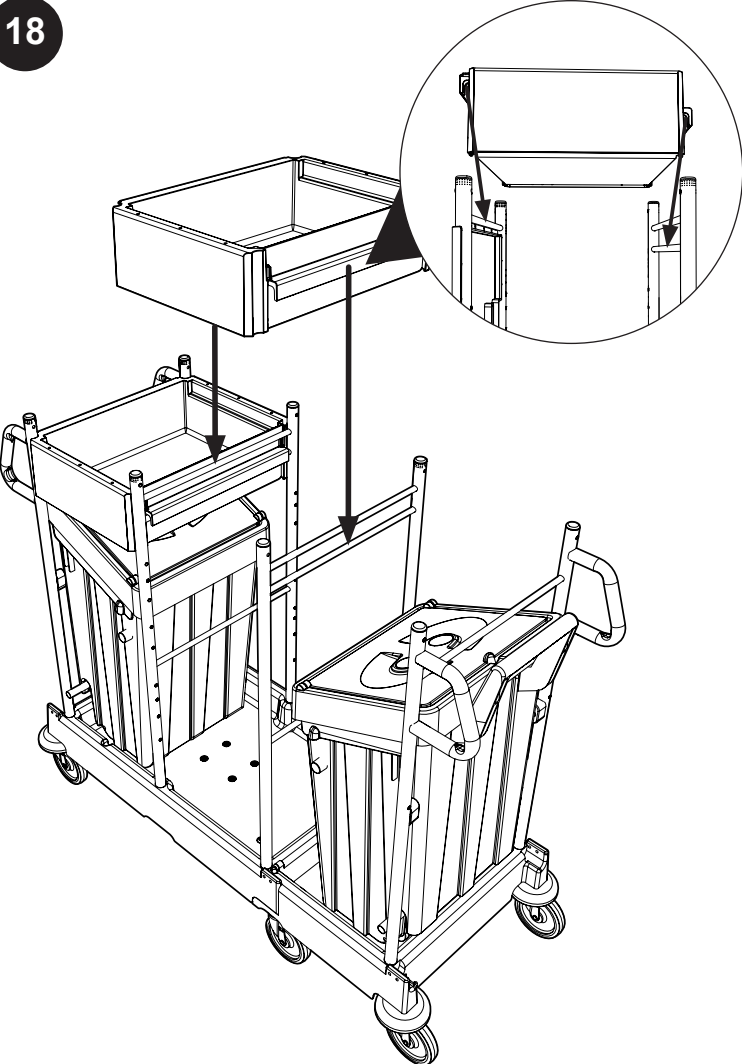
16



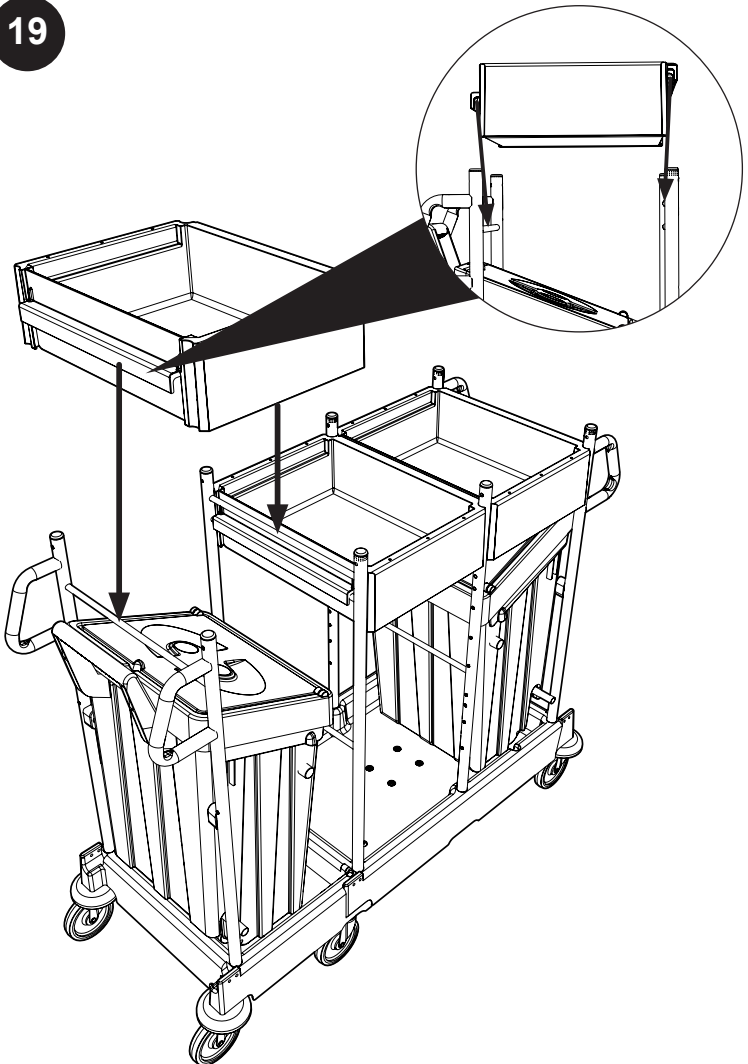
17



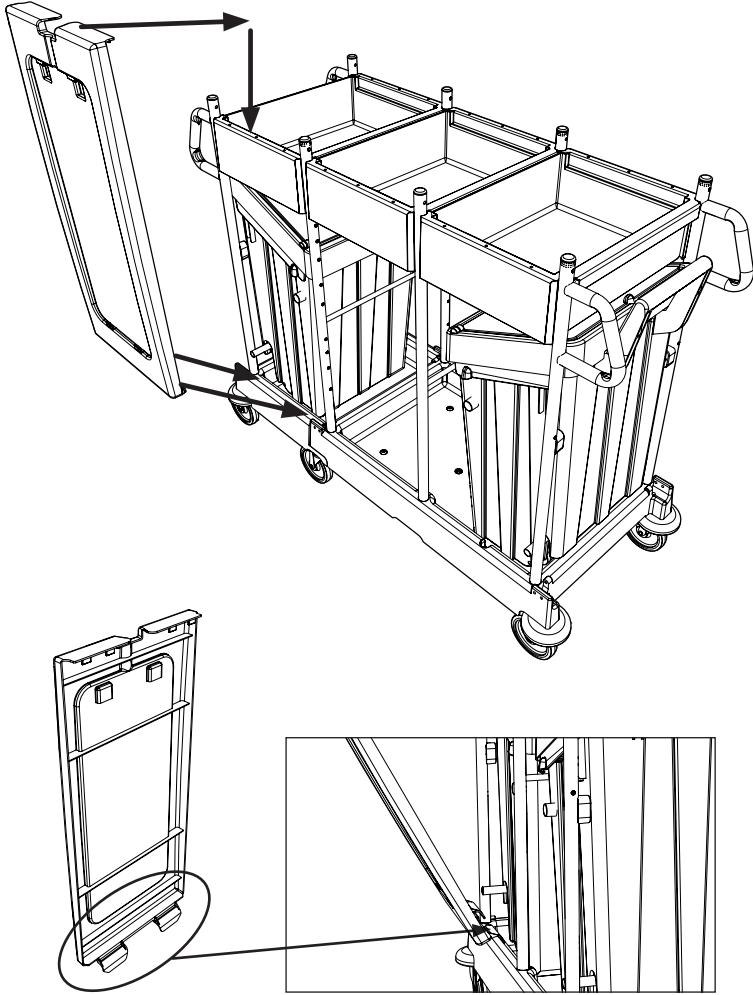
18



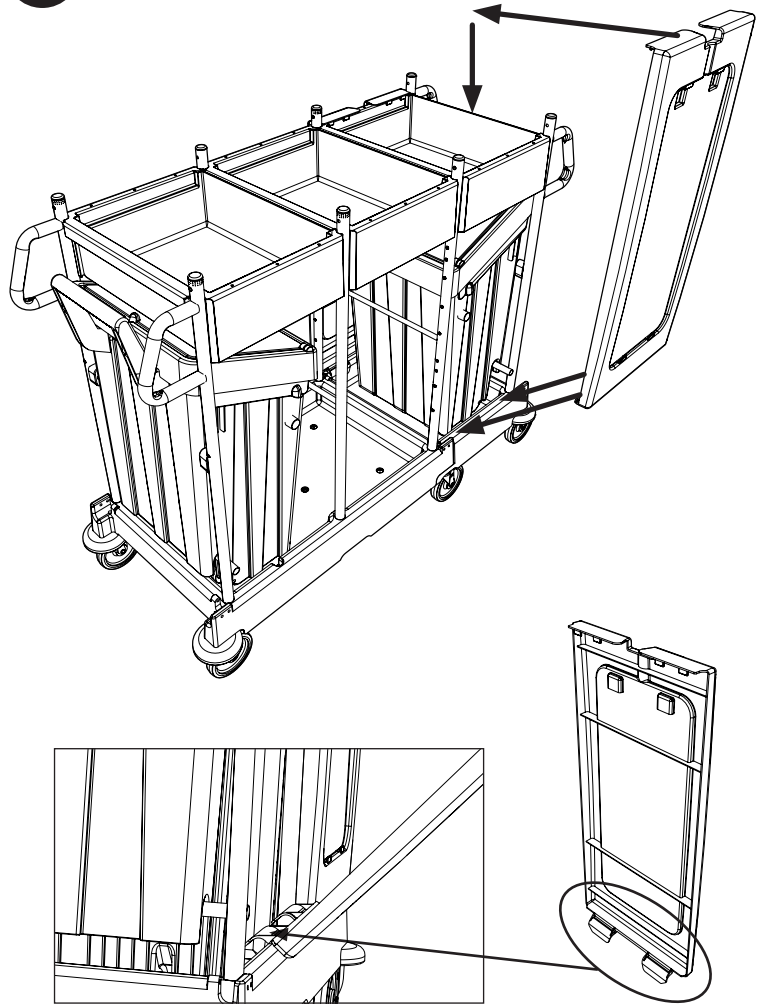
19



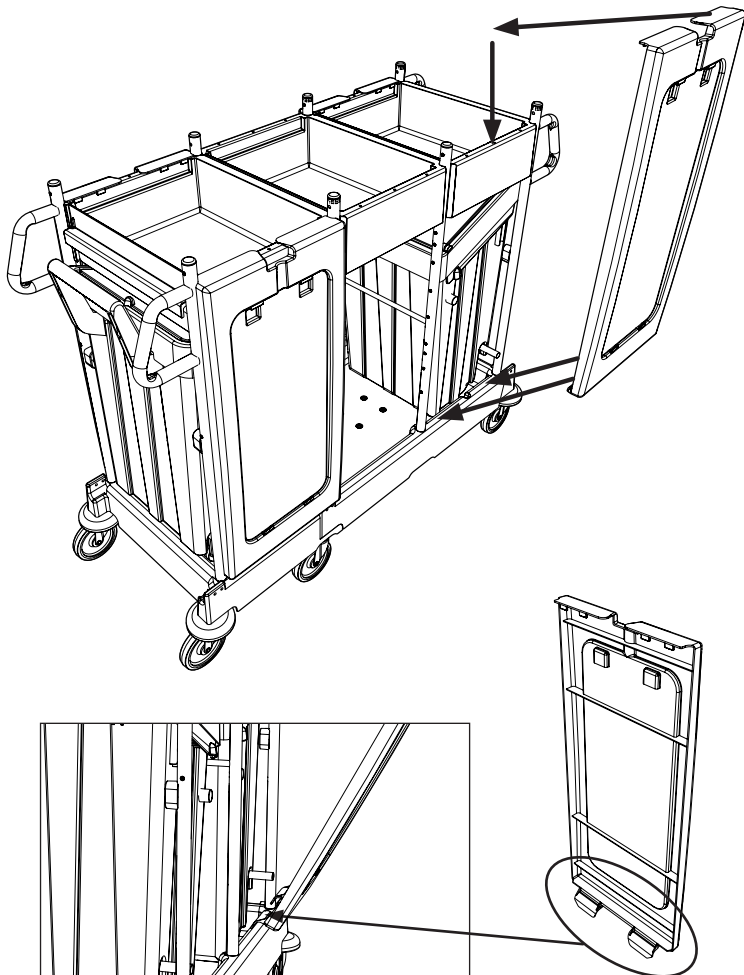
20



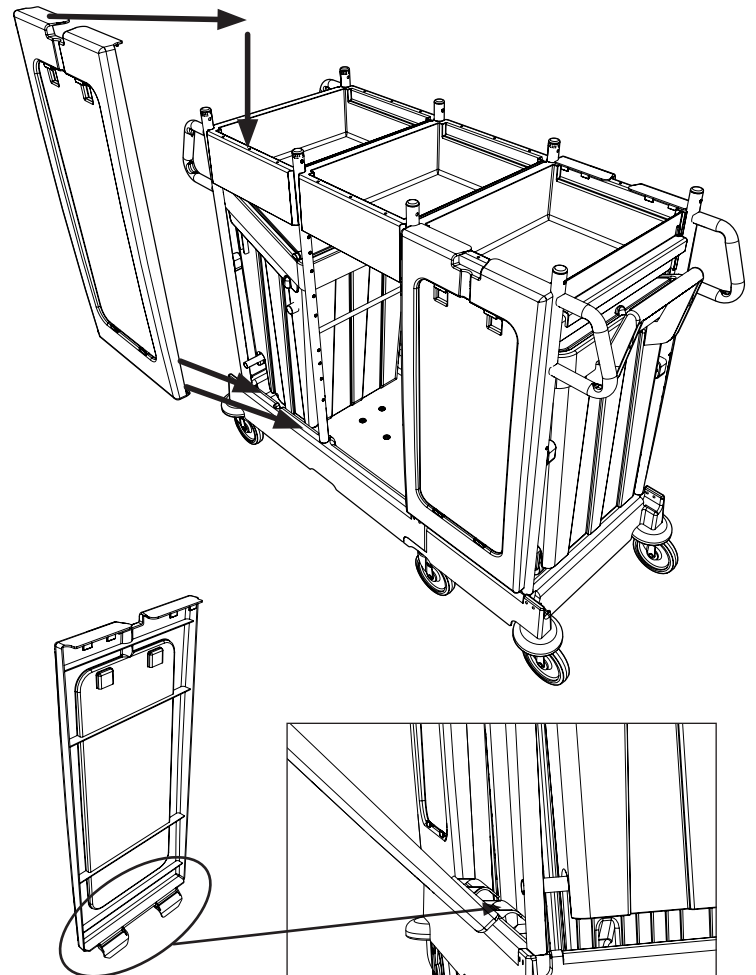
21



22



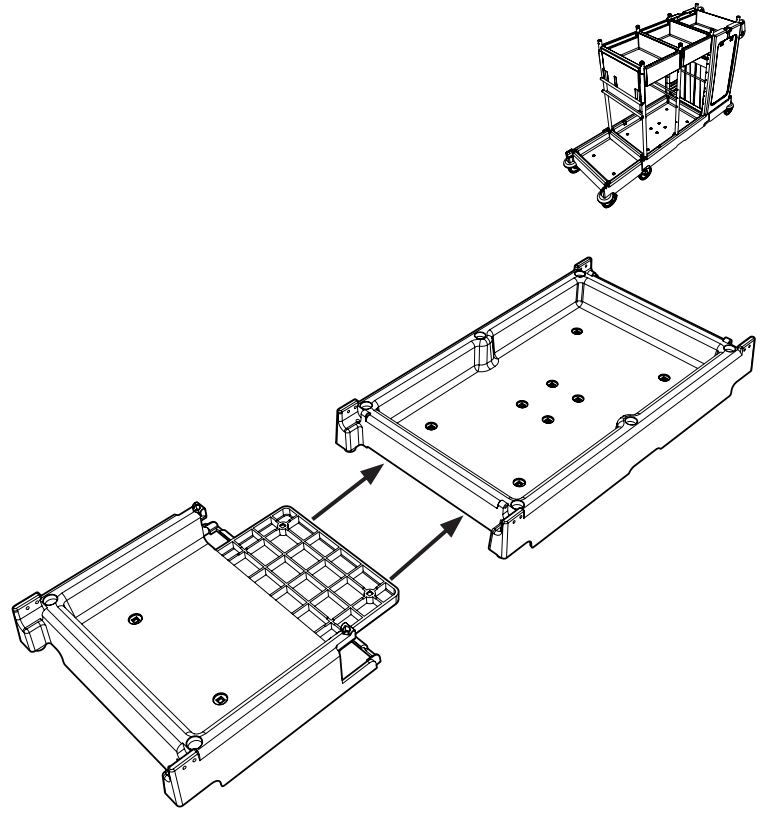
23



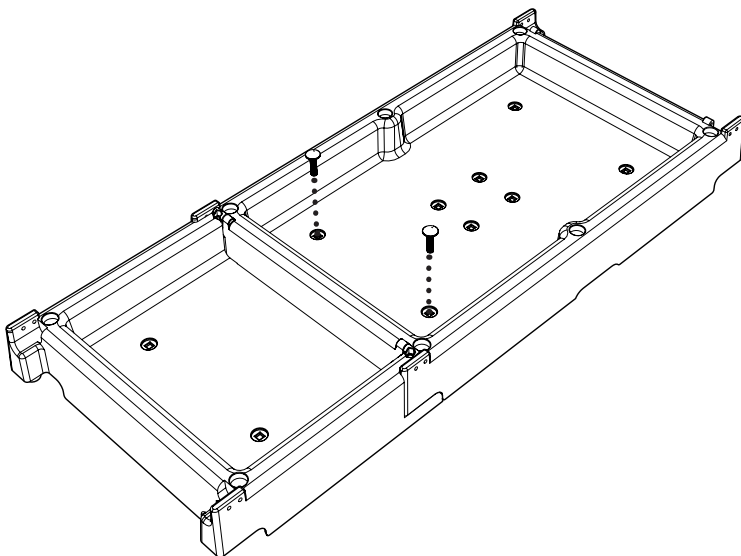
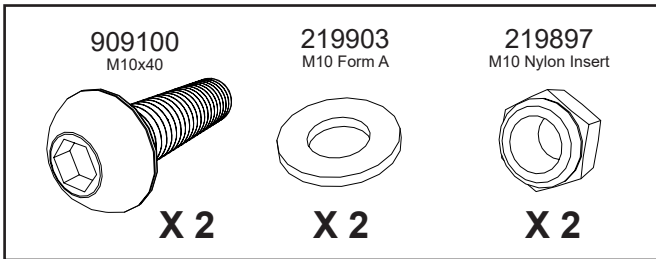


1

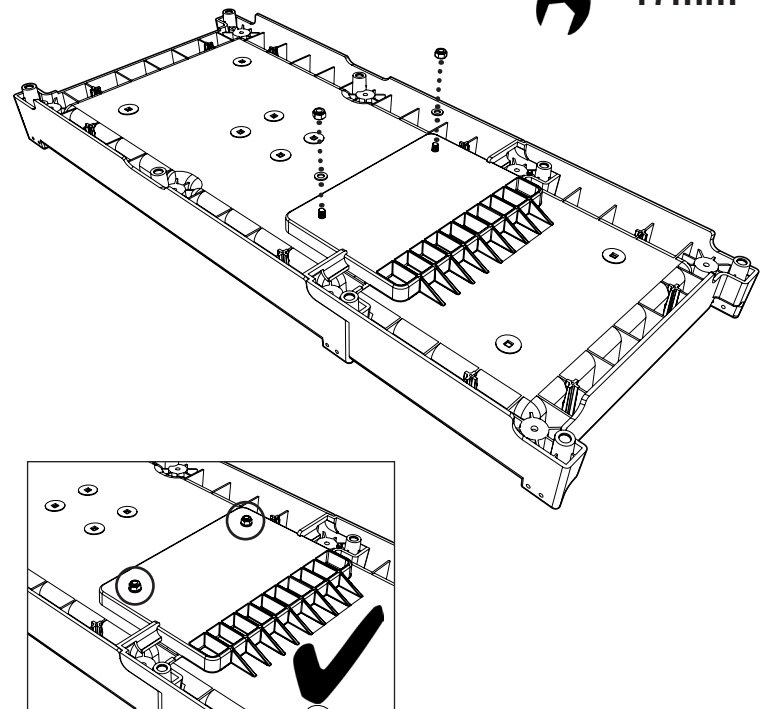
PM 30S Kit Boxes A / C / D



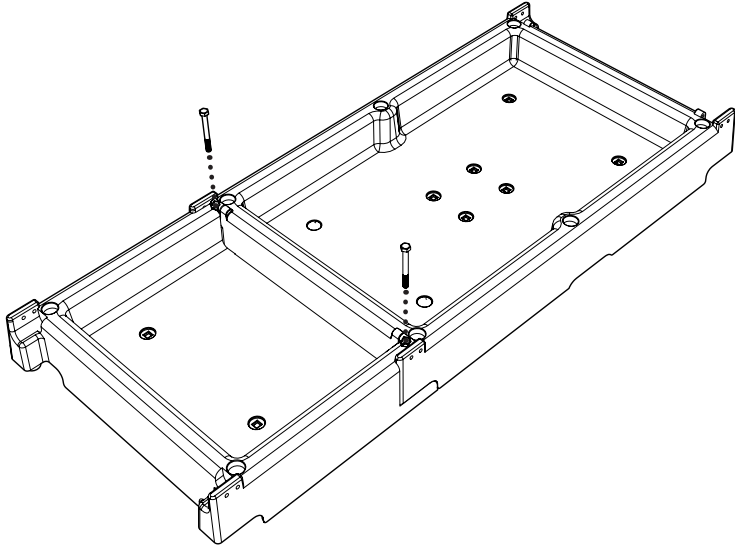
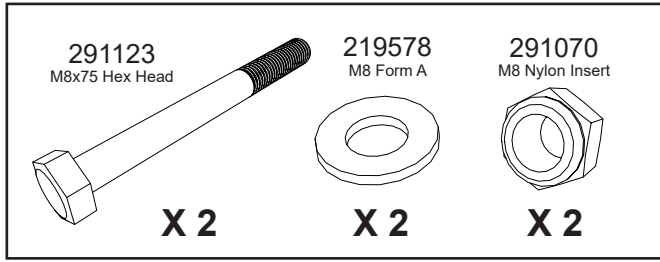
2



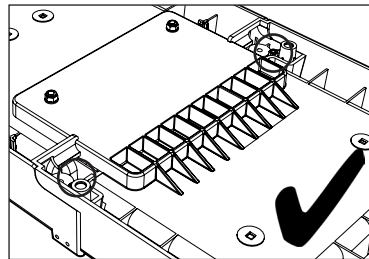
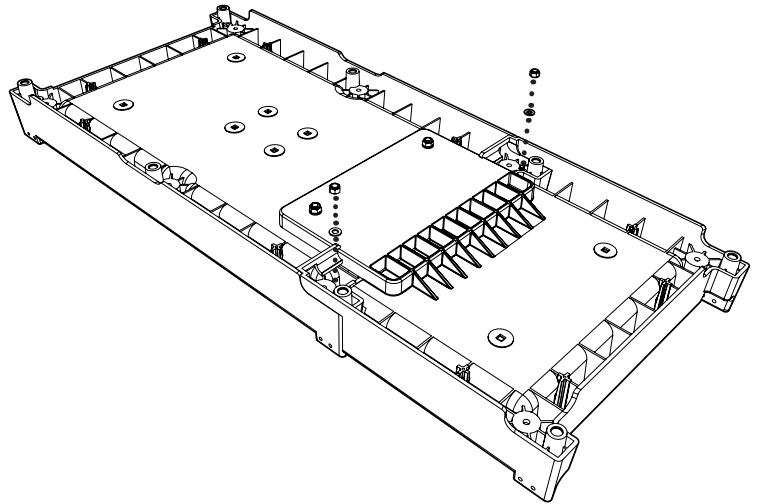
3



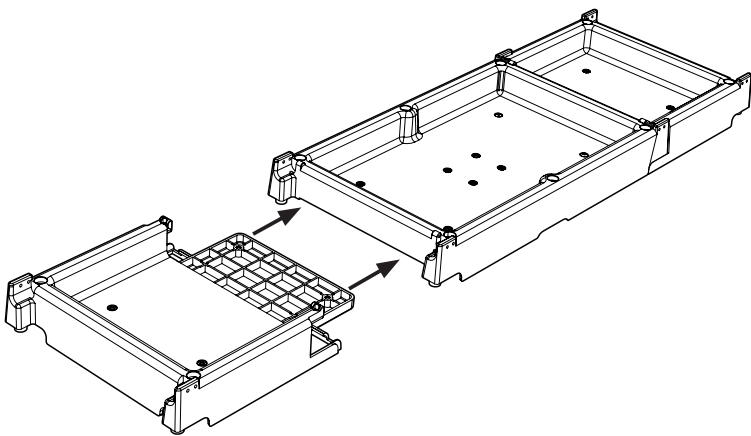
4



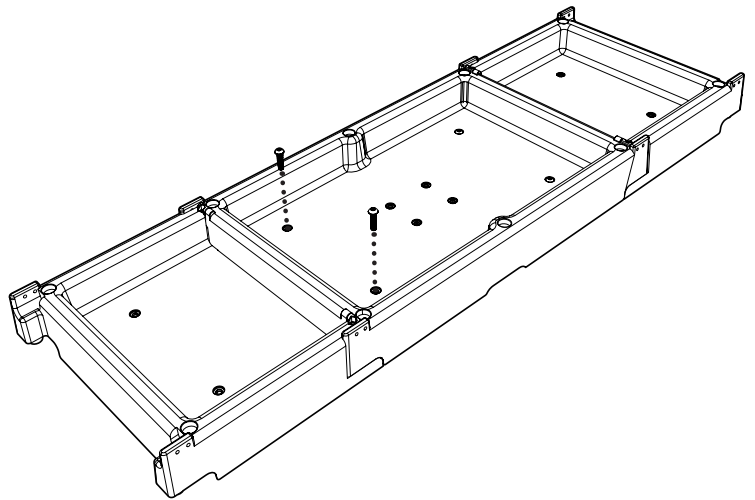
5



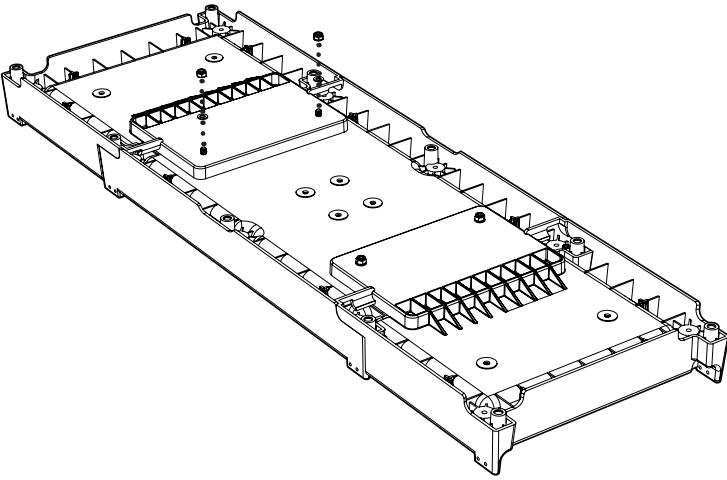
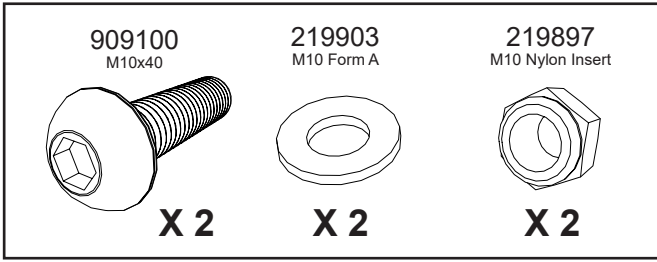
6



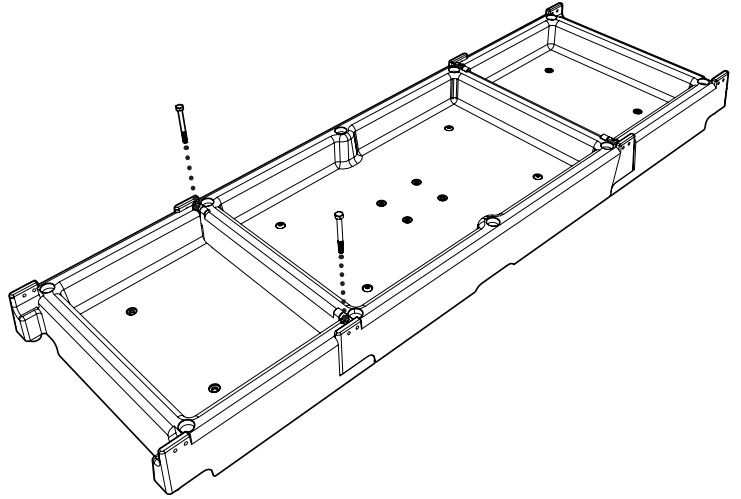
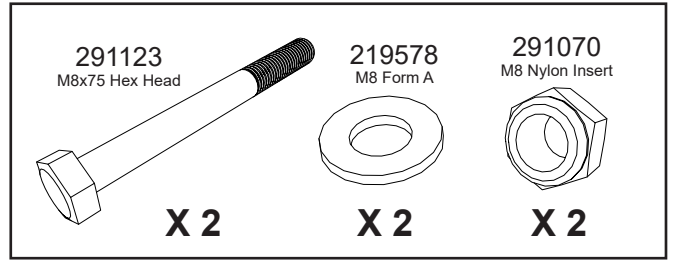
7



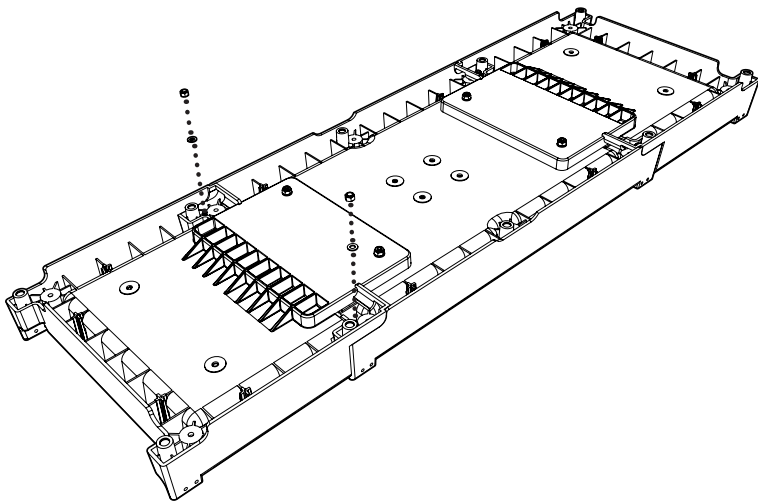
8



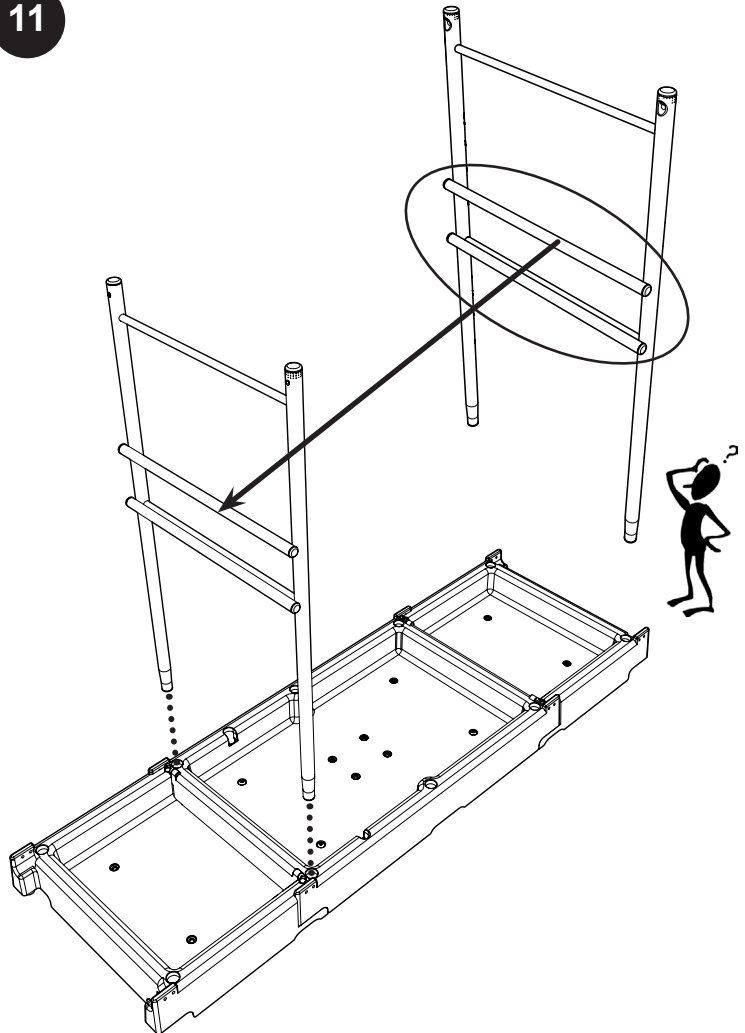
9



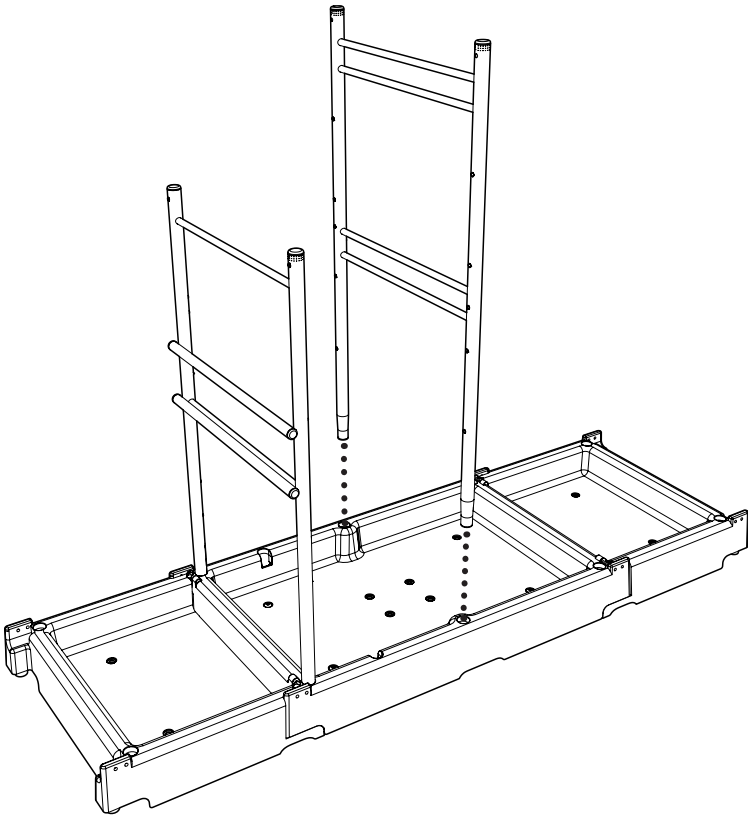
10



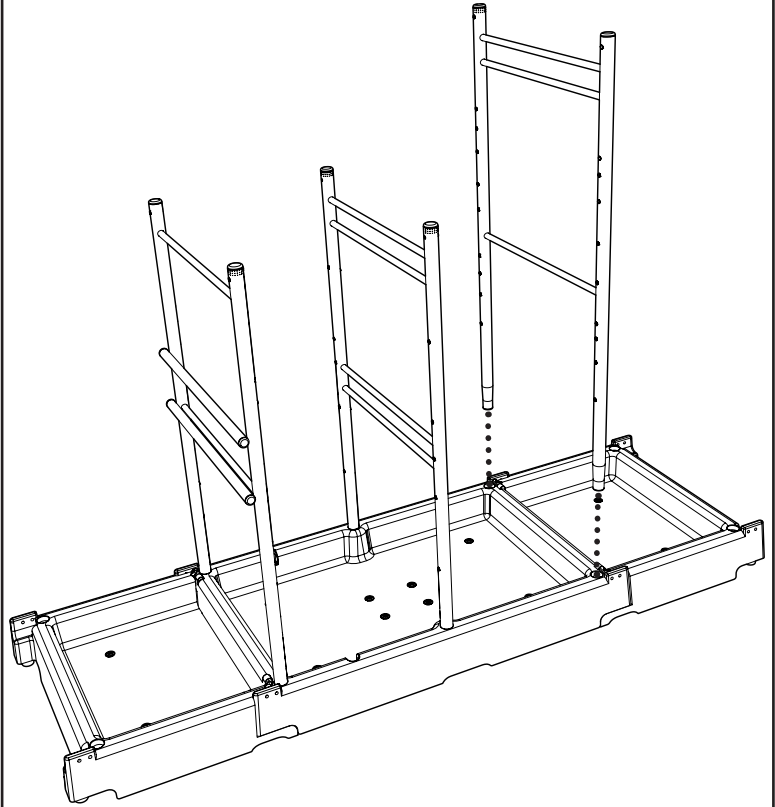
11



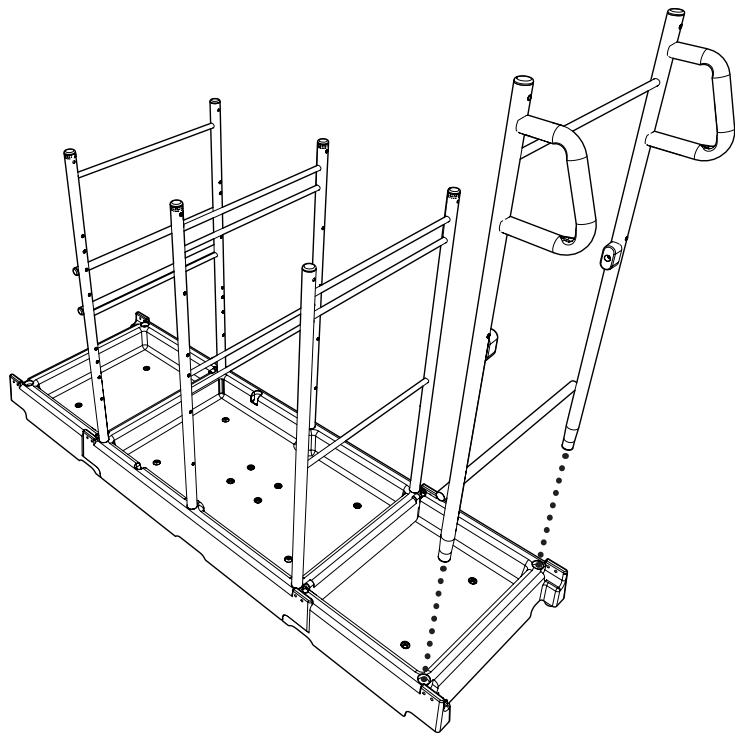
12



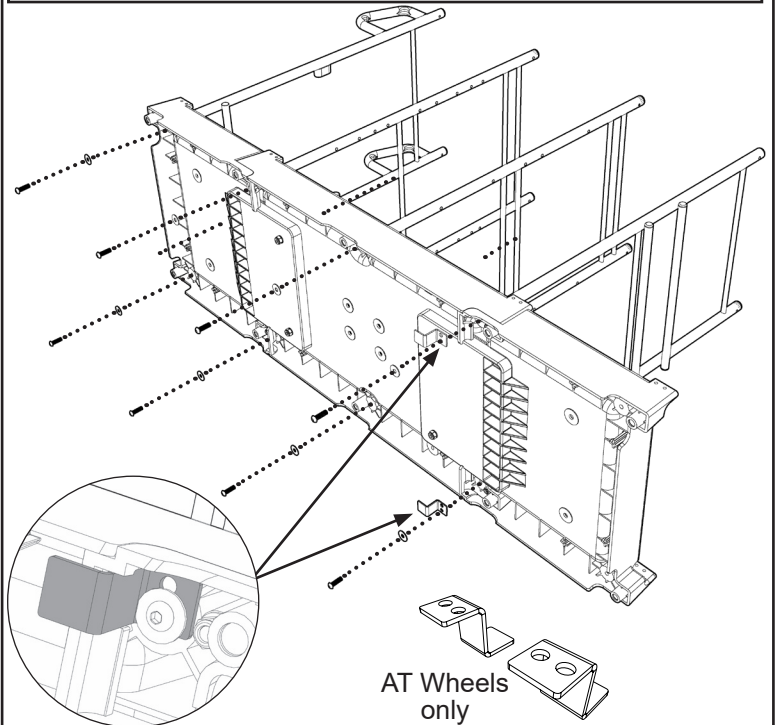
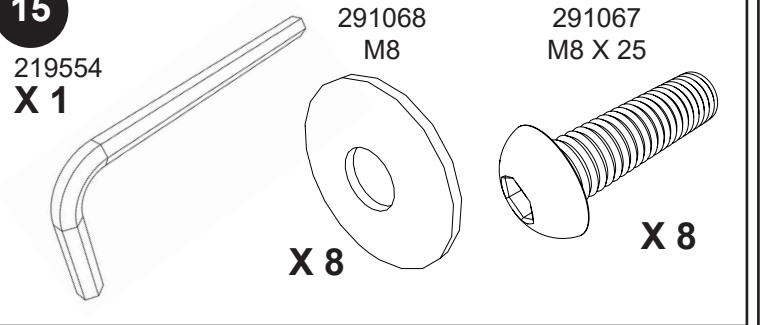
13



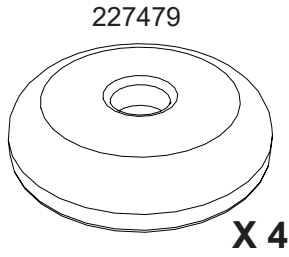
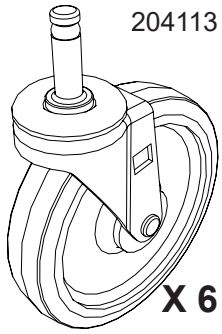
14



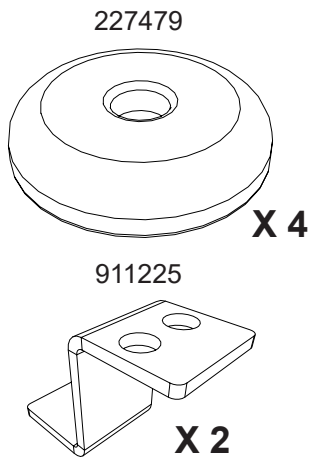
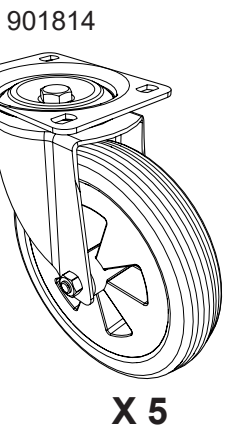
15



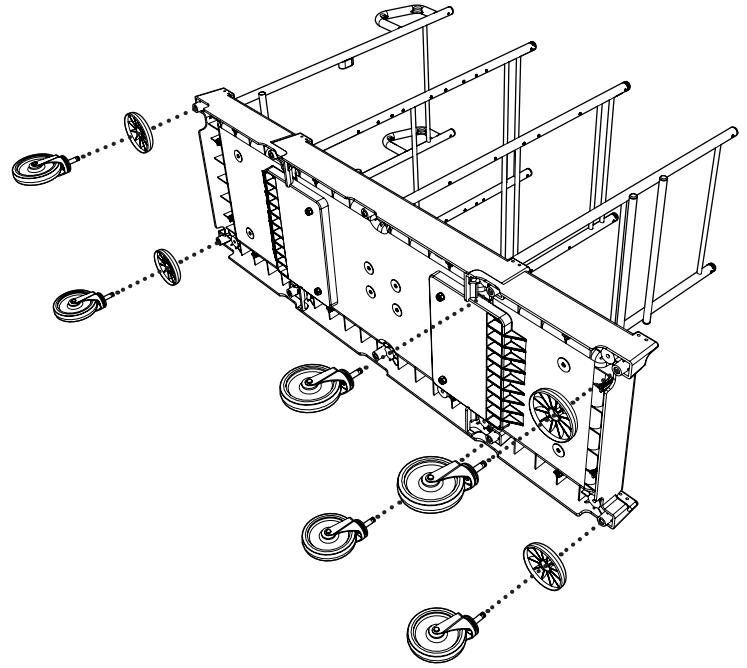
16



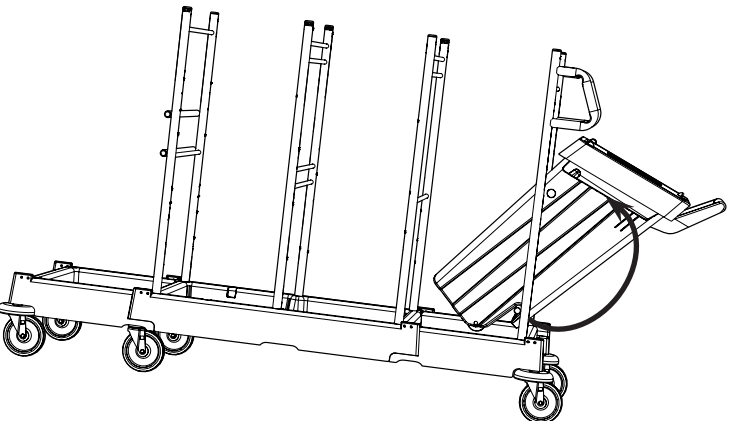
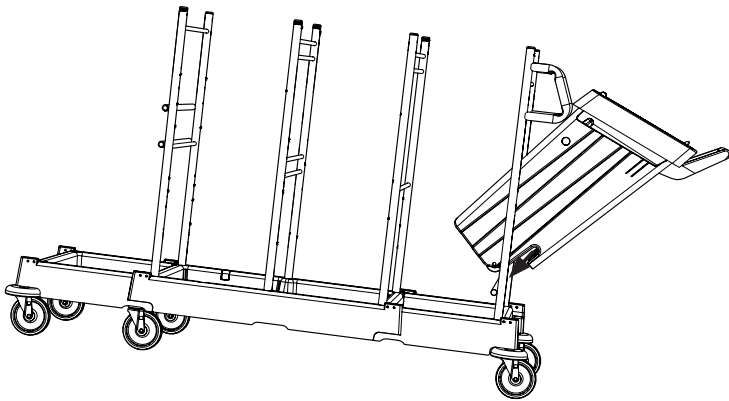
Page - 8-11



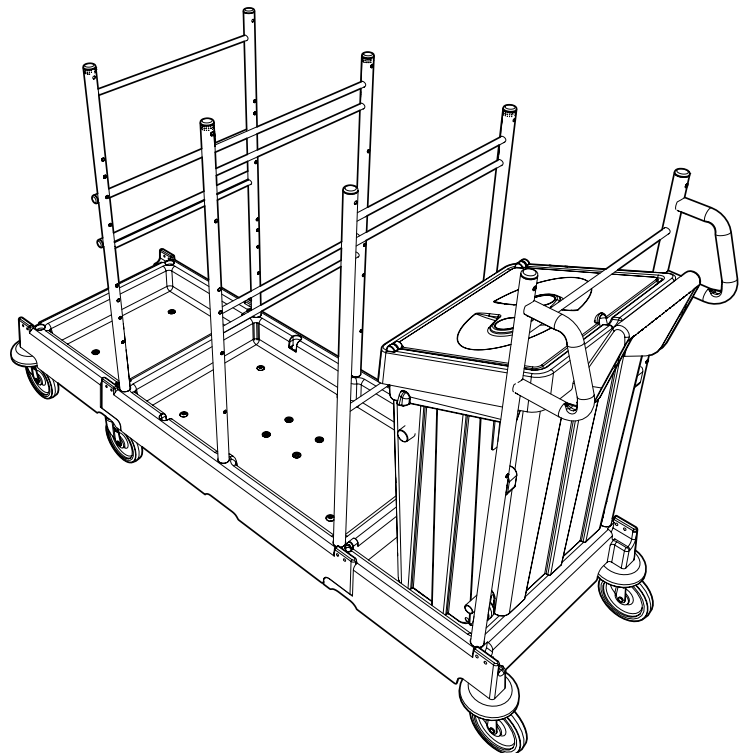
17



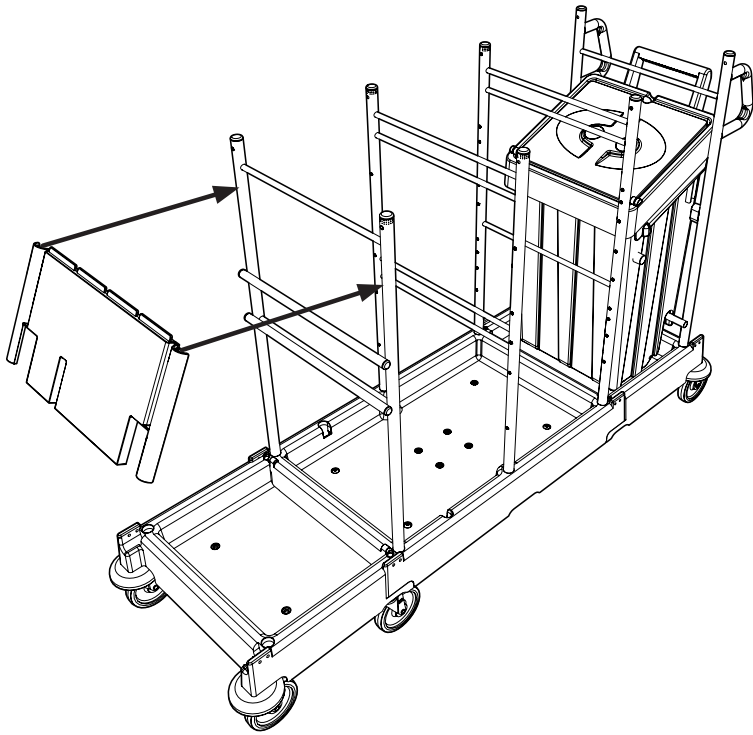
18



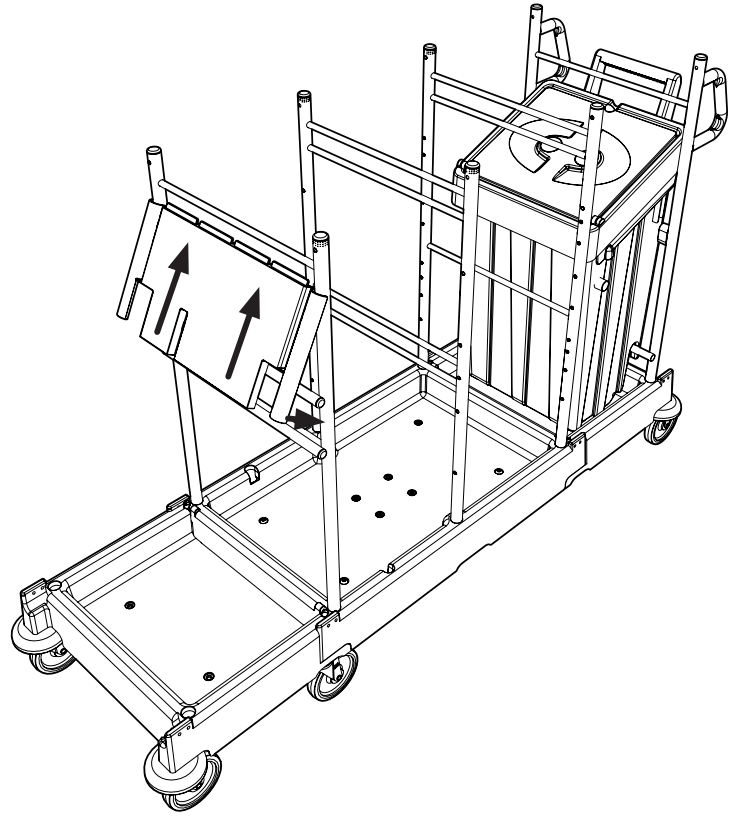
19



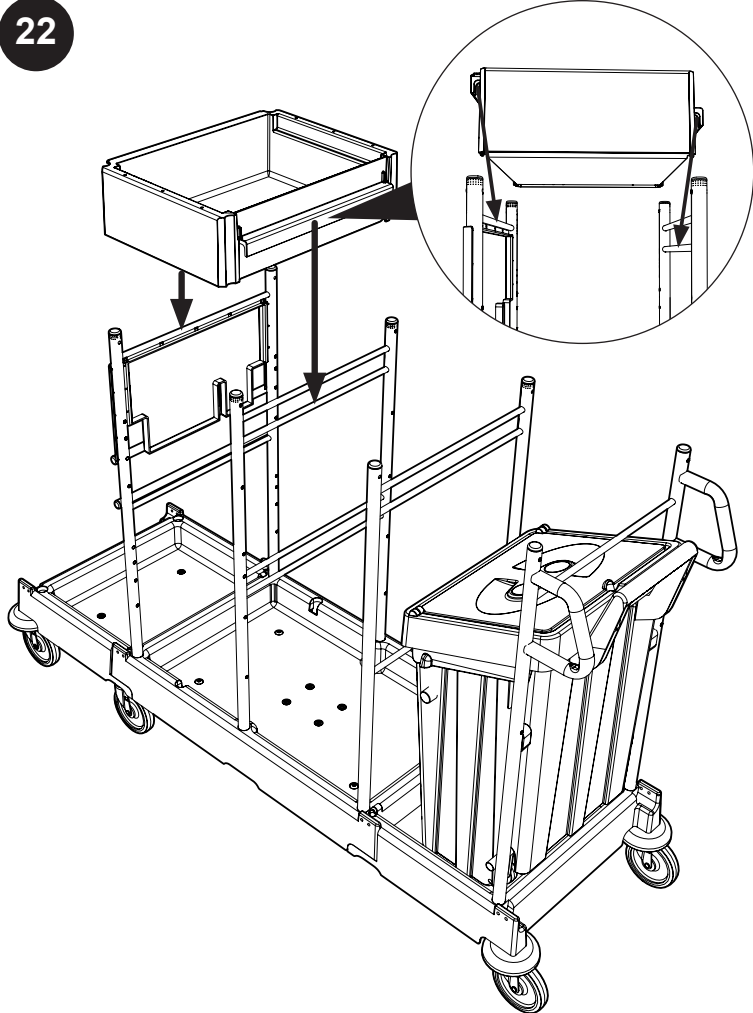
20



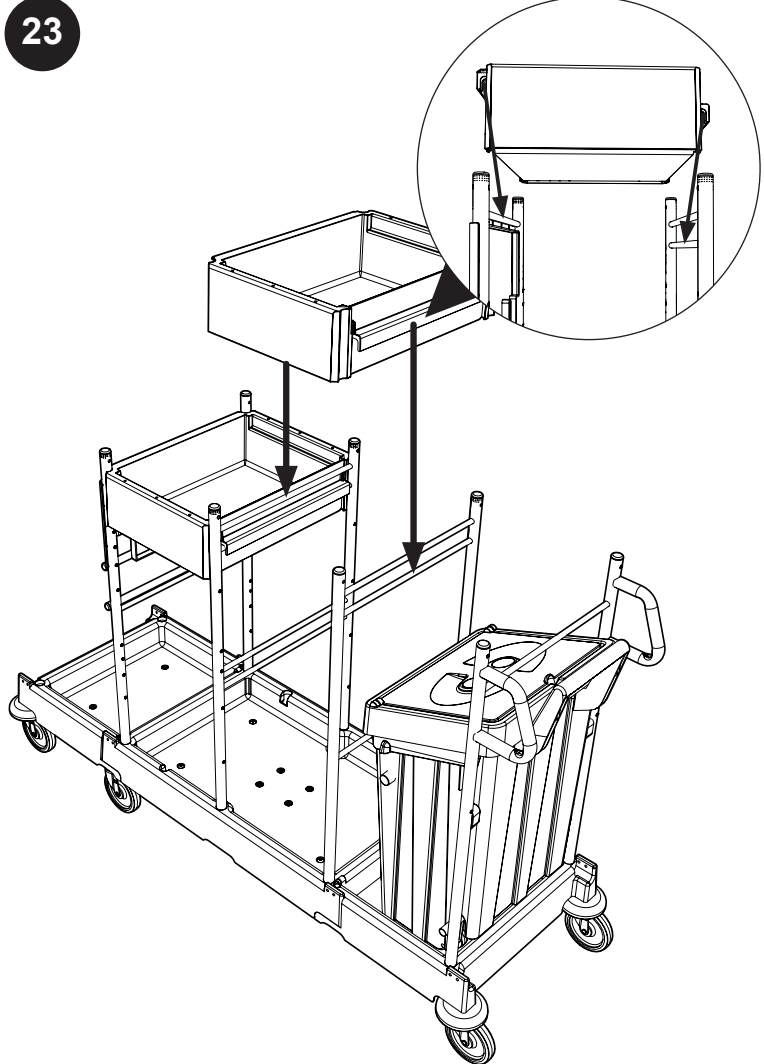
21



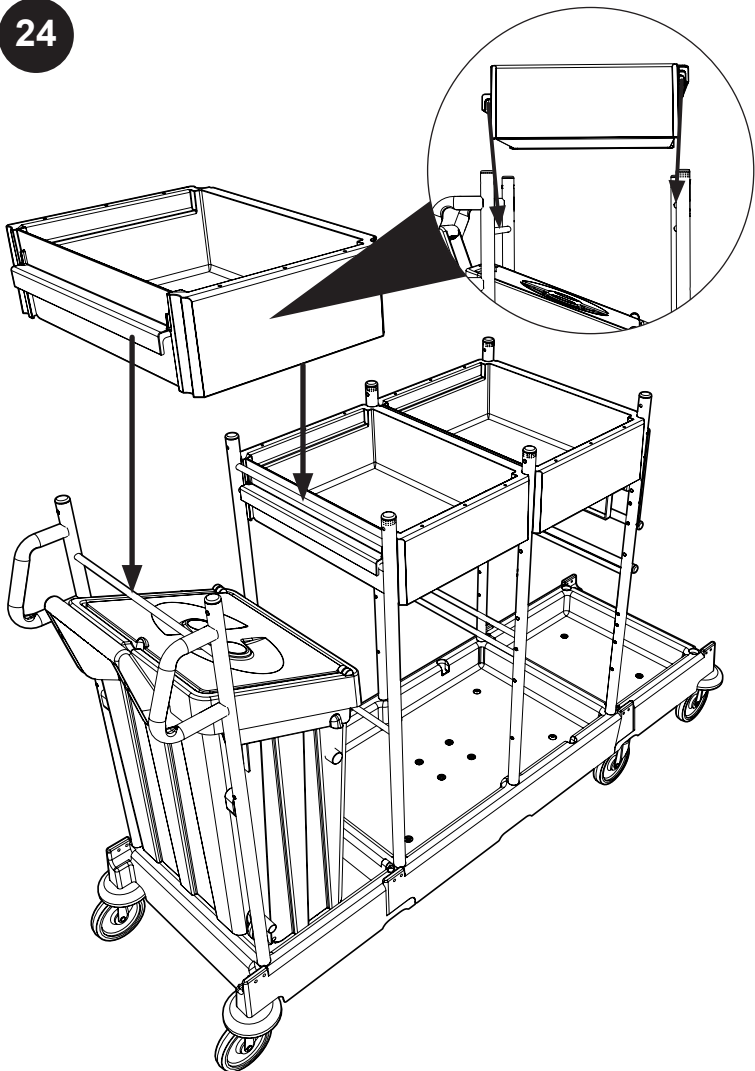
22



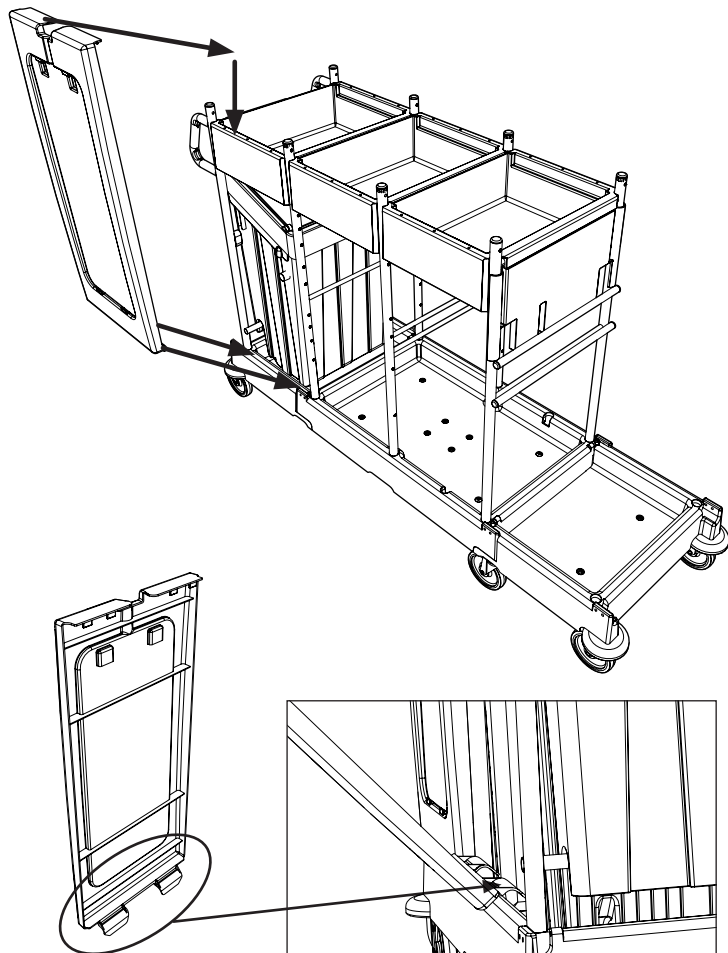
23



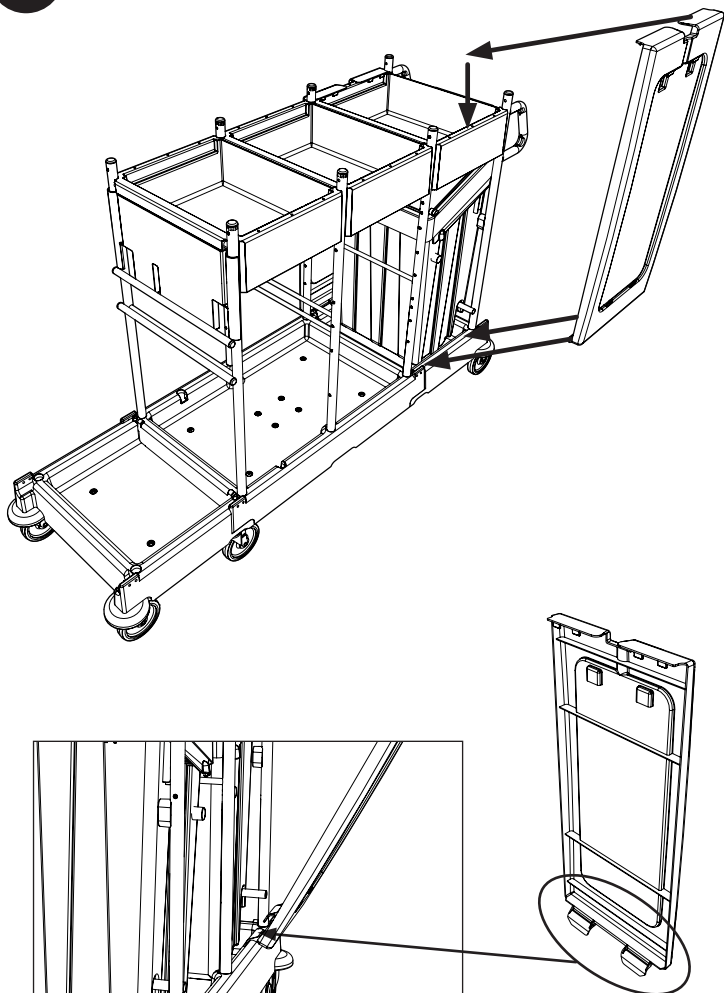
24



25

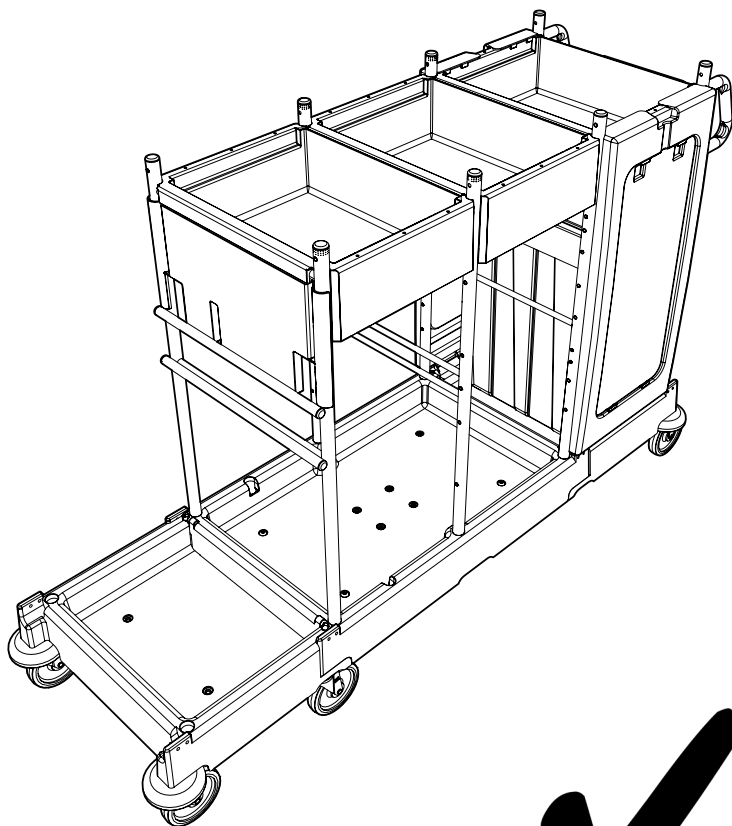


26

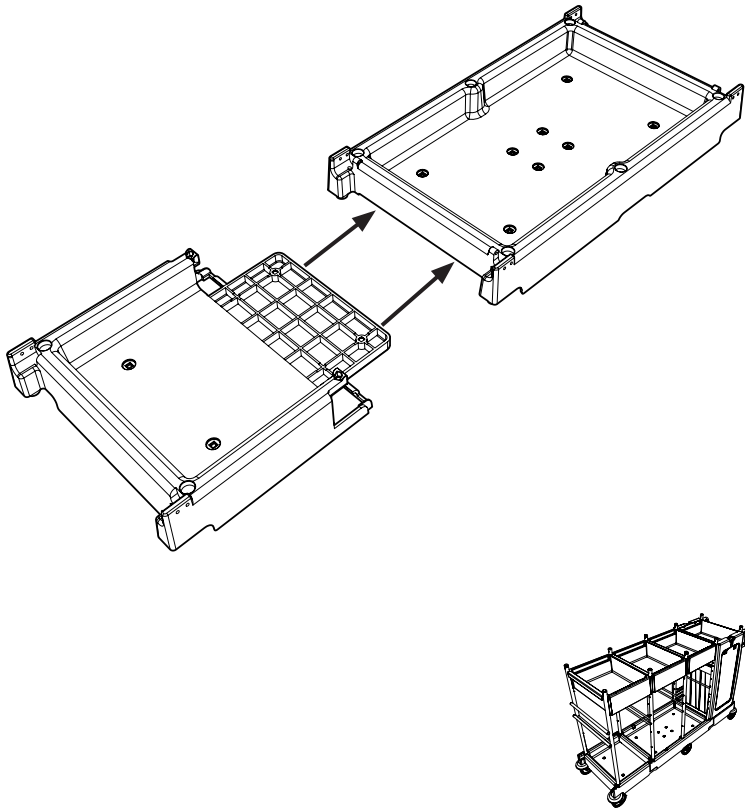


27

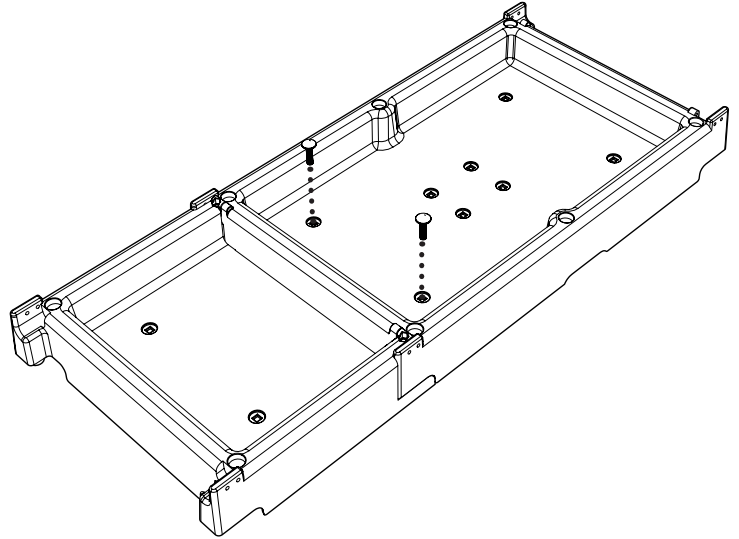
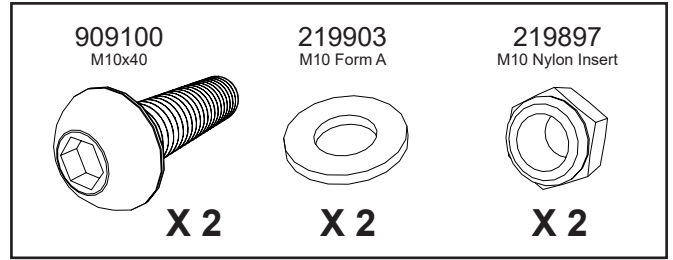
PM 30S



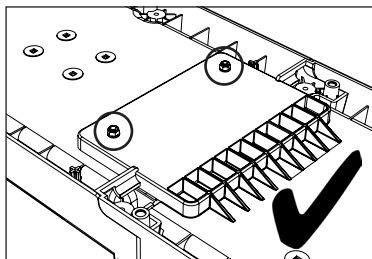
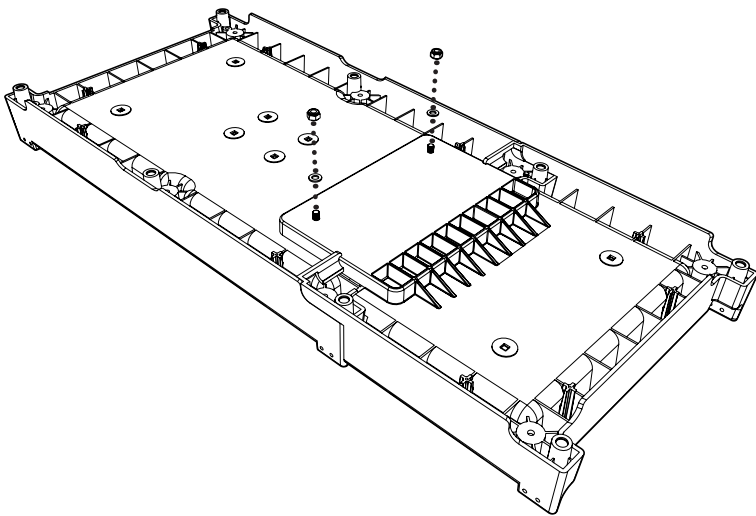
1 PM 31S Kit Boxes A / C / D / G



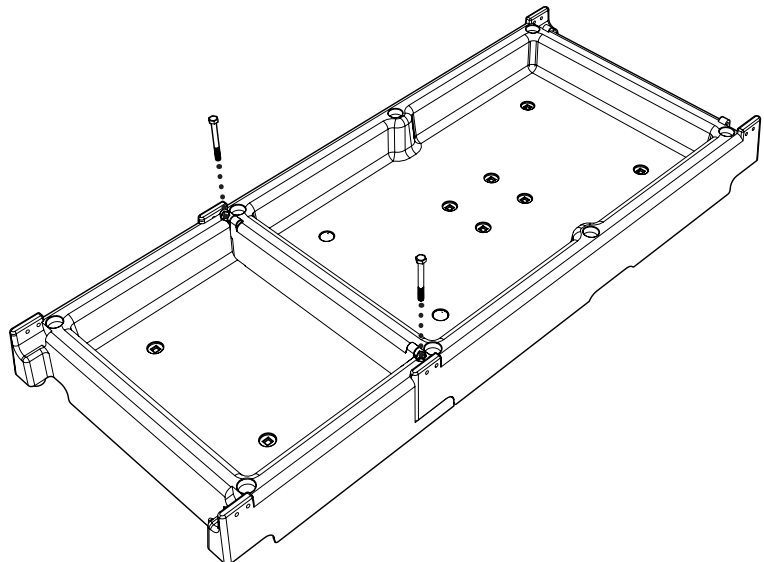
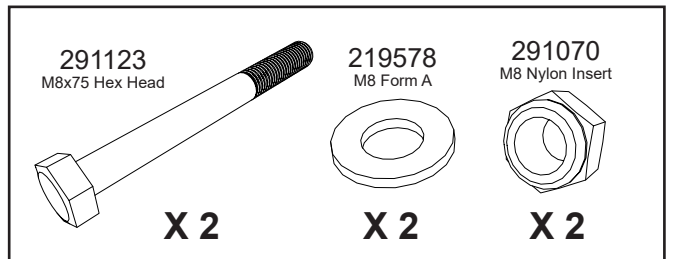
2



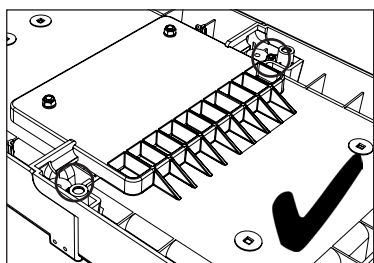
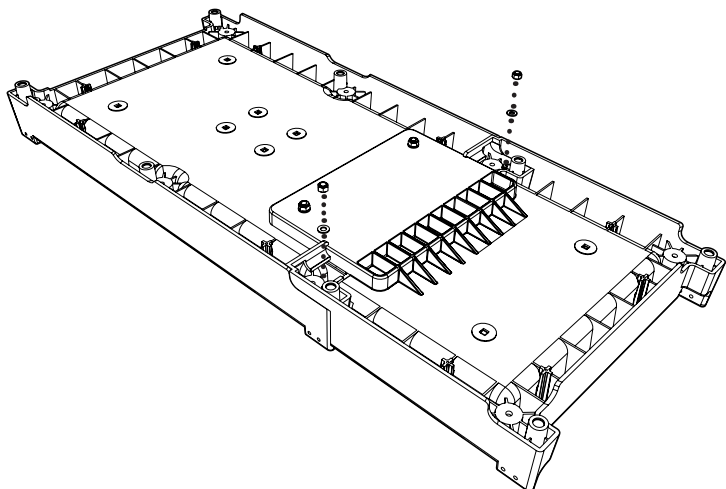
3



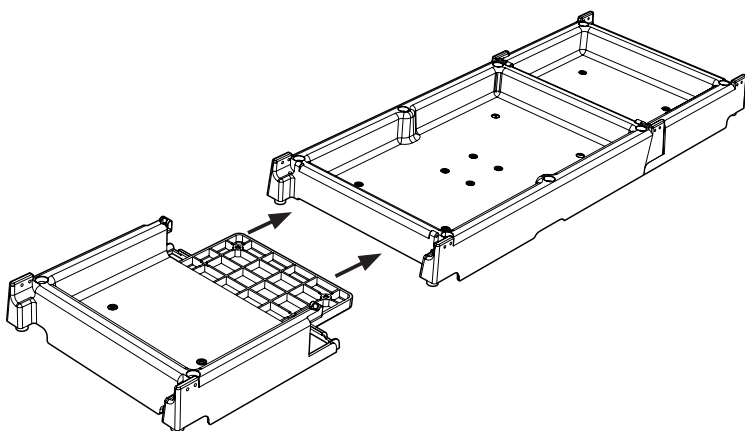
4



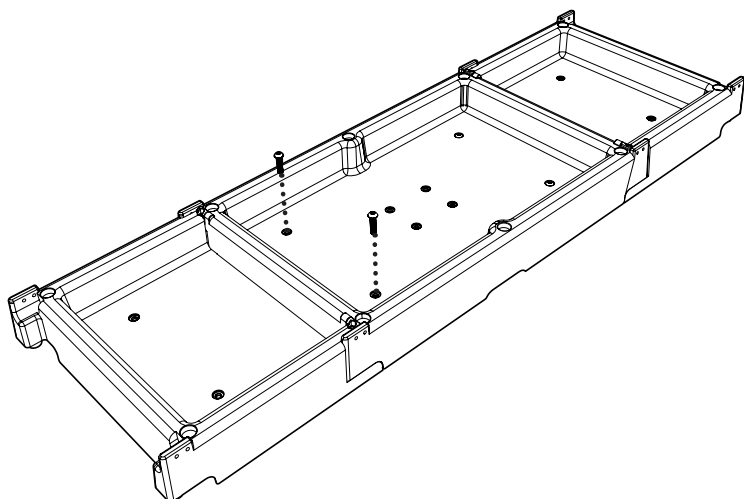
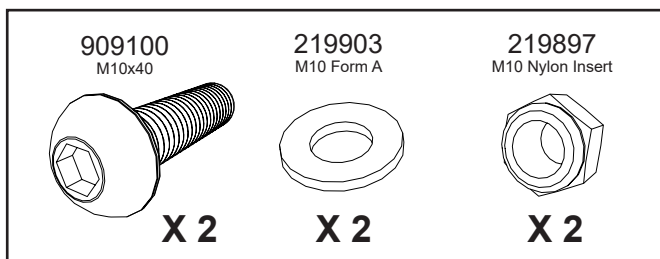
5



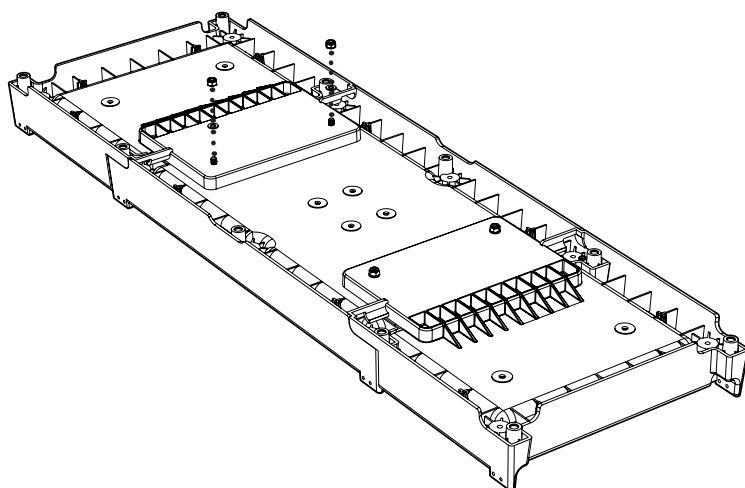
6



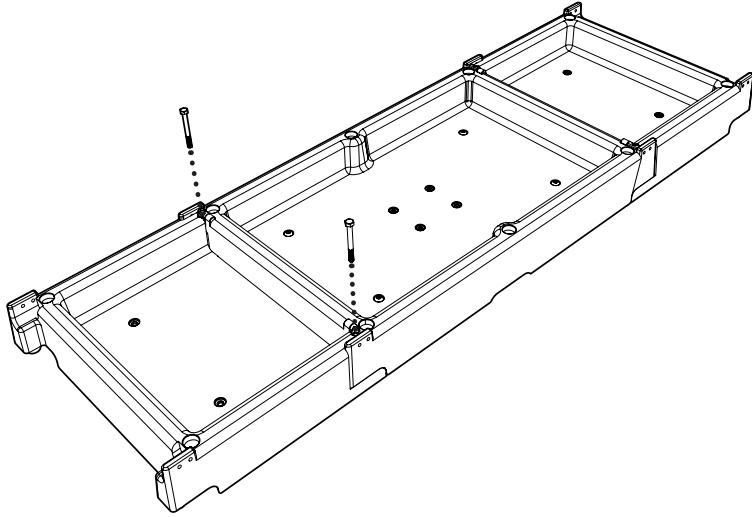
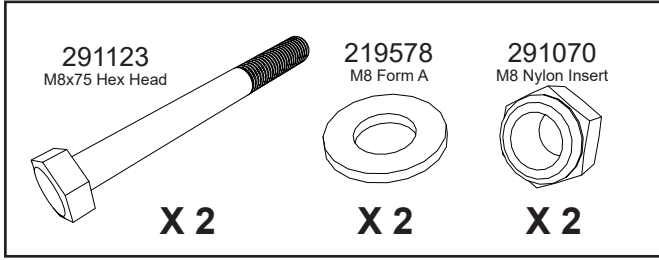
7



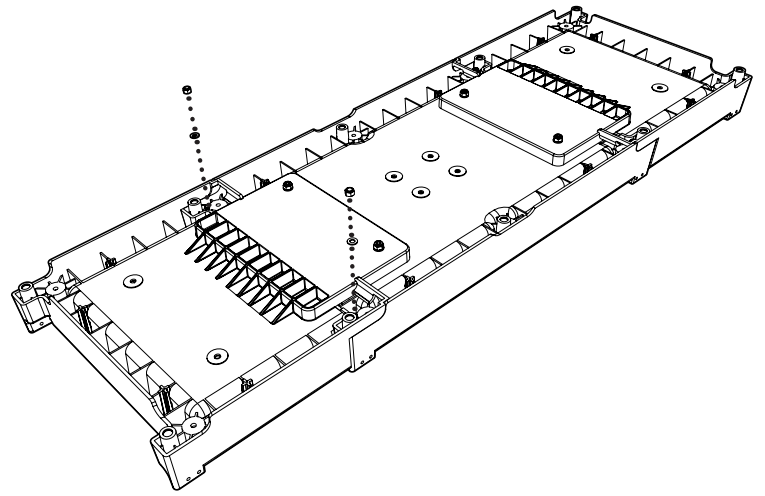
8



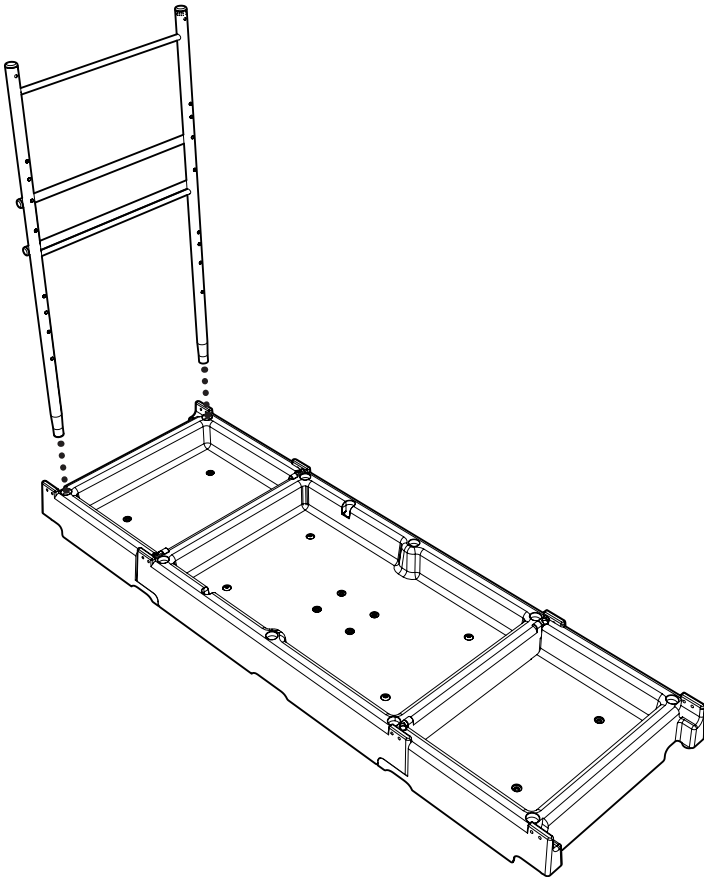
9



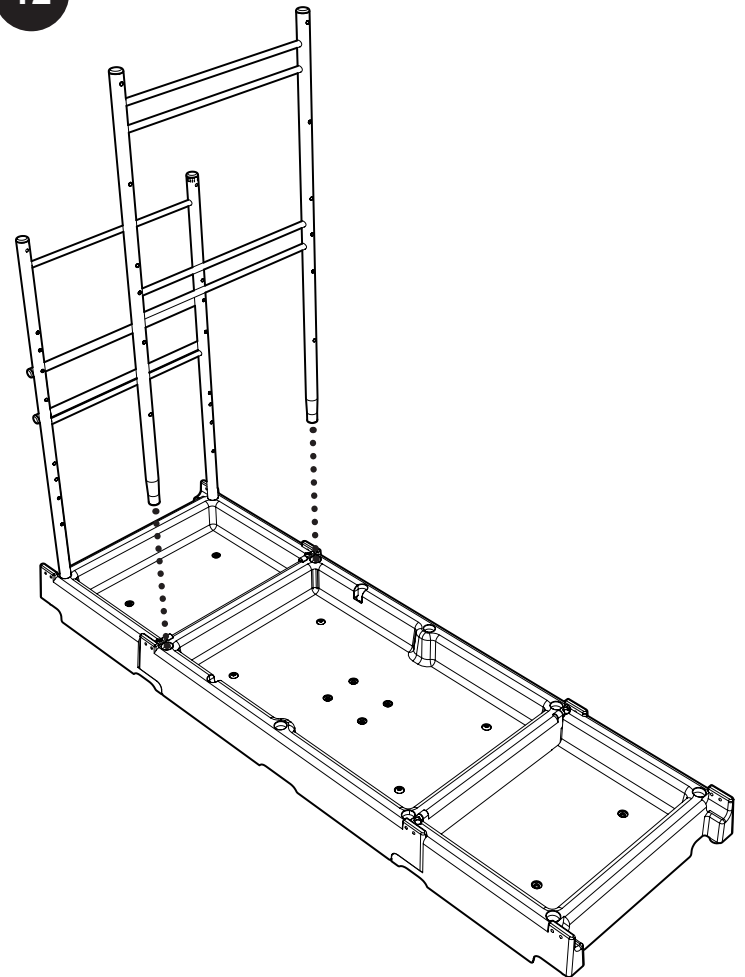
10



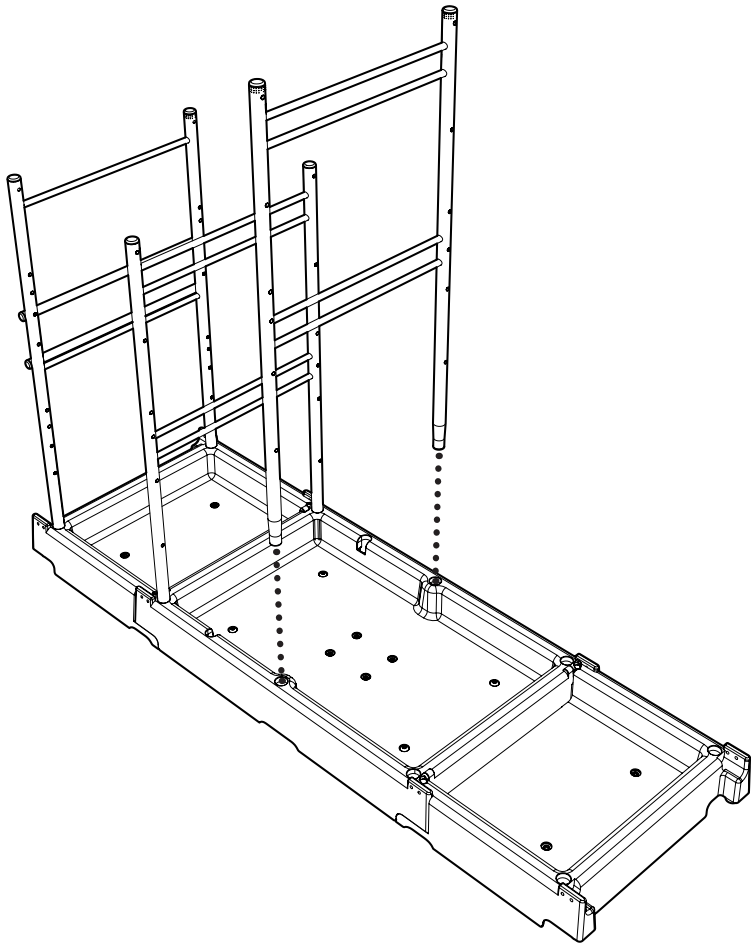
11



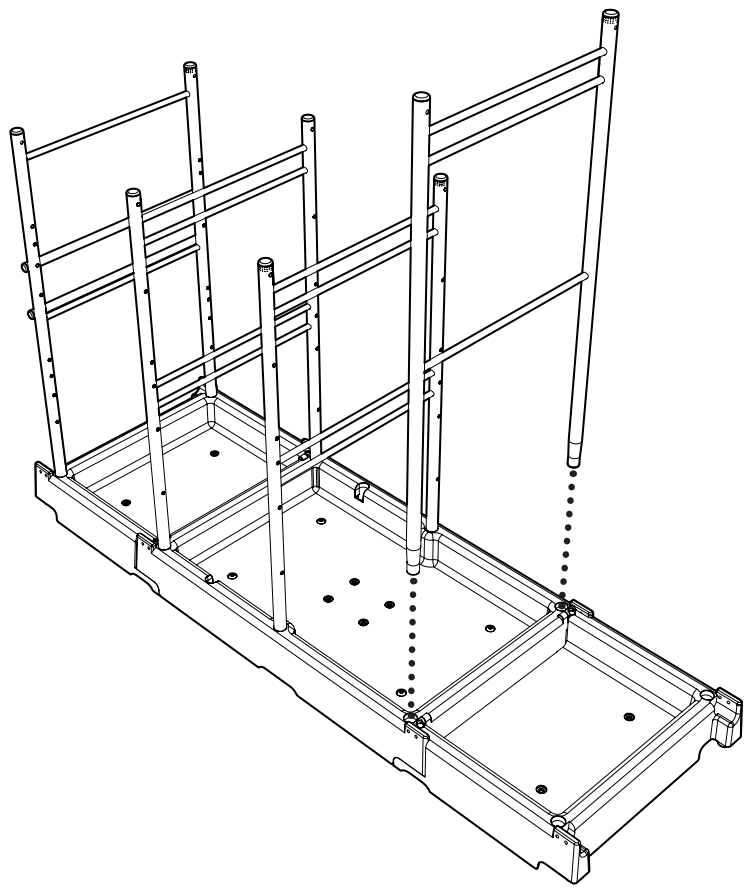
12



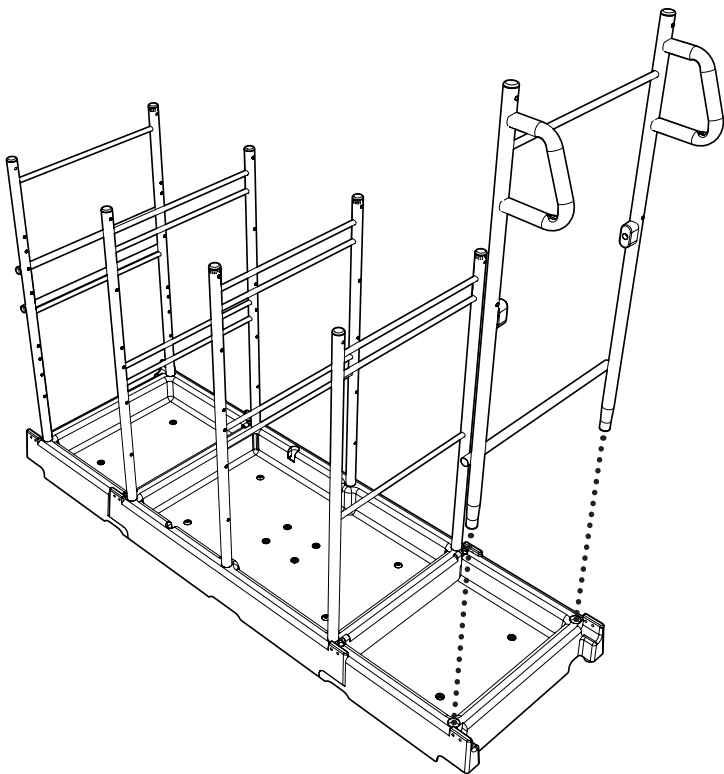
13



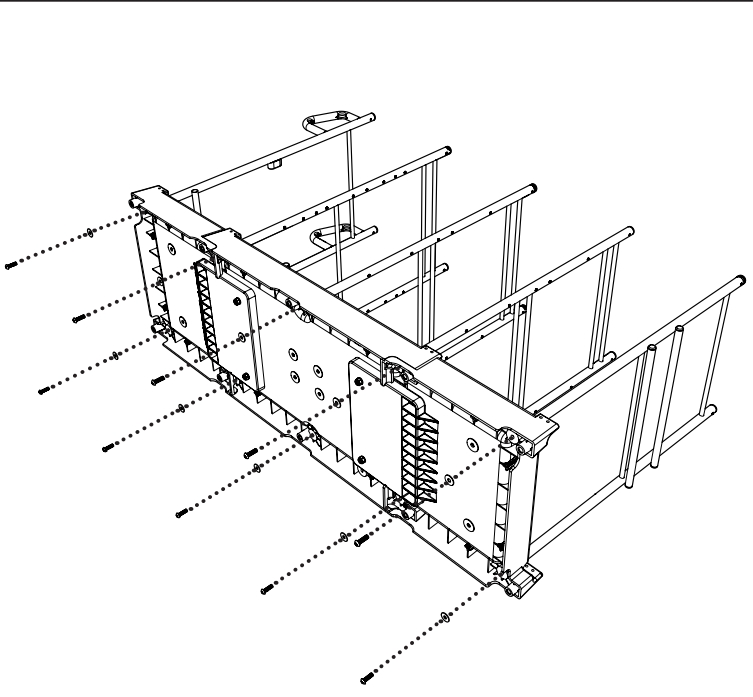
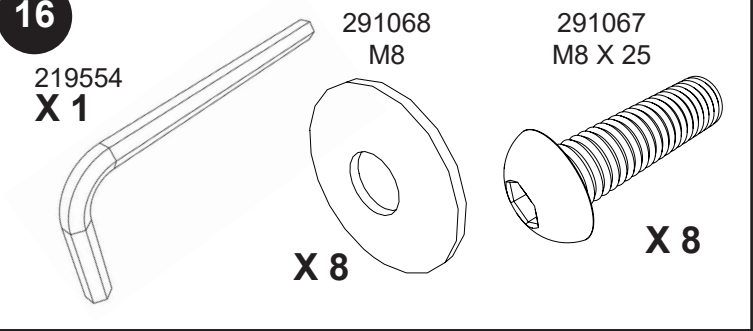
14



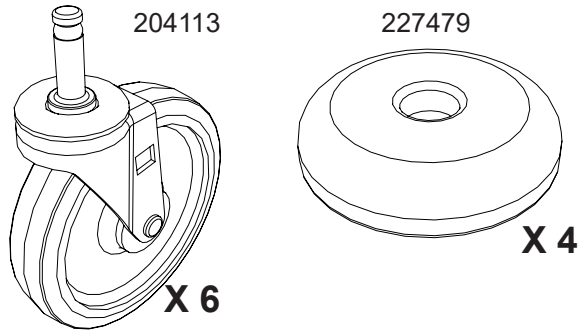
15



16

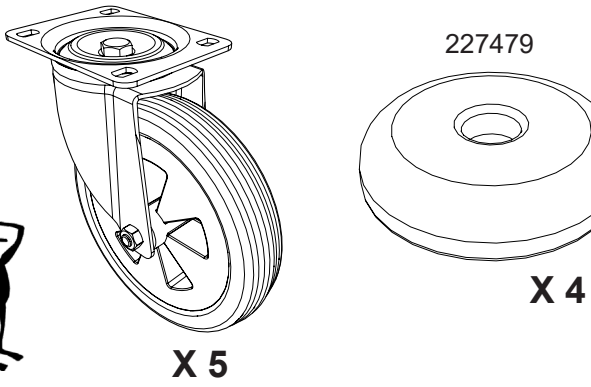


17

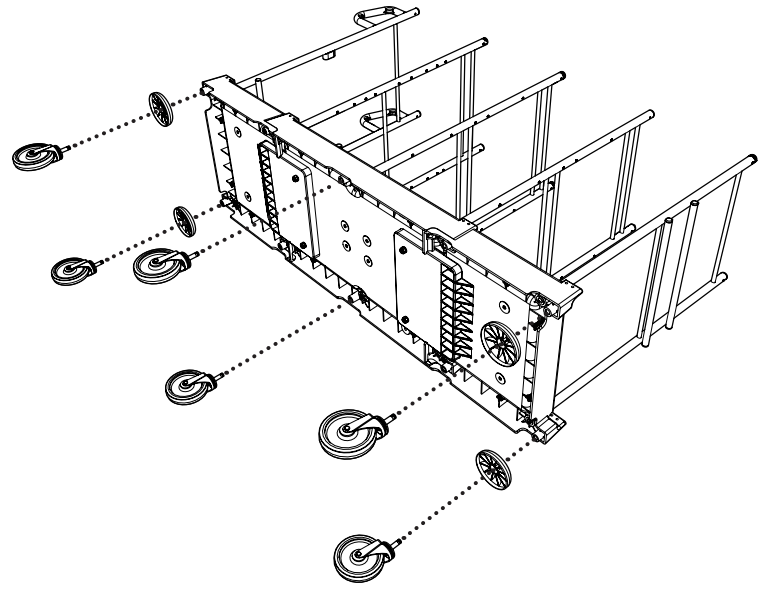


Page - 8-11

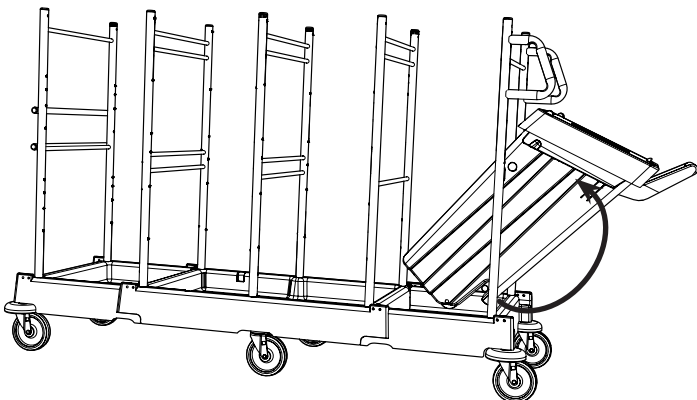
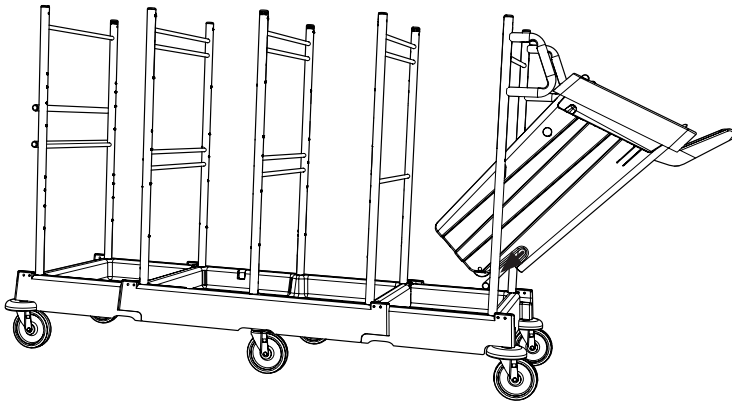
901814



18



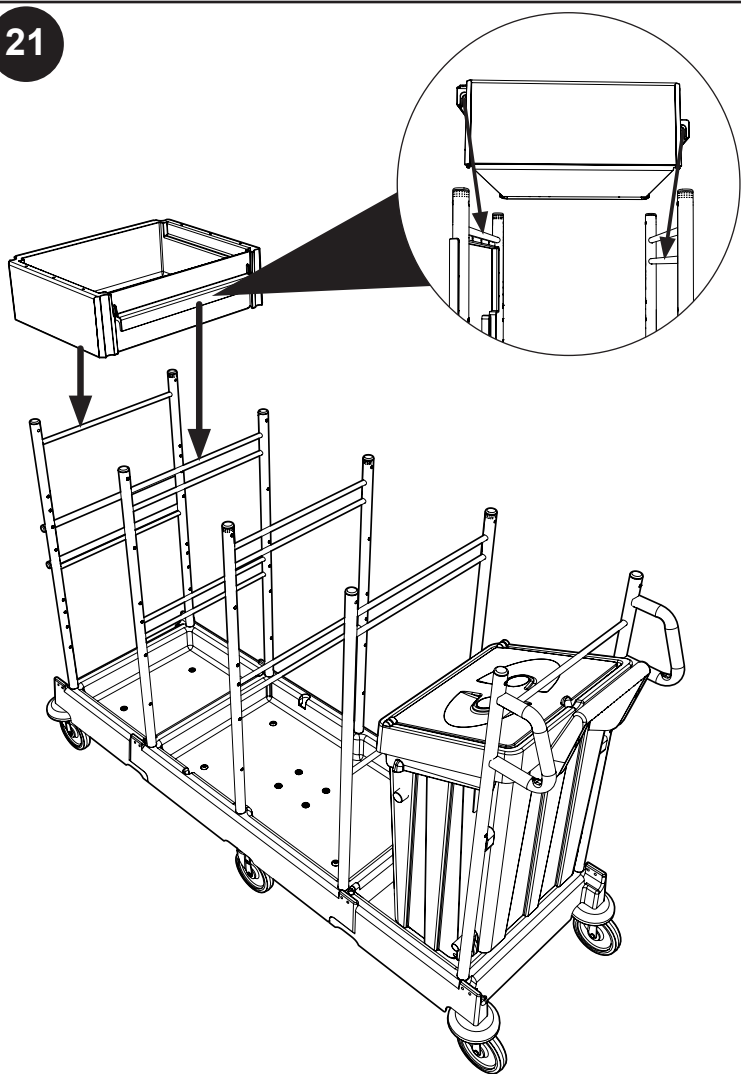
19



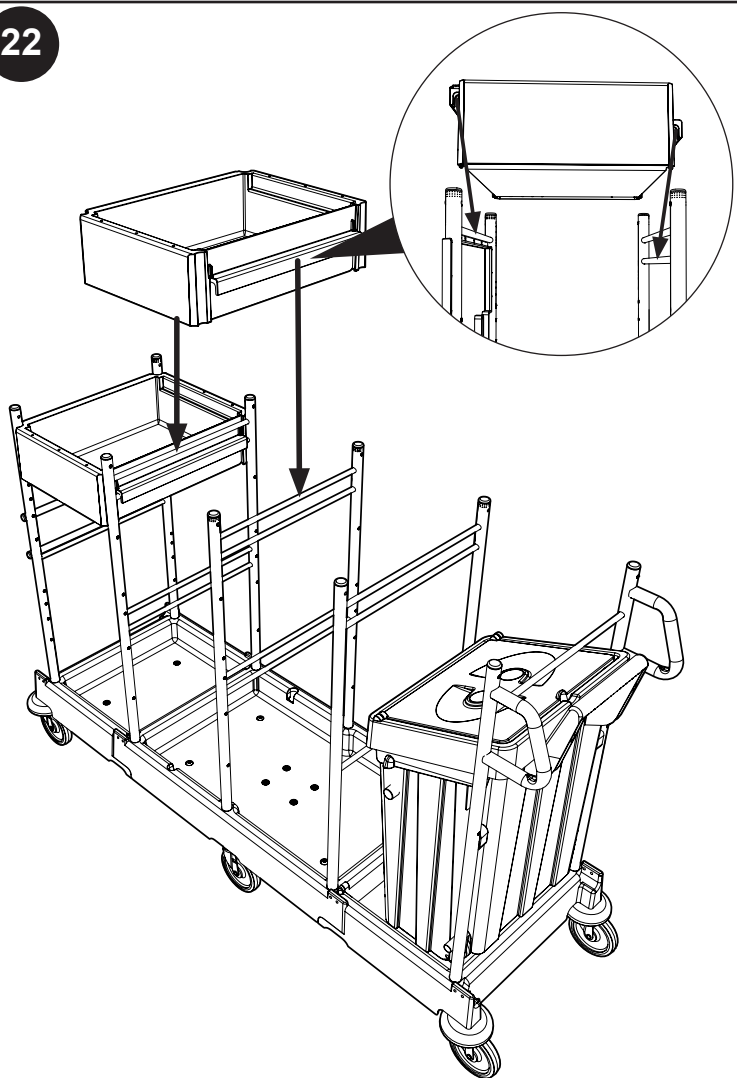
20



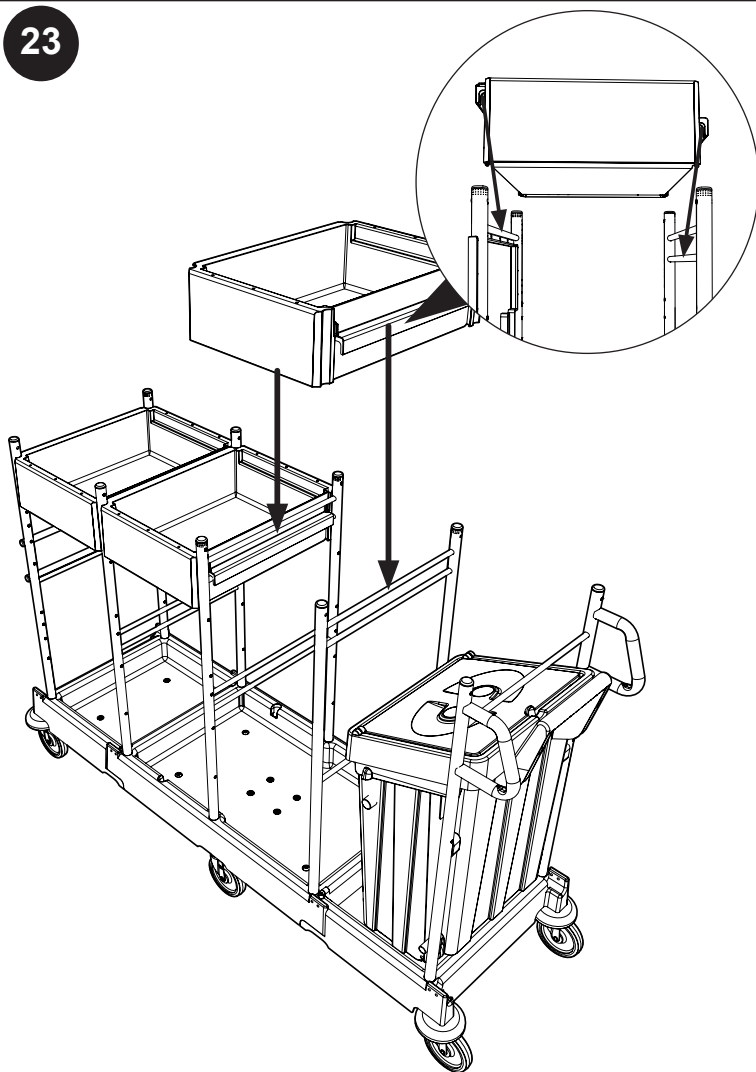
21



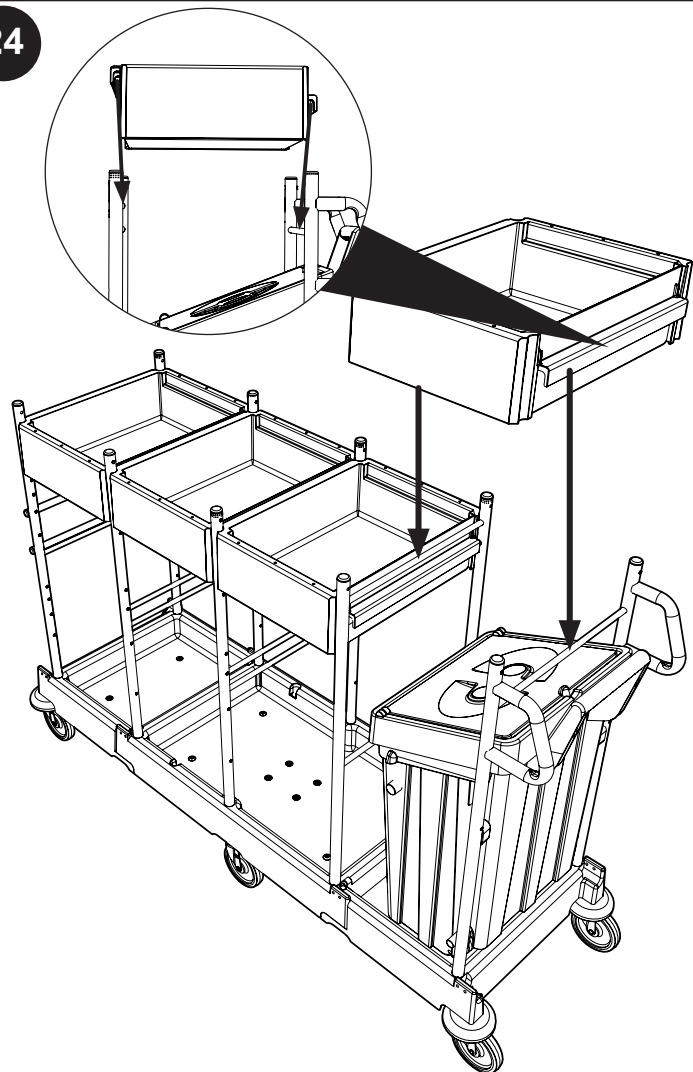
22



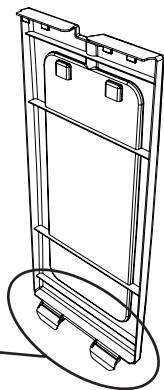
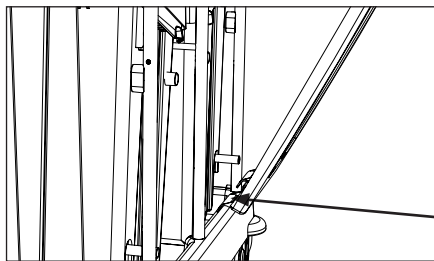
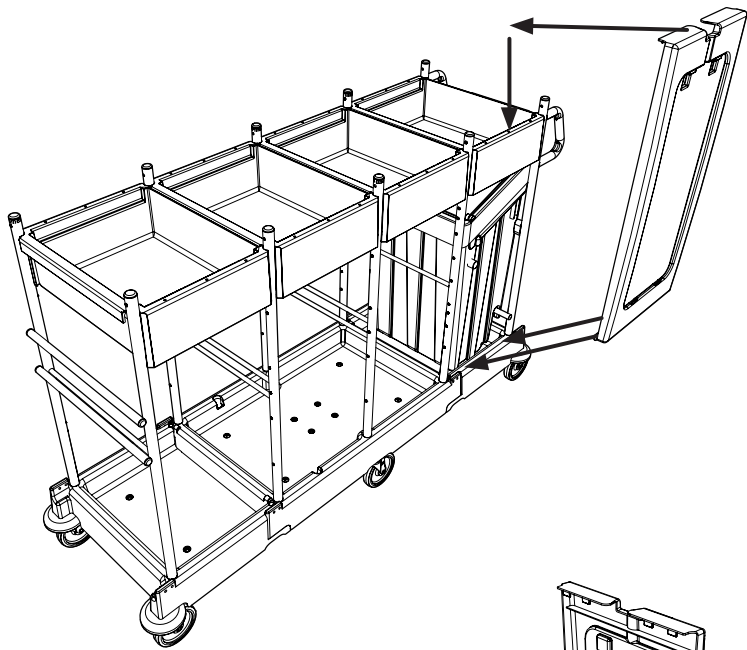
23



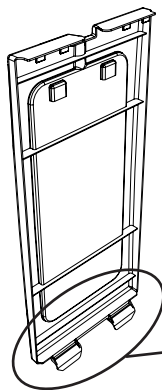
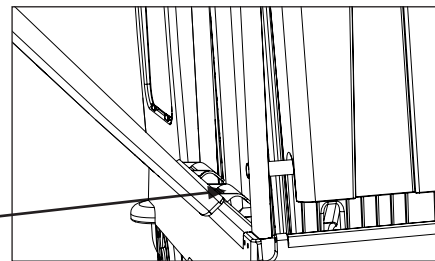
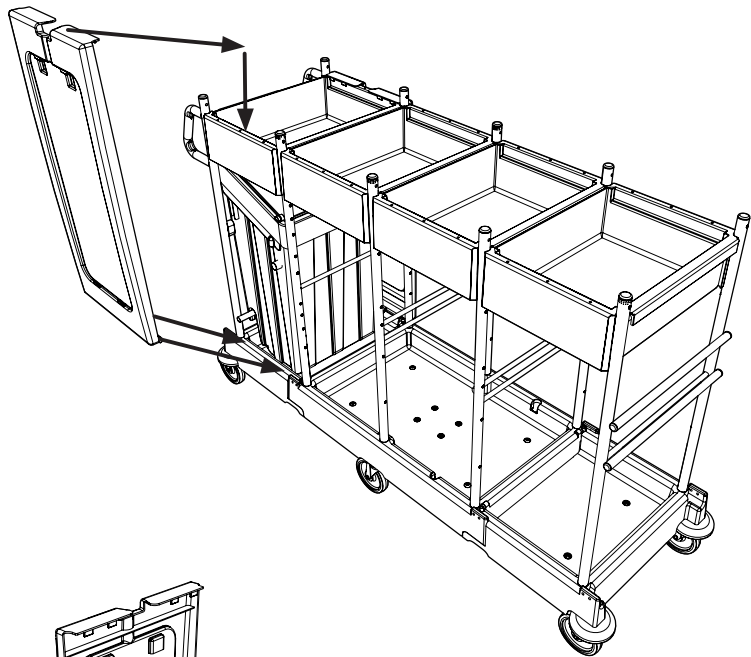
24



25

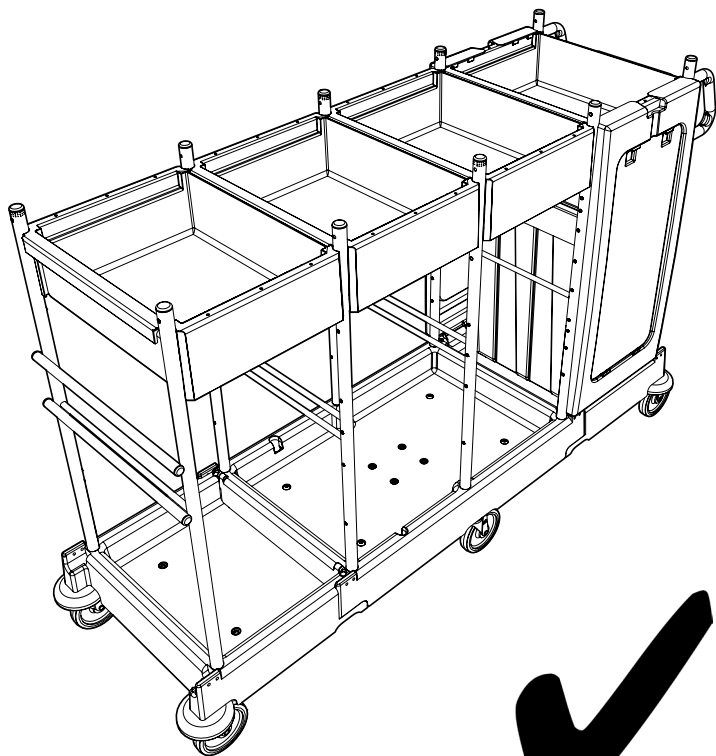


26



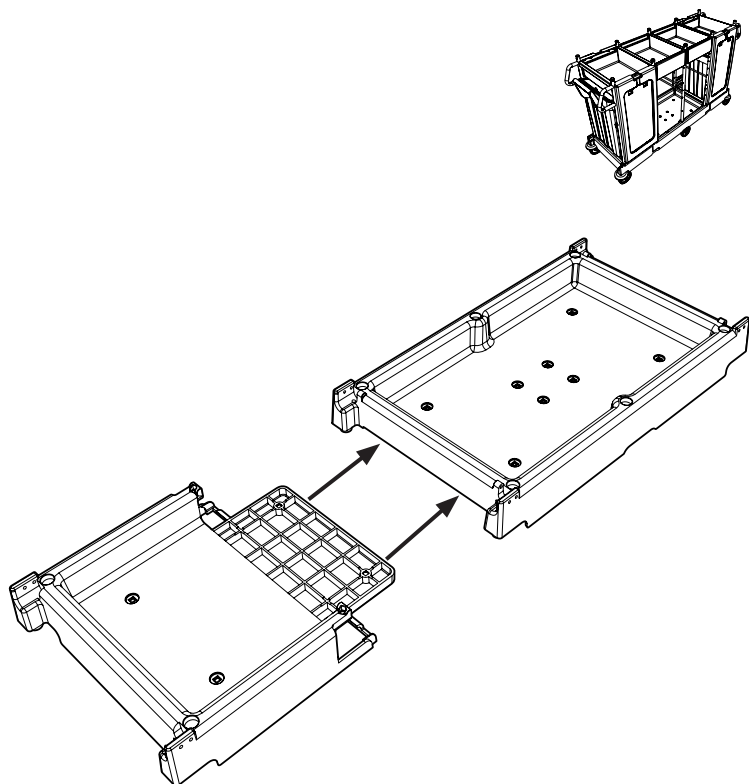
27

PM 31S

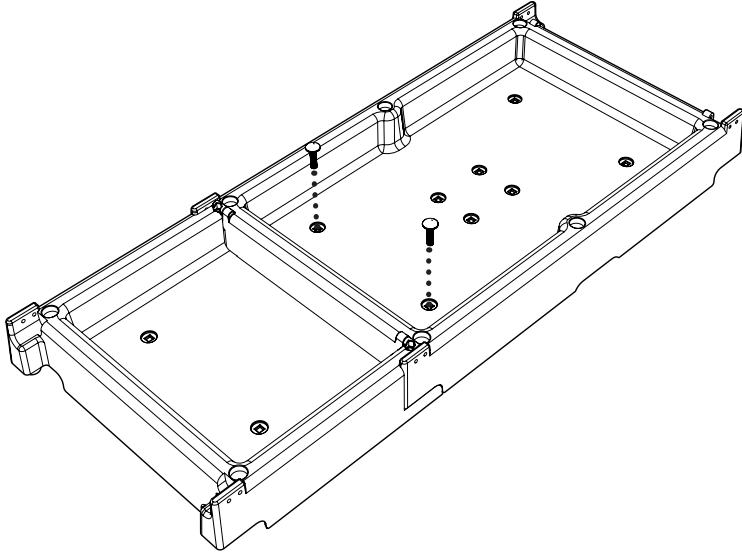
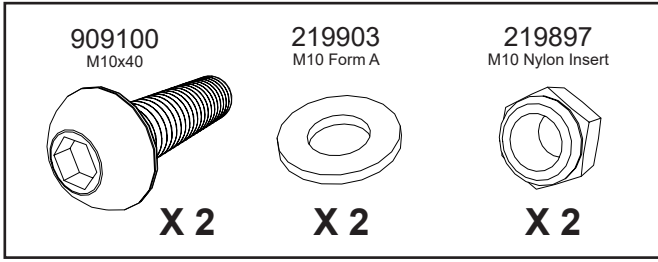


1

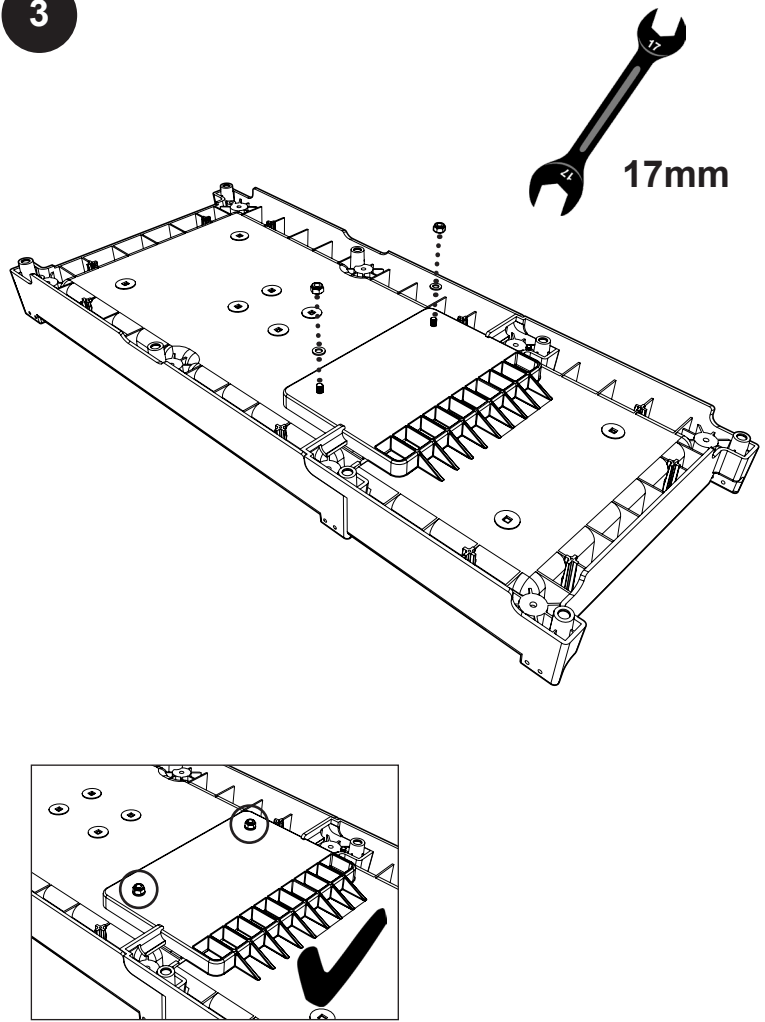
PM 32S Kit Boxes B / C / D



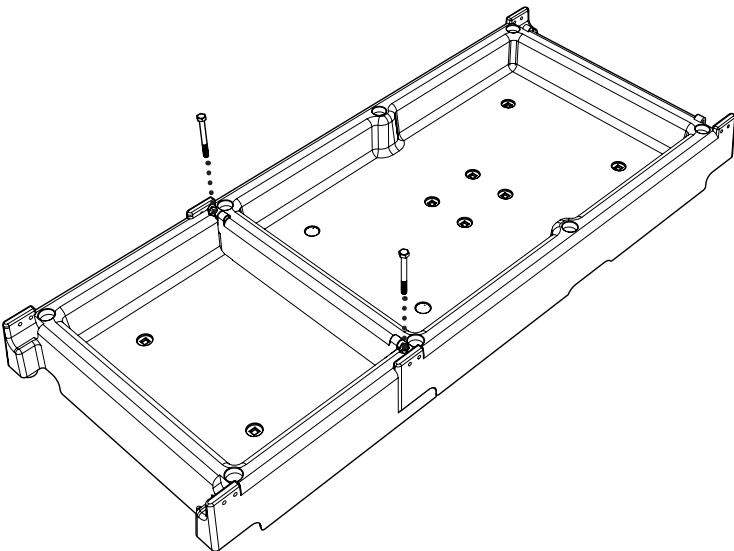
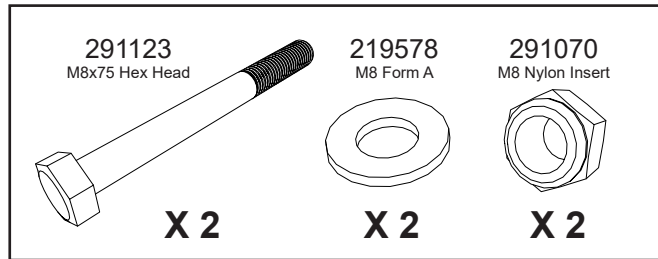
2



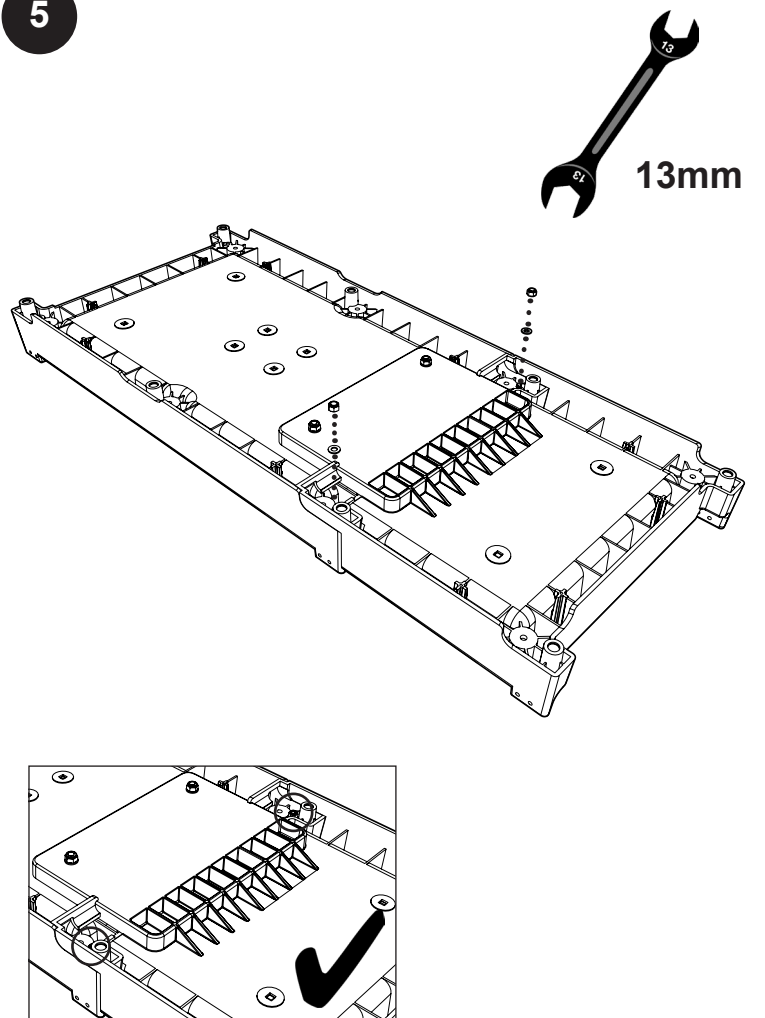
3



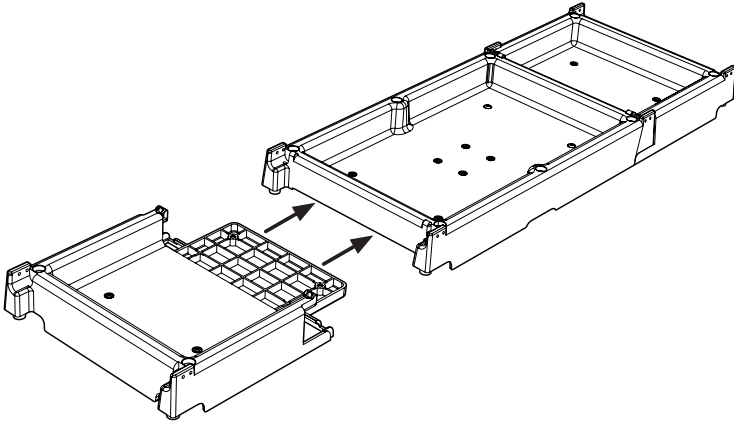
4



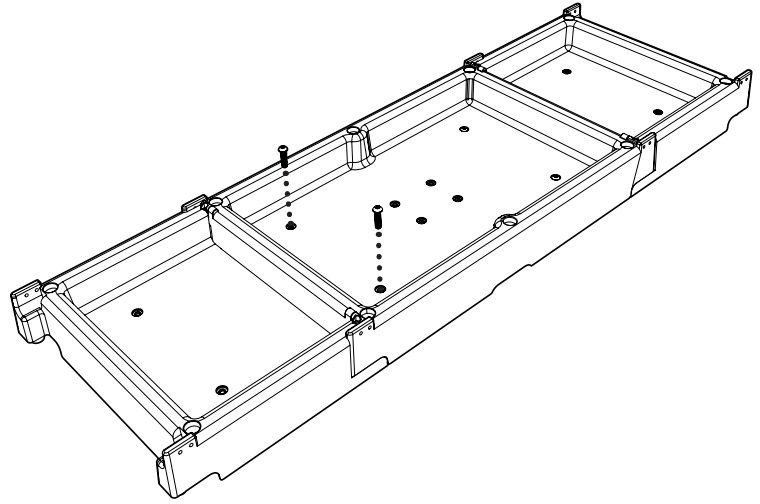
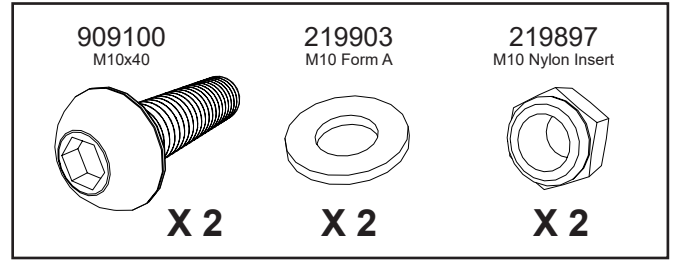
5



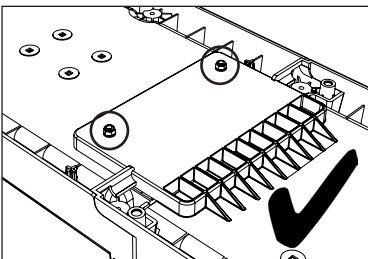
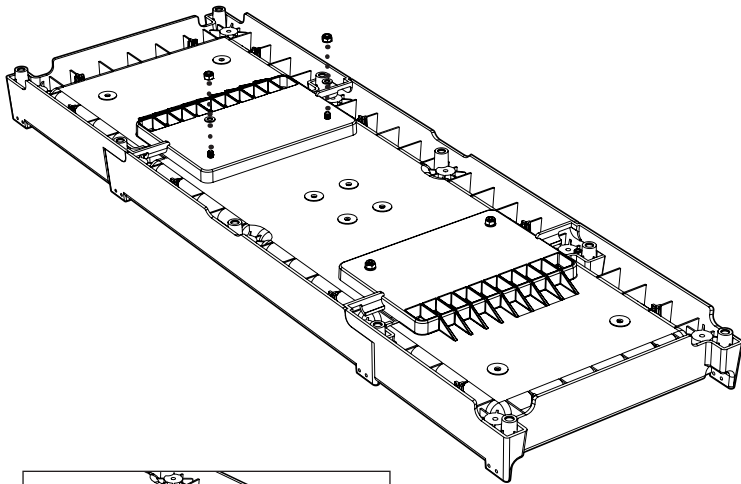
6



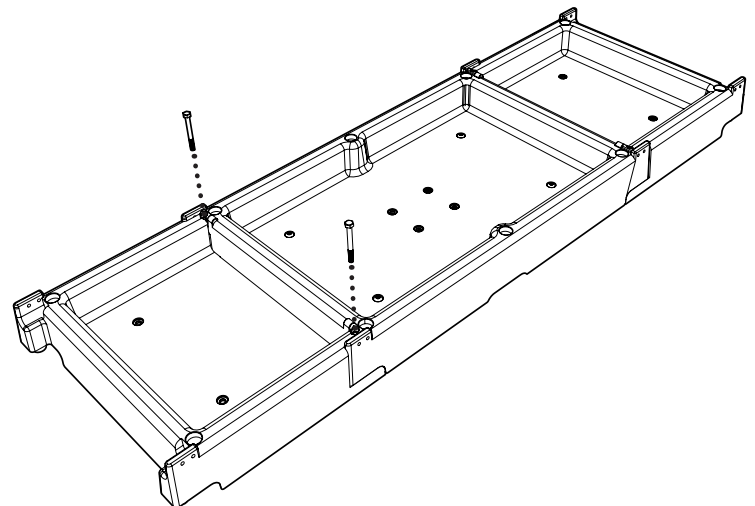
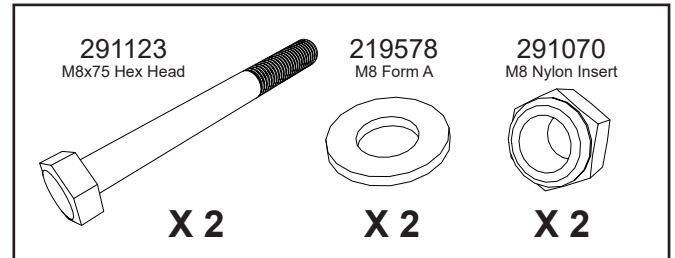
7



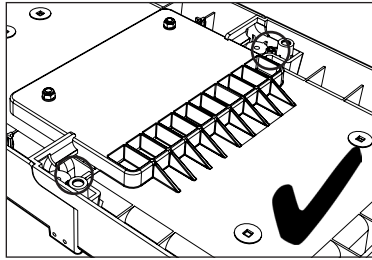
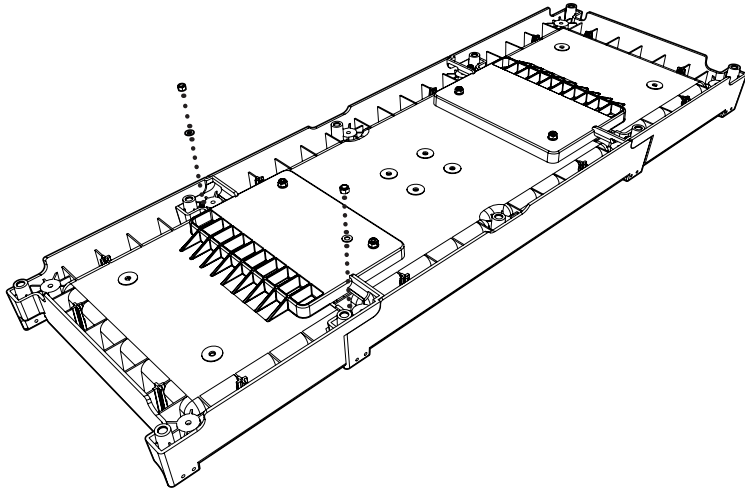
8



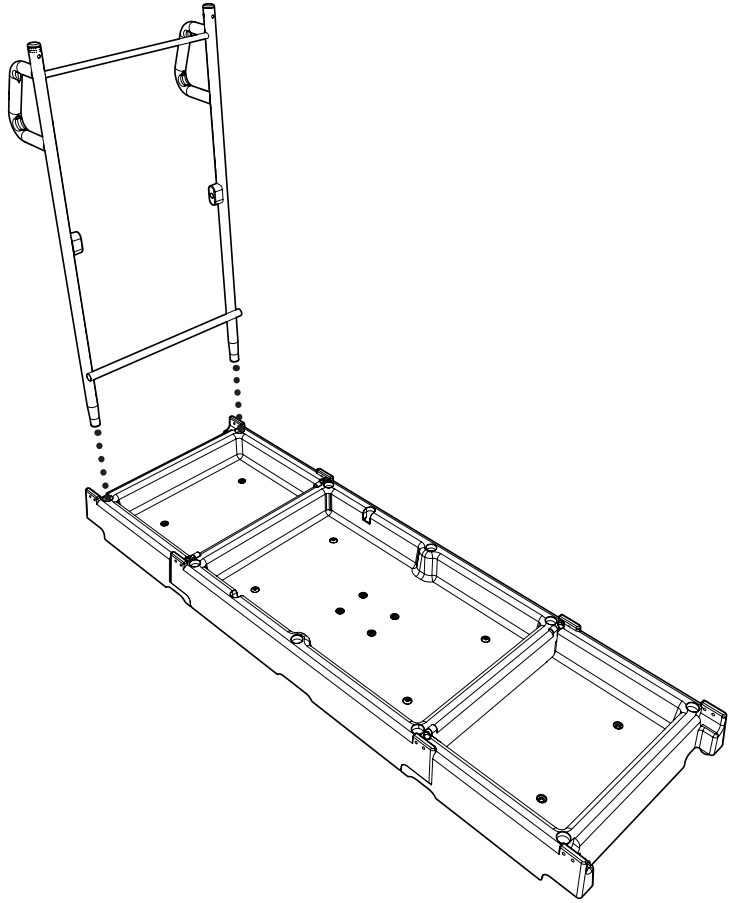
9



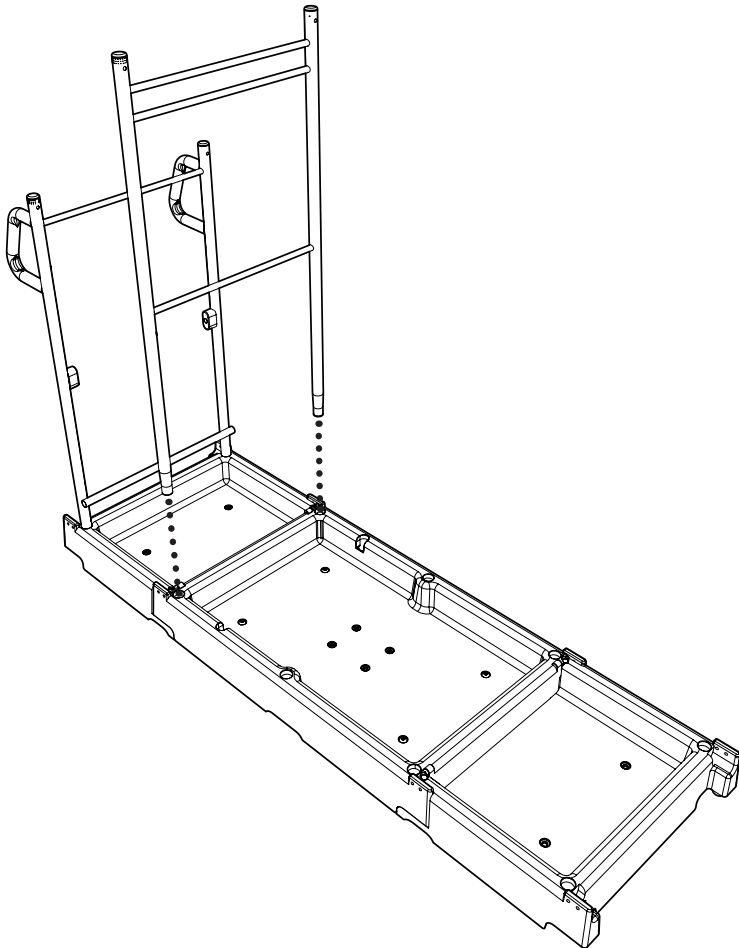
10



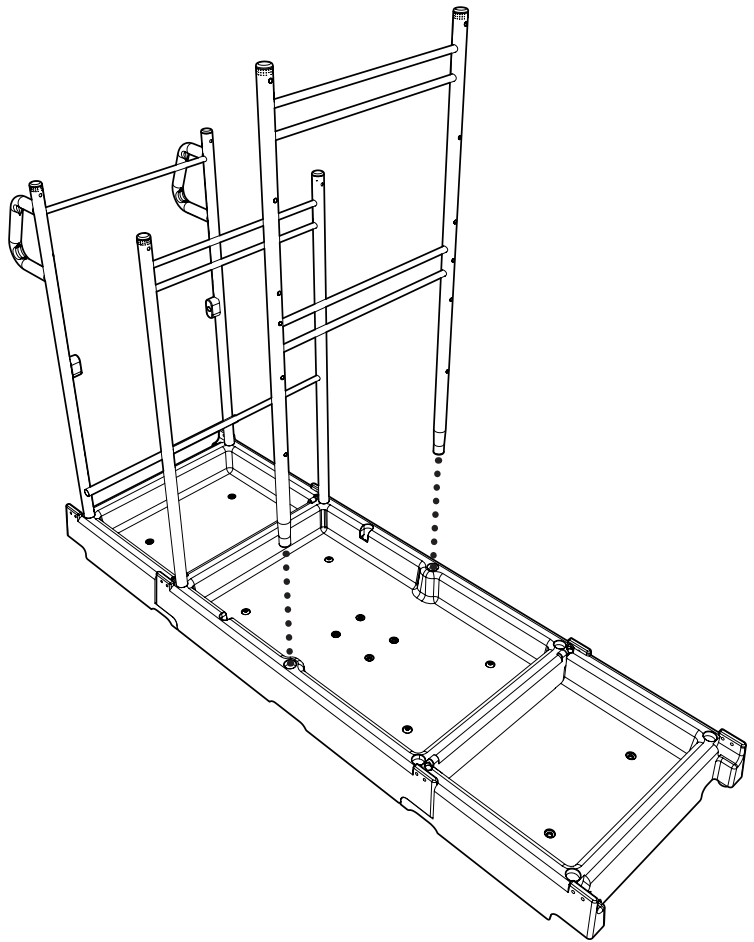
11



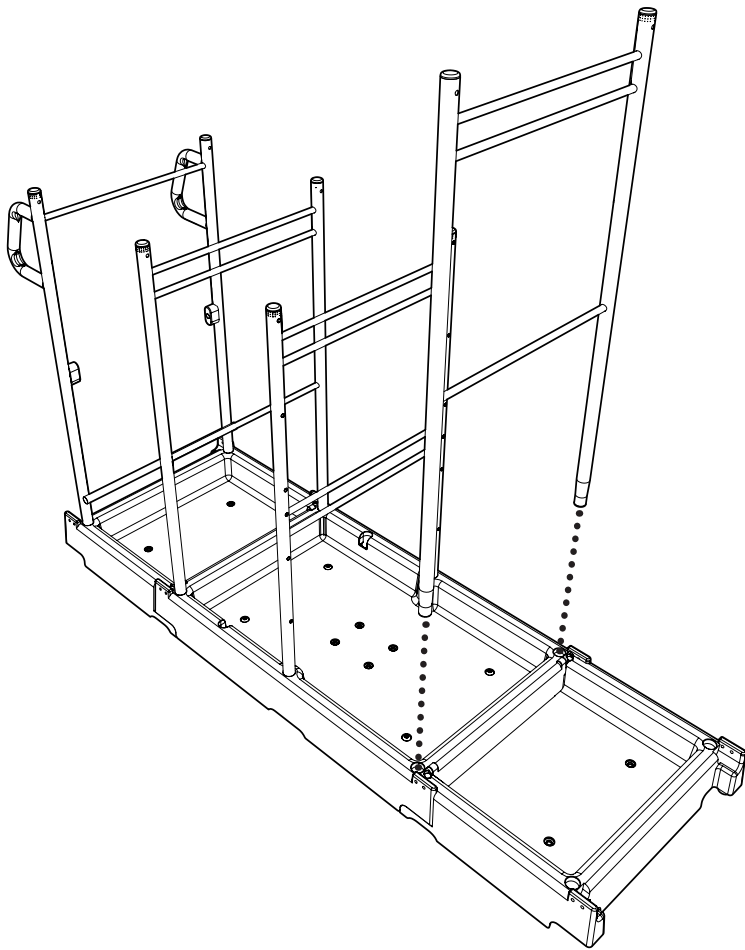
12



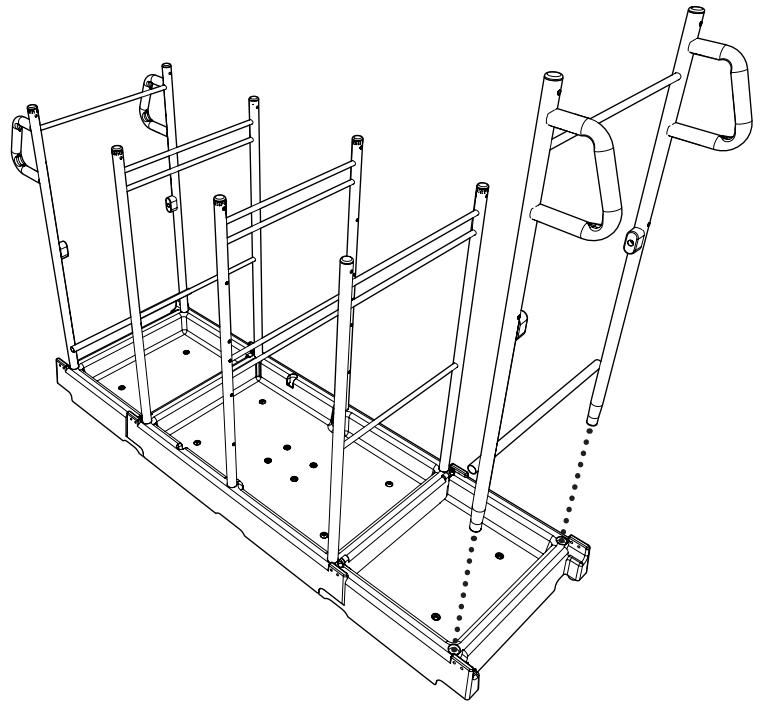
13



14

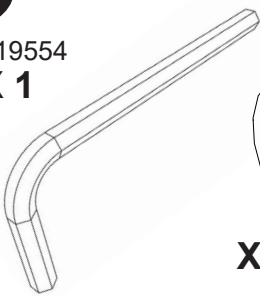


15



16

219554
X 1

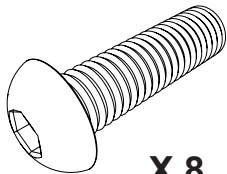


291068
M8

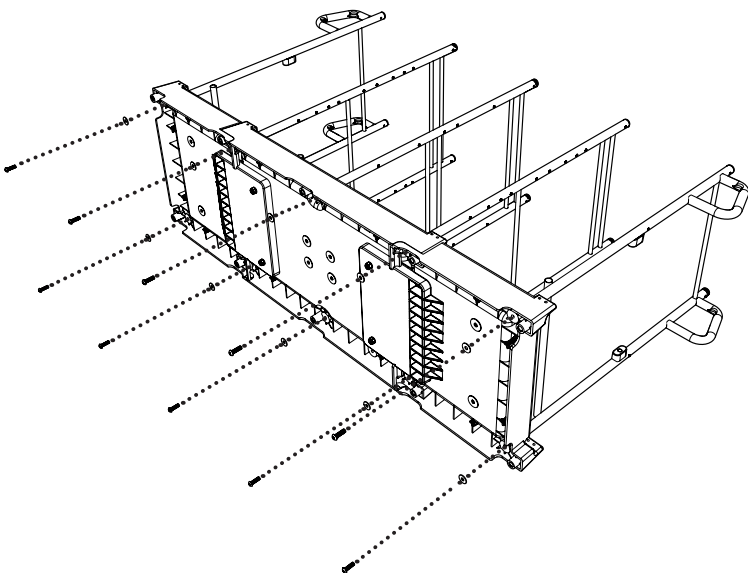


X 8

291067
M8 X 25

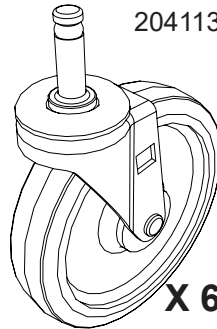


X 8



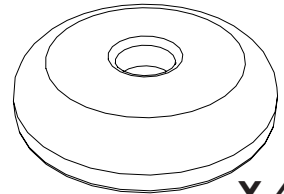
17

204113



X 6

227479

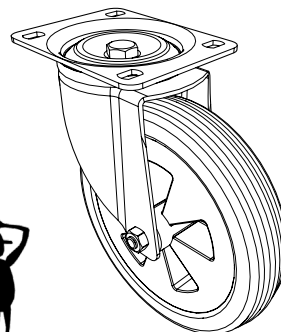


X 4



Page - 8-11

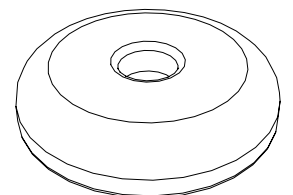
901814



X 5

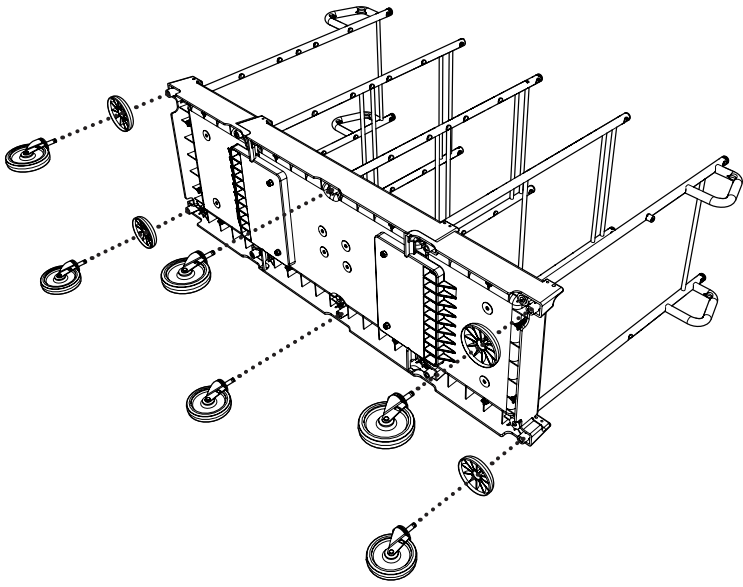


227479

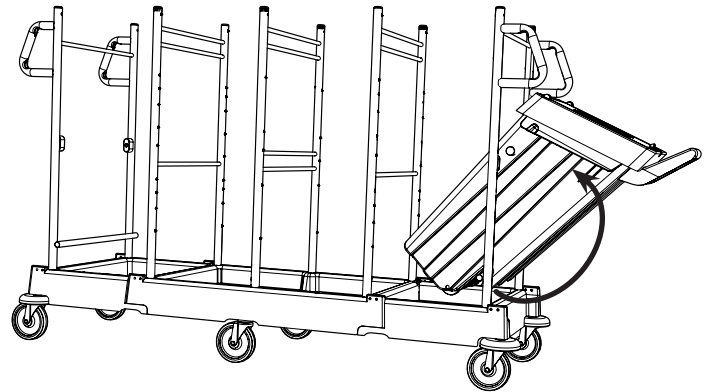
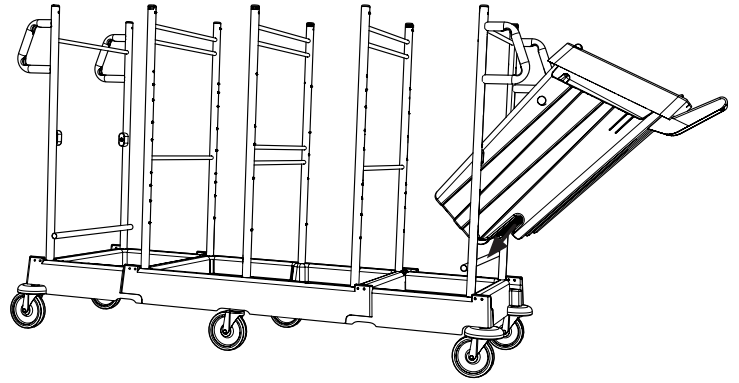


X 4

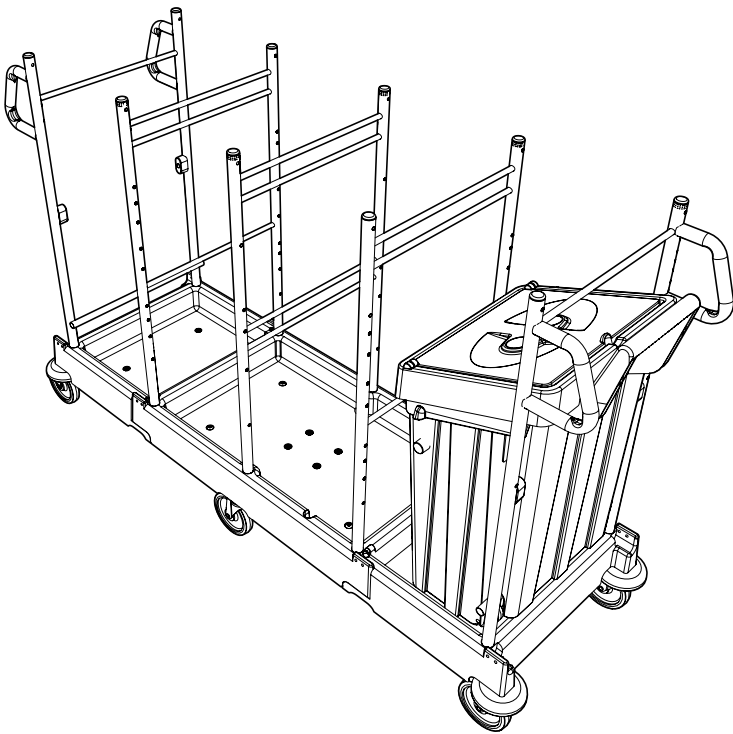
18



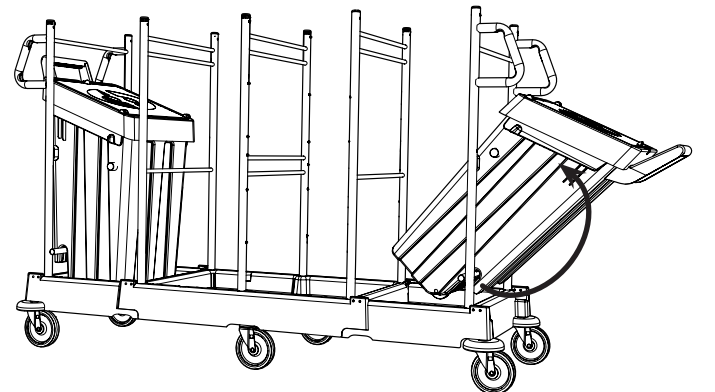
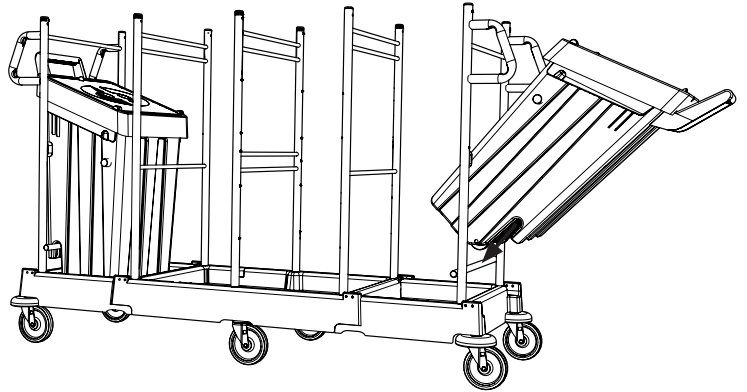
19



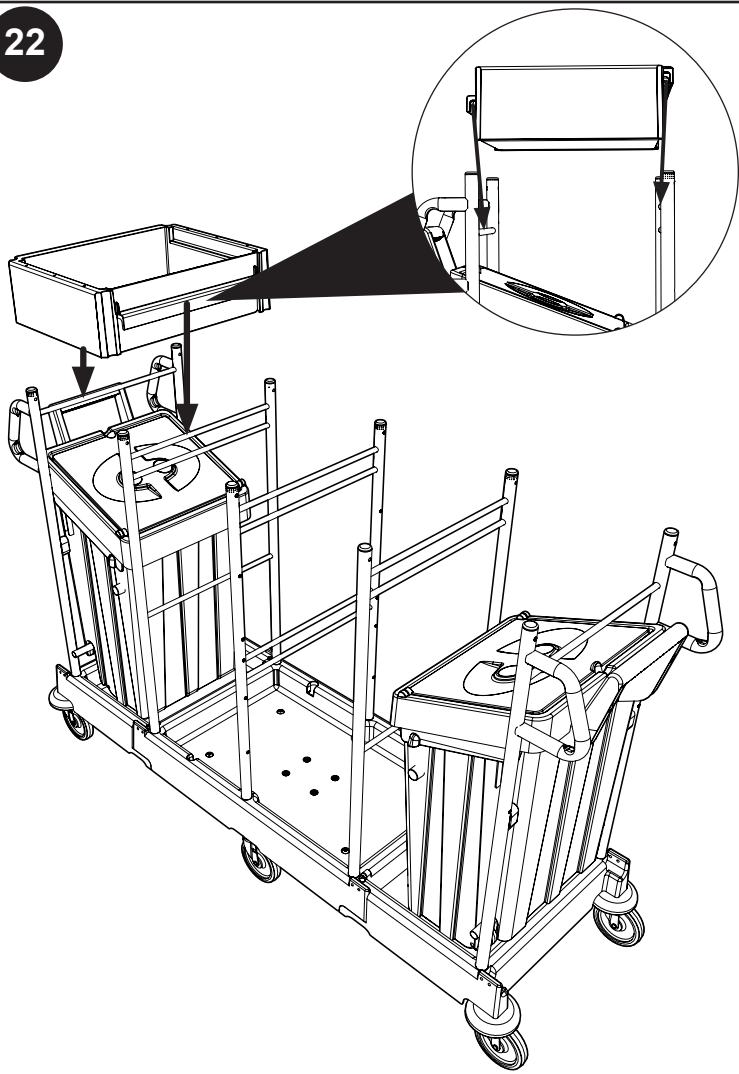
20



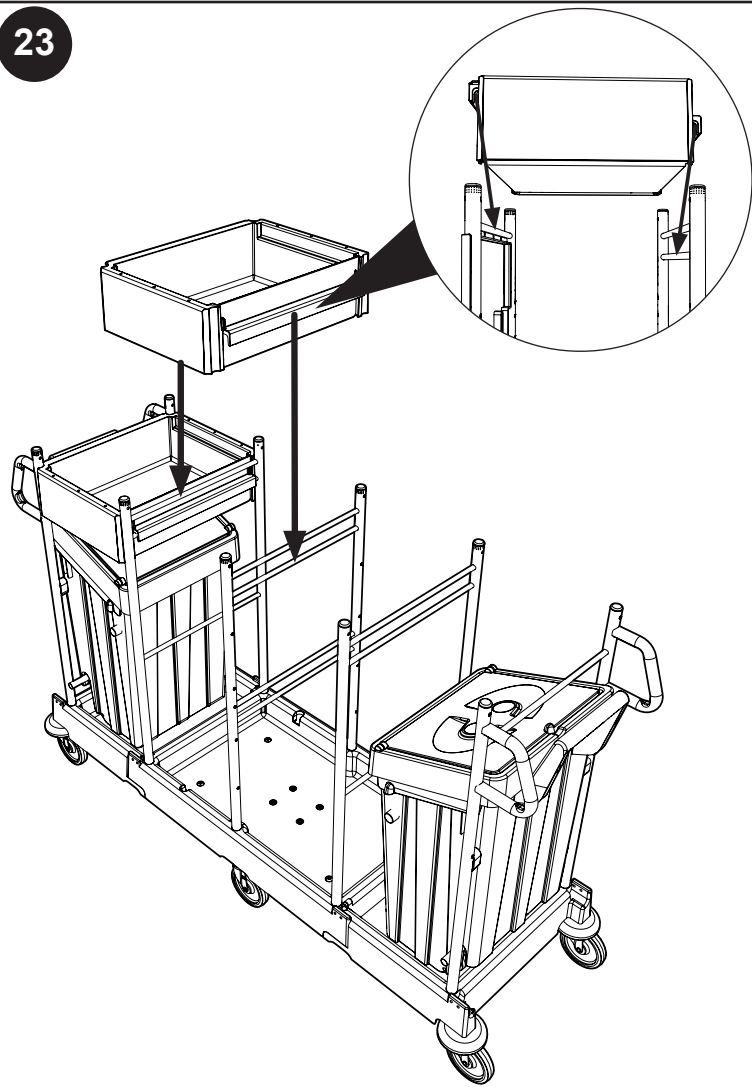
21



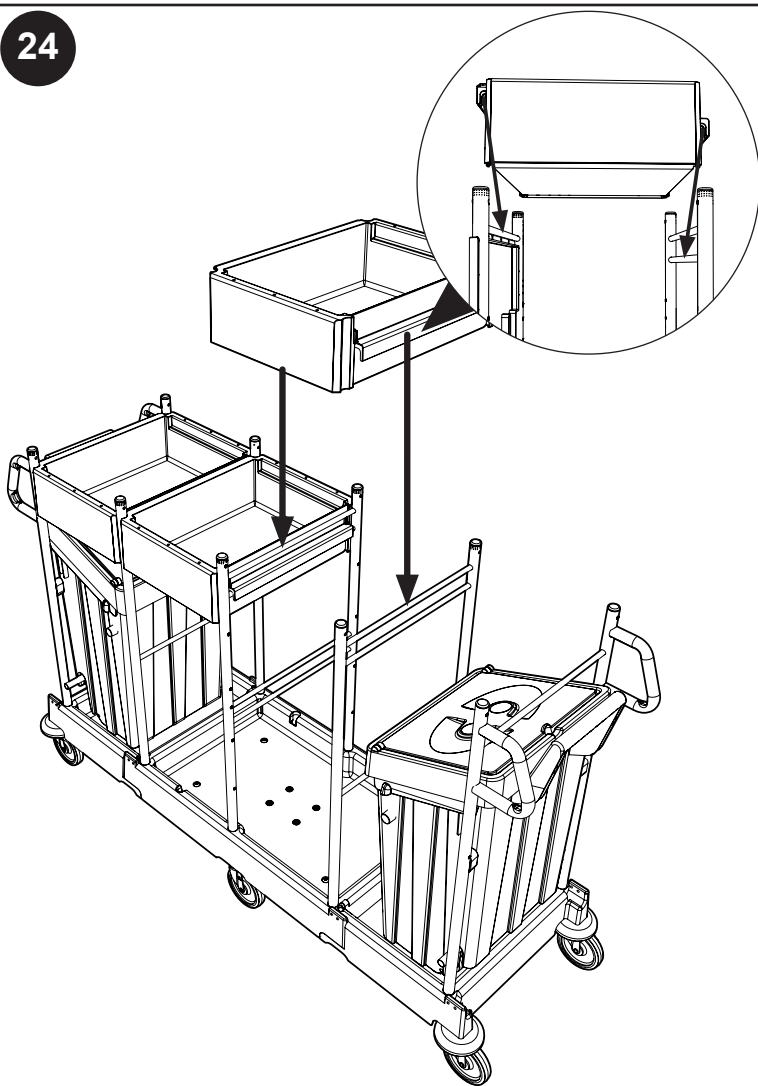
22



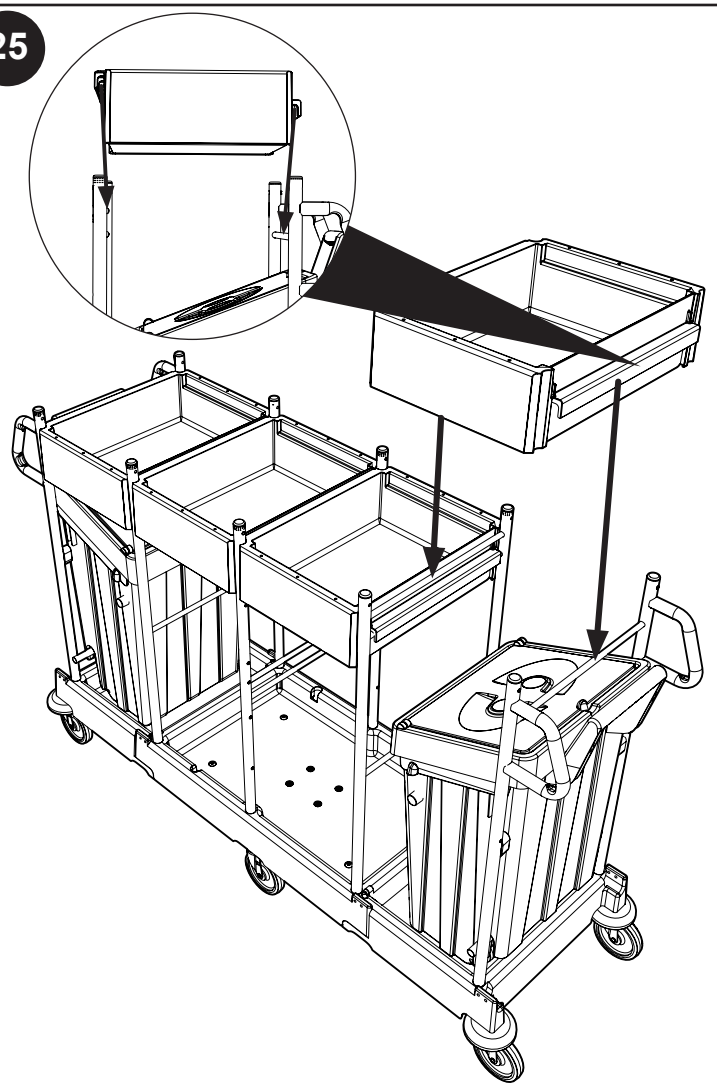
23



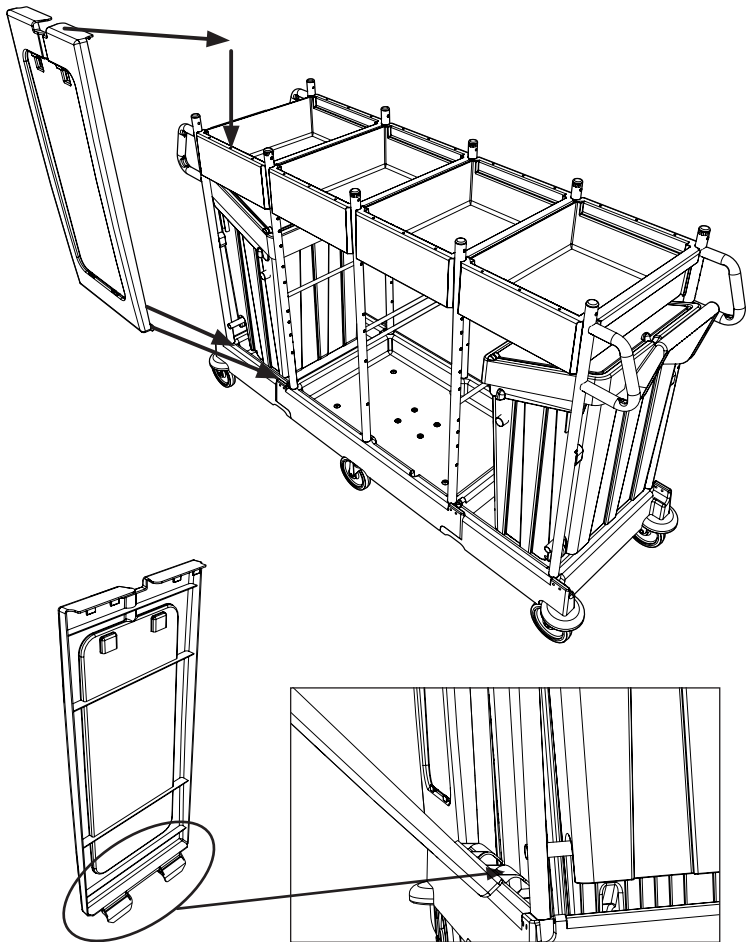
24



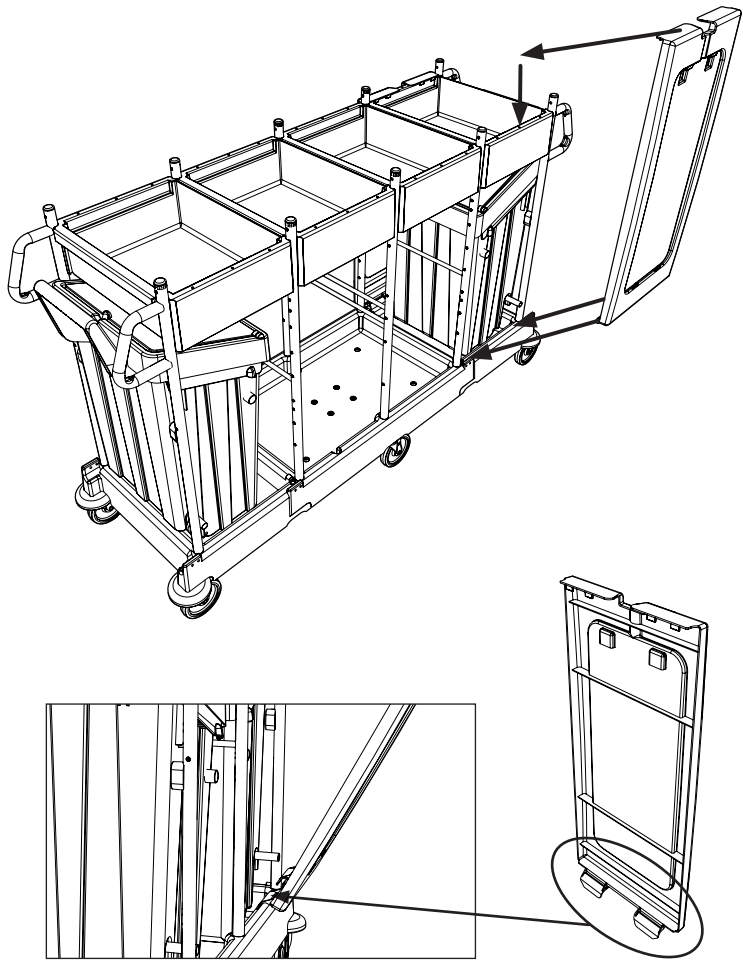
25



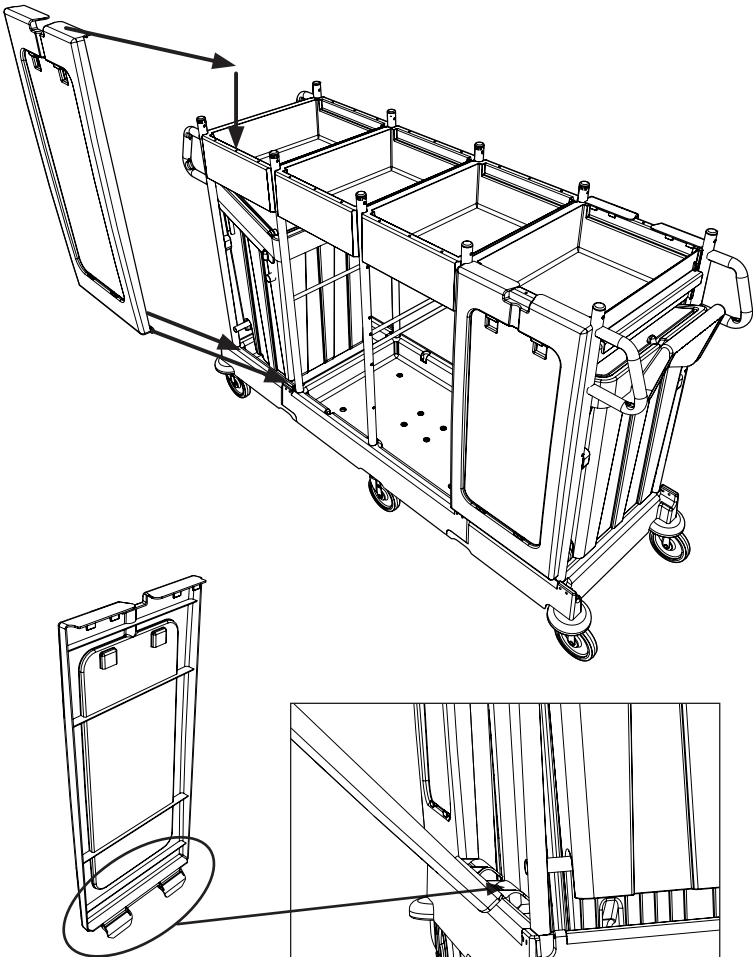
26



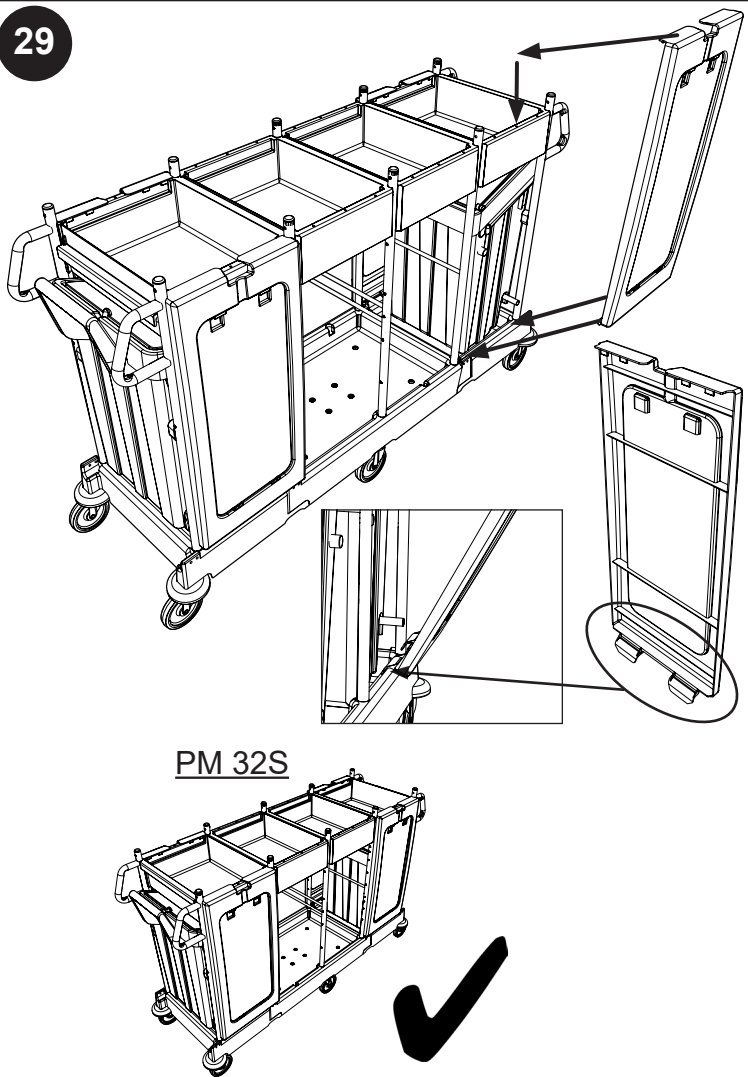
27



28

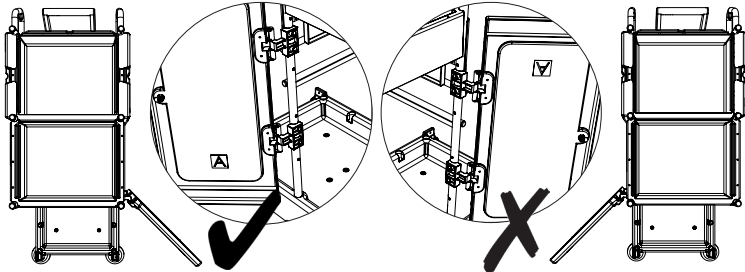
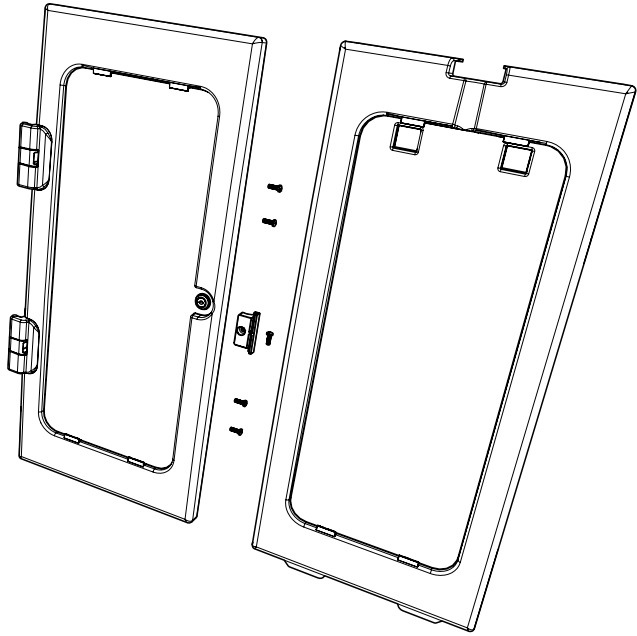


29

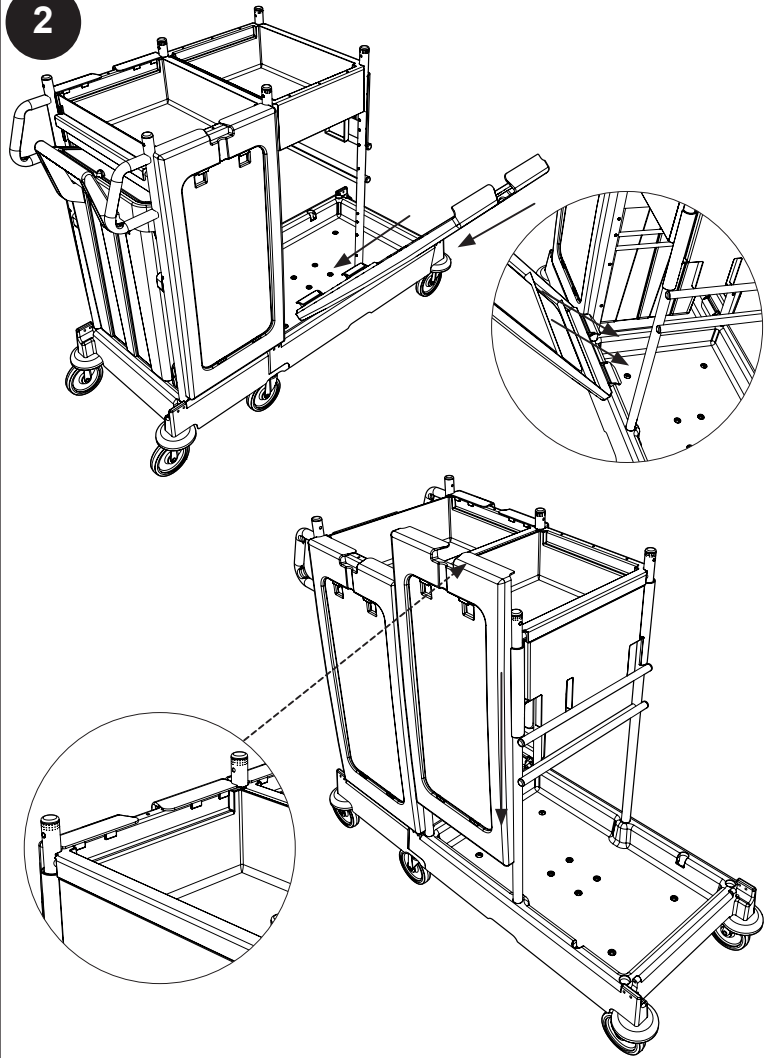


1

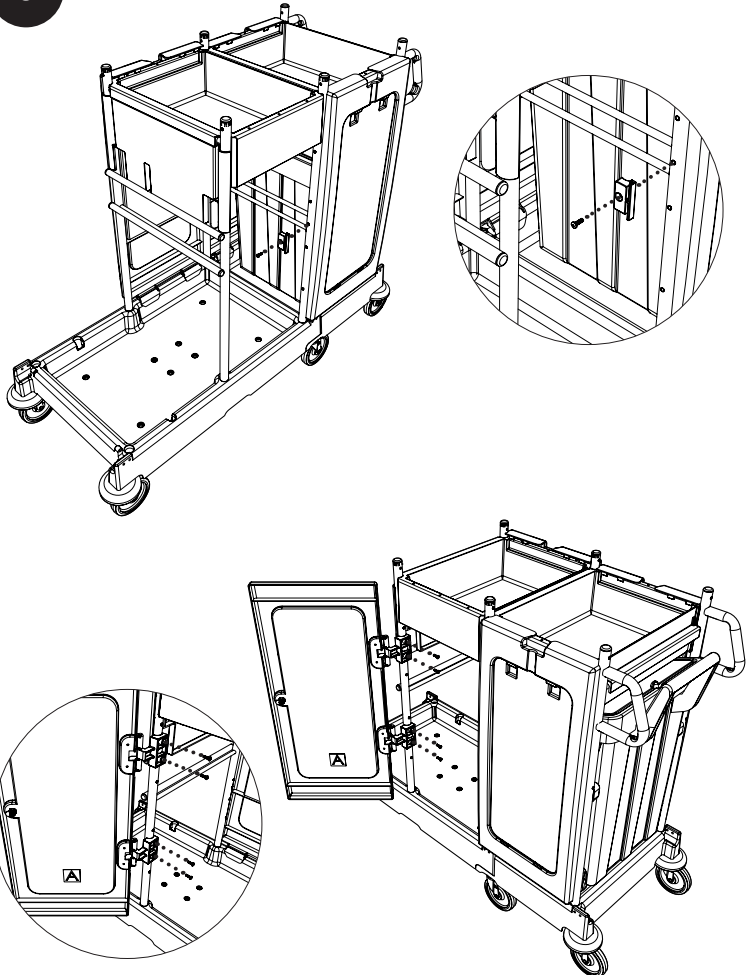
Kit SRK 30



2

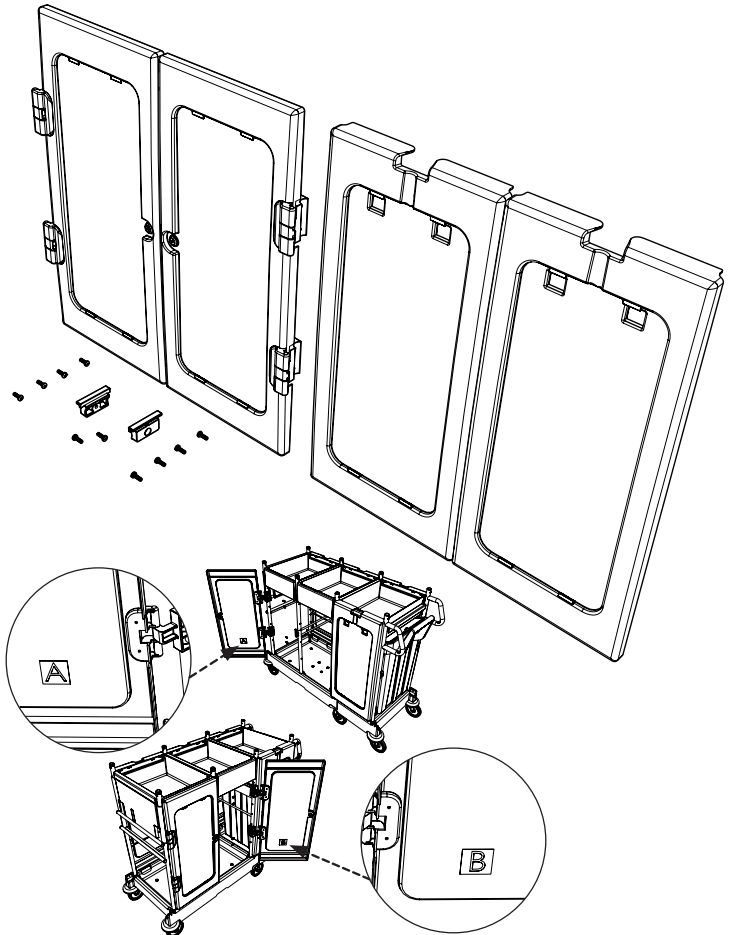


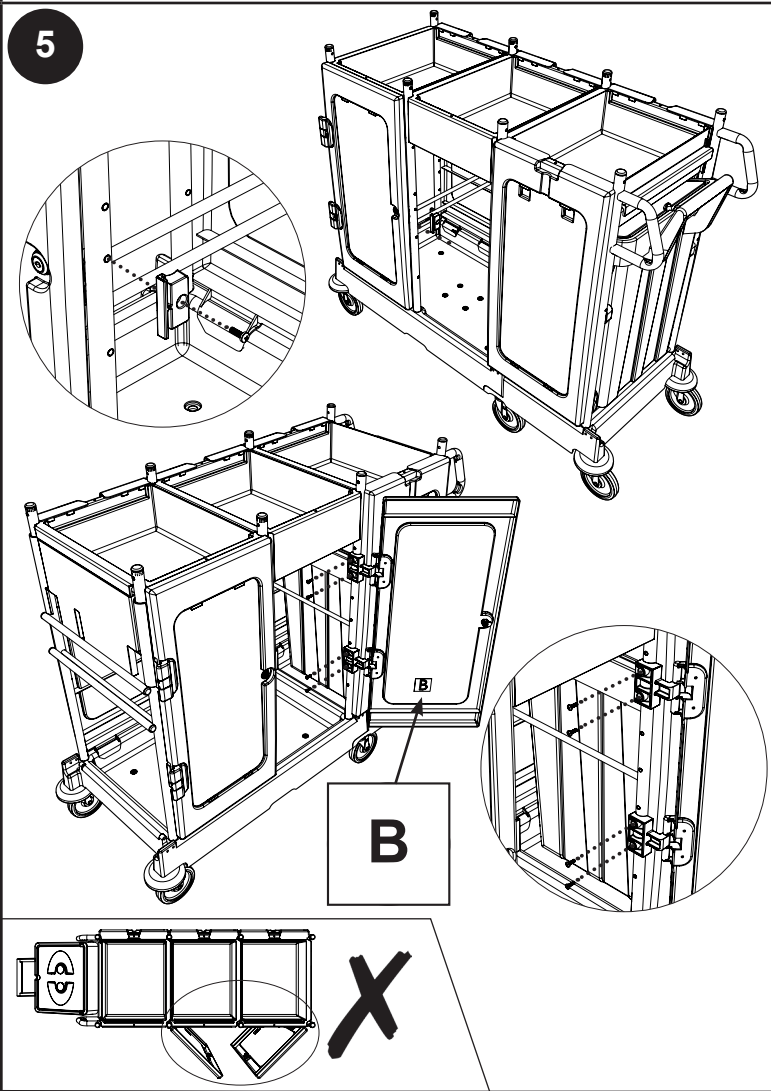
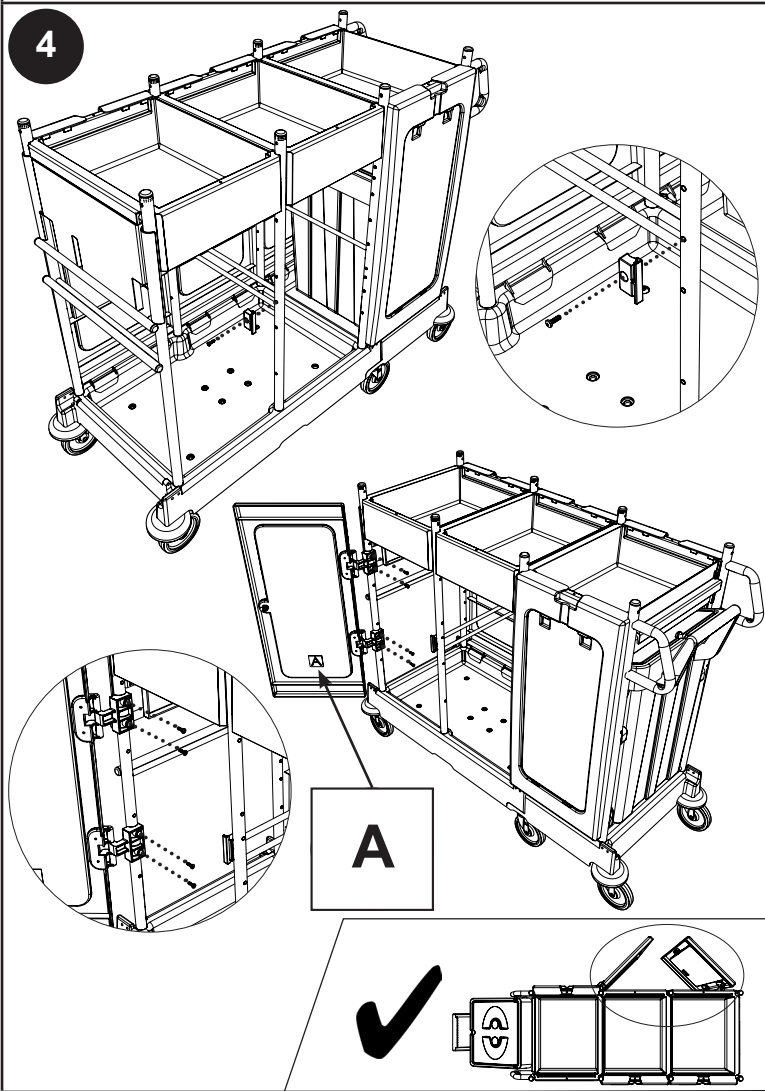
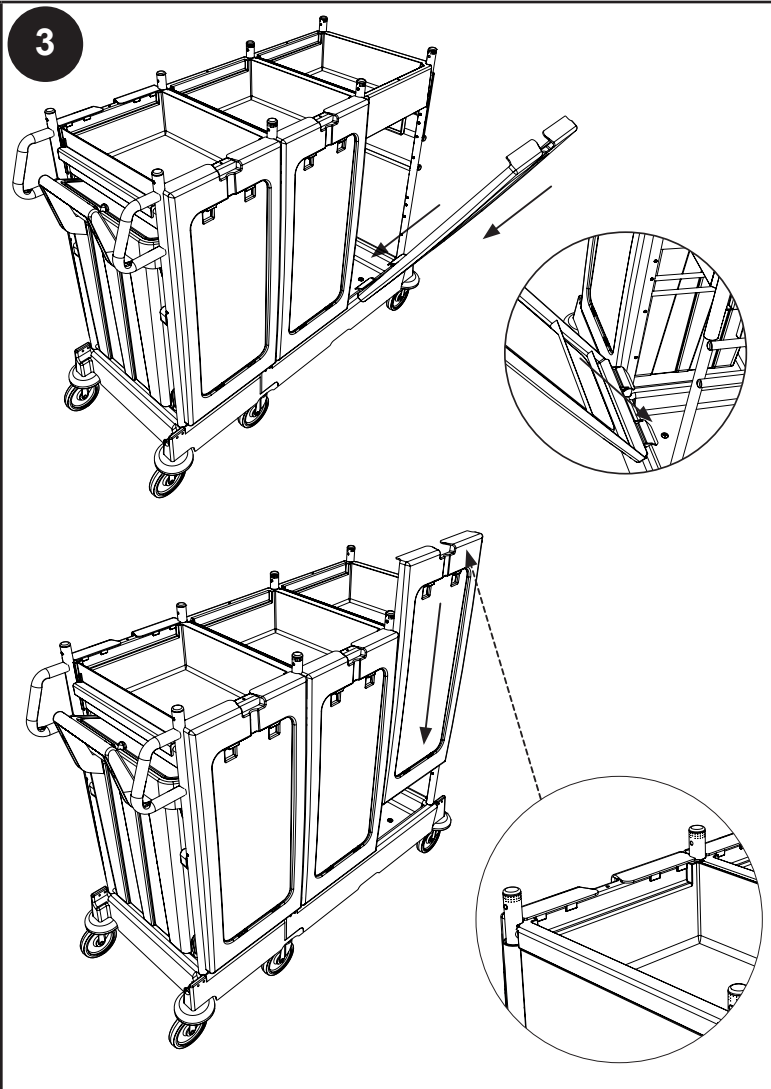
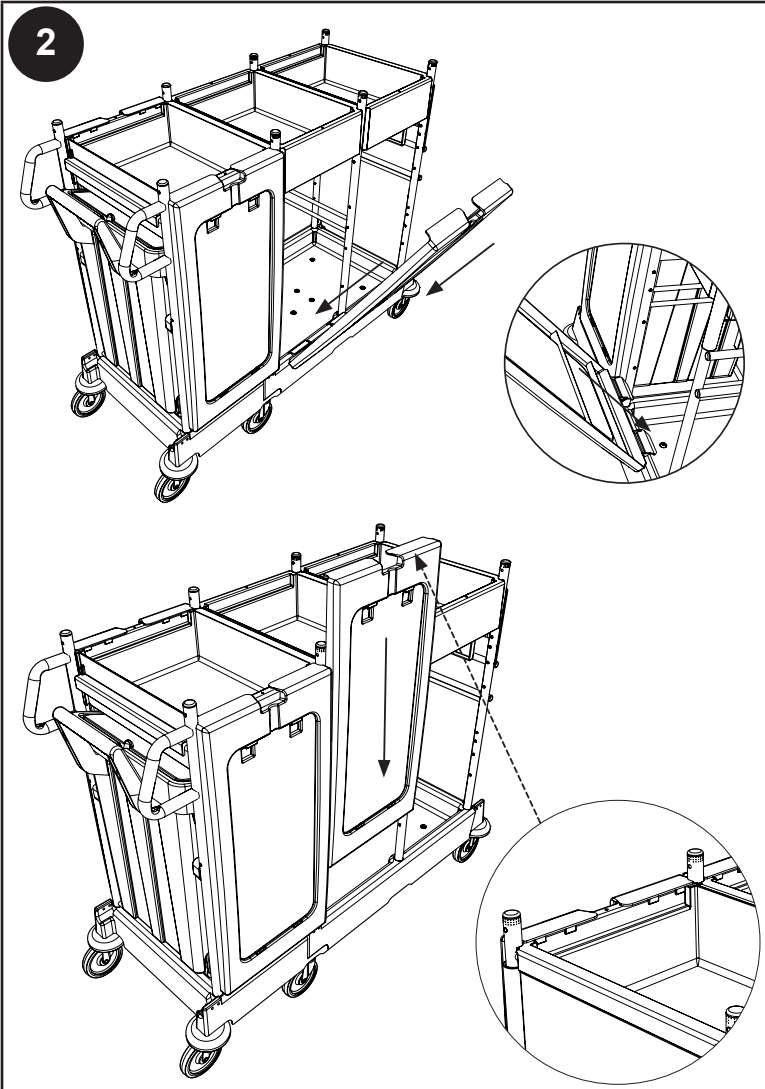
3

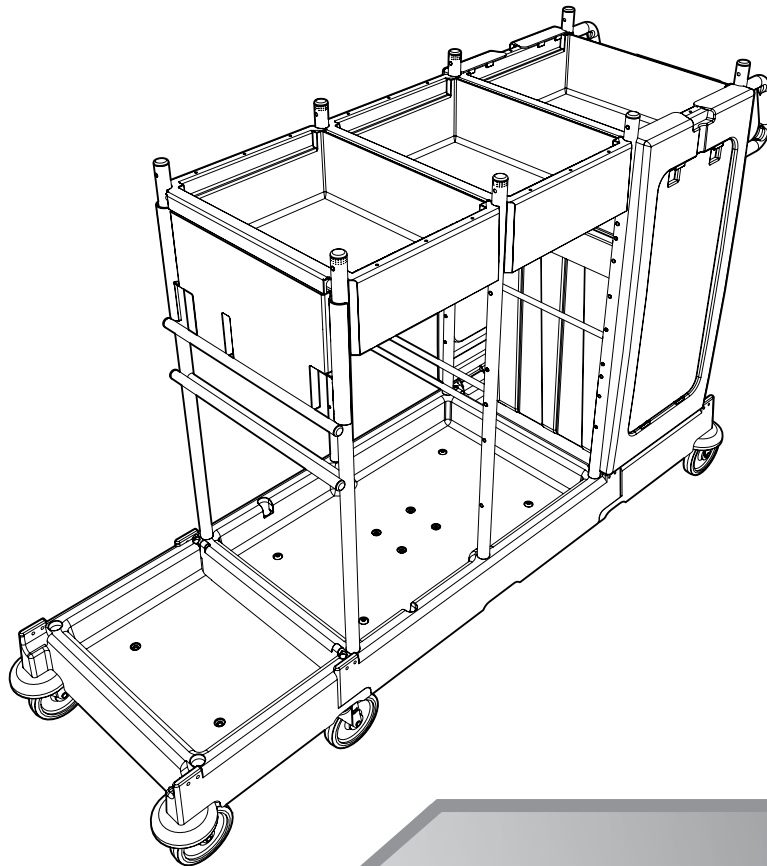
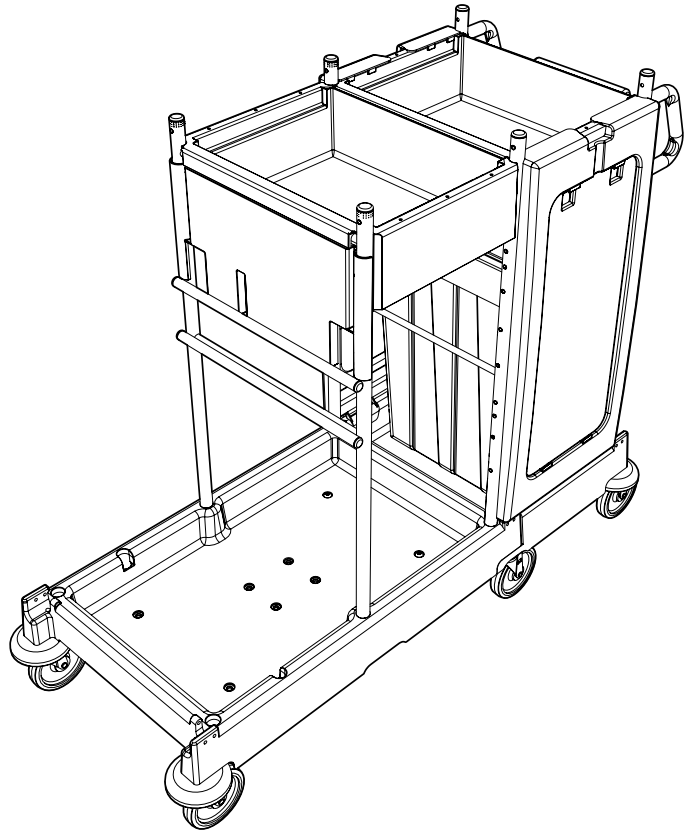
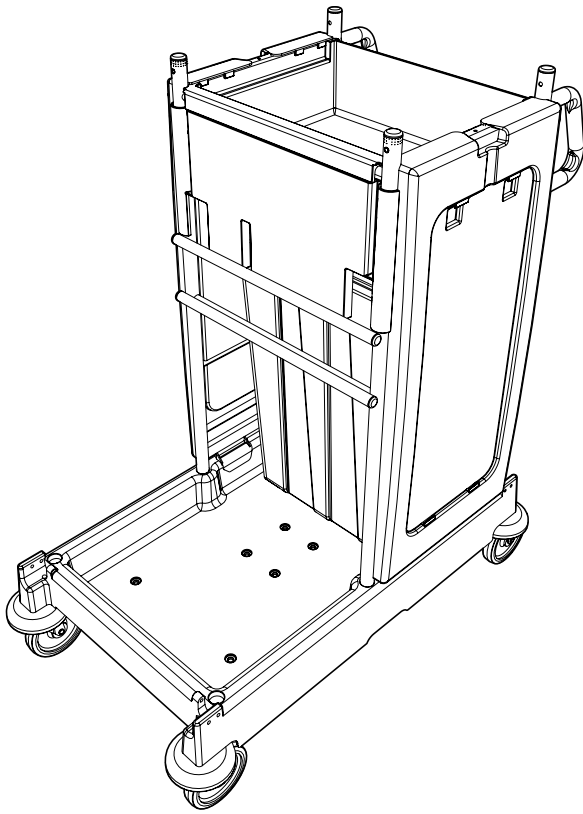


1

Kit SRK 31







Numatic